

# HC-D25-HCWS-PL-BK - Protective cover



1346523

<https://www.phoenixcontact.com/us/products/1346523>

Please be informed that the data shown in this PDF document is generated from our online catalog. Please find the complete data in the user documentation. Our general terms of use for downloads are valid.

Protective cover D25, with single locking latch, protective cover material: PC, height: 15.5 mm, seal: no



## Commercial data

Item number	1346523
Packing unit	1 pc
Minimum order quantity	1 pc
Sales key	BF66
Product key	AF7AZC
GTIN	4063151659479
Weight per piece (including packing)	30.1 g
Weight per piece (excluding packing)	26.6 g
Customs tariff number	85389099
Country of origin	CN

# HC-D25-HCWS-PL-BK - Protective cover

1346523

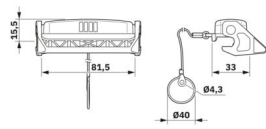
<https://www.phoenixcontact.com/us/products/1346523>

## Technical data

### Product properties

Product type	Protective cover
Housing type	Protective cover
Type	D25
Retaining cord present	yes
Seal present	no

### Dimensions

Dimensional drawing	
Width	33 mm
Height	15.5 mm
Length	81.5 mm
Diameter Retaining cord eyelet	40 mm

### Material specifications

Material Protective cover	PC
Flammability rating according to UL 94	V0
Material, protective cover	PC

### Environmental and real-life conditions

#### Ambient conditions

Degree of protection	IP66
Ambient temperature (operation)	-40 °C ... 125 °C
Resistance to UV radiation	yes

### Mounting

Assembly note	Double eyelet for mounting on a cable / below screw head
	Plastic protective cover for short-term protection

# HC-D25-HCWS-PL-BK - Protective cover

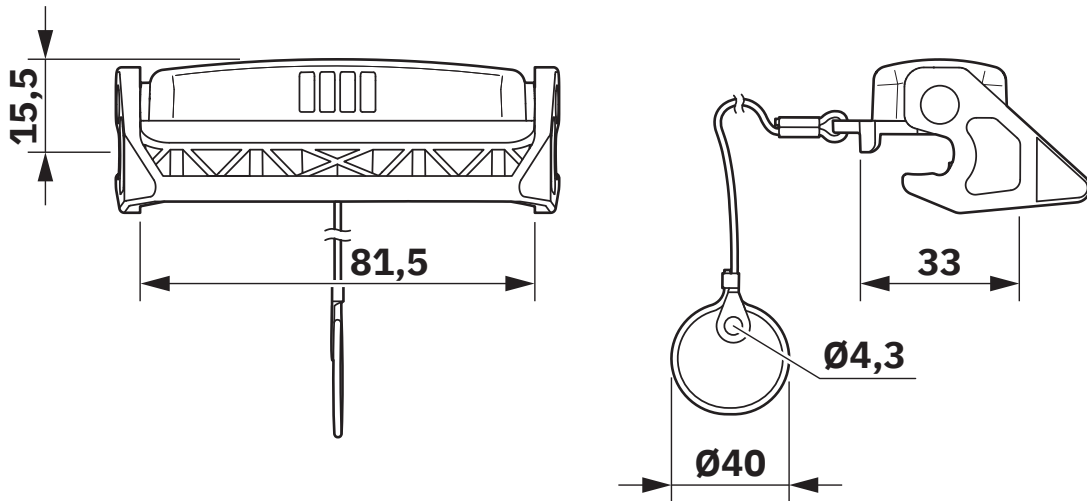


1346523

<https://www.phoenixcontact.com/us/products/1346523>

## Drawings

Dimensional drawing



Dimensional drawing

# HC-D25-HCWS-PL-BK - Protective cover



1346523

<https://www.phoenixcontact.com/us/products/1346523>

## Approvals

🔗 To download certificates, visit the product detail page: <https://www.phoenixcontact.com/us/products/1346523>

**DNV**

Approval ID: TAE000037S

# HC-D25-HCWS-PL-BK - Protective cover



1346523

<https://www.phoenixcontact.com/us/products/1346523>

## Classifications

### ECLASS

ECLASS-13.0	27440208
ECLASS-15.0	27440208

### ETIM

ETIM 10.0	EC002314
-----------	----------

### UNSPSC

UNSPSC 21.0	39121400
-------------	----------

# HC-D25-HCWS-PL-BK - Protective cover



1346523

<https://www.phoenixcontact.com/us/products/1346523>

## Environmental product compliance

### EU RoHS

Fulfills EU RoHS substance requirements	Yes, No exemptions
---	--------------------

### China RoHS

Environment friendly use period (EFUP)	EFUP-E
	No hazardous substances above the limits

### EU REACH SVHC

REACH candidate substance (CAS No.)	No substance above 0.1 wt%
-------------------------------------	----------------------------

Phoenix Contact 2026 © - all rights reserved  
<https://www.phoenixcontact.com>

Phoenix Contact USA  
586 Fulling Mill Road  
Middletown, PA 17057, United States  
(+717) 944-1300  
[info@phoenixcon.com](mailto:info@phoenixcon.com)