

HC-D15-HCWS-PL-BK - Protective cover



1346521

<https://www.phoenixcontact.com/us/products/1346521>

Please be informed that the data shown in this PDF document is generated from our online catalog. Please find the complete data in the user documentation. Our general terms of use for downloads are valid.

Protective cover D15, with single locking latch, protective cover material: PC, height: 19 mm, seal: no



Commercial data

| | |
|--------------------------------------|---------------|
| Item number | 1346521 |
| Packing unit | 1 pc |
| Minimum order quantity | 1 pc |
| Sales key | BF66 |
| Product key | AF7AZC |
| GTIN | 4063151659837 |
| Weight per piece (including packing) | 26.6 g |
| Weight per piece (excluding packing) | 23.1 g |
| Customs tariff number | 85389099 |
| Country of origin | CN |

1346521

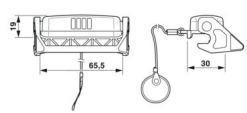
<https://www.phoenixcontact.com/us/products/1346521>

Technical data

Product properties

| | |
|------------------------|------------------|
| Product type | Protective cover |
| Housing type | Protective cover |
| Type | D15 |
| Retaining cord present | yes |
| Seal present | no |

Dimensions

| | |
|---------------------|--|
| Dimensional drawing |  |
| Width | 30 mm |
| Height | 19 mm |
| Length | 65.5 mm |
| Diameter | 40 mm |

Material specifications

| | |
|--|----|
| Material Protective cover | PC |
| Flammability rating according to UL 94 | V0 |
| Material, protective cover | PC |

Environmental and real-life conditions

Ambient conditions

| | |
|---------------------------------|-------------------|
| Degree of protection | IP66 |
| Ambient temperature (operation) | -40 °C ... 125 °C |
| Resistance to UV radiation | yes |

Mounting

| | |
|---------------|--|
| Assembly note | Double eyelet for mounting on a cable / below screw head |
| | Plastic protective cover for short-term protection |

HC-D15-HCWS-PL-BK - Protective cover

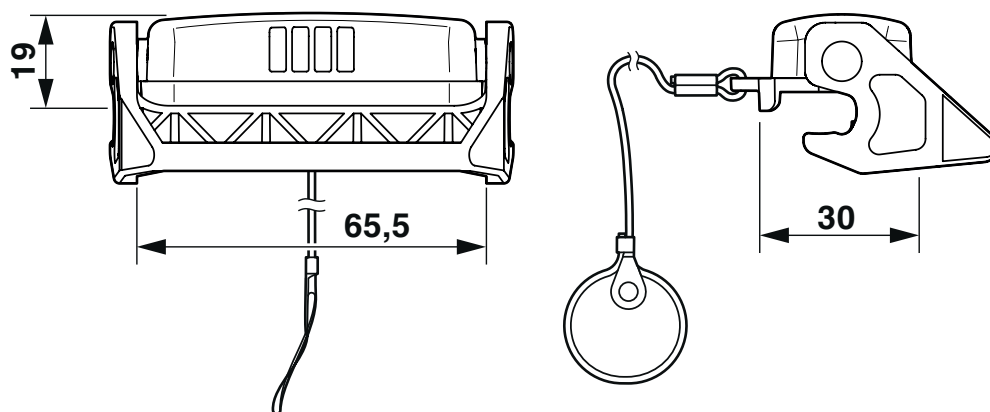


1346521

<https://www.phoenixcontact.com/us/products/1346521>

Drawings

Dimensional drawing



Dimensional drawing

HC-D15-HCWS-PL-BK - Protective cover



1346521

<https://www.phoenixcontact.com/us/products/1346521>

Approvals

🔗 To download certificates, visit the product detail page: <https://www.phoenixcontact.com/us/products/1346521>

DNV

Approval ID: TAE000037S

HC-D15-HCWS-PL-BK - Protective cover



1346521

<https://www.phoenixcontact.com/us/products/1346521>

Classifications

ECLASS

| | |
|-------------|----------|
| ECLASS-13.0 | 27440208 |
| ECLASS-15.0 | 27440208 |

ETIM

| | |
|-----------|----------|
| ETIM 10.0 | EC002314 |
|-----------|----------|

UNSPSC

| | |
|-------------|----------|
| UNSPSC 21.0 | 39121400 |
|-------------|----------|

HC-D15-HCWS-PL-BK - Protective cover



1346521

<https://www.phoenixcontact.com/us/products/1346521>

Environmental product compliance

EU RoHS

| | |
|---|--------------------|
| Fulfills EU RoHS substance requirements | Yes, No exemptions |
|---|--------------------|

China RoHS

| | |
|--|--|
| Environment friendly use period (EFUP) | EFUP-E |
| | No hazardous substances above the limits |

EU REACH SVHC

| | |
|-------------------------------------|----------------------------|
| REACH candidate substance (CAS No.) | No substance above 0.1 wt% |
|-------------------------------------|----------------------------|

Phoenix Contact 2026 © - all rights reserved
<https://www.phoenixcontact.com>

Phoenix Contact USA
586 Fulling Mill Road
Middletown, PA 17057, United States
(+717) 944-1300
info@phoenixcon.com