

# HC-B-G-MULTI01-PLBK - Cable gland



1345613

<https://www.phoenixcontact.com/us/products/1345613>

Please be informed that the data shown in this PDF document is generated from our online catalog. Please find the complete data in the user documentation. Our general terms of use for downloads are valid.



EVO plastic cable gland with bayonet lock, for housing series B, cable diameter 6 x 6 mm ...  
10 mm

## Your advantages

- Flexible cable outlet direction, lateral or straight
- Introduction of several cables of different diameters into one housing
- Easy handling and assembly

## Commercial data

Item number	1345613
Packing unit	1 pc
Minimum order quantity	1 pc
Sales key	BF57
Product key	AF7APL
GTIN	4063151658793
Weight per piece (including packing)	76.5 g
Weight per piece (excluding packing)	22.22 g
Customs tariff number	85389099
Country of origin	PL

# HC-B-G-MULTI01-PLBK - Cable gland



1345613

<https://www.phoenixcontact.com/us/products/1345613>

## Technical data

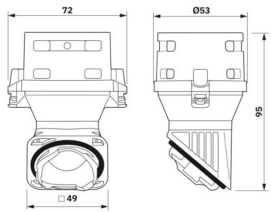
### Mounting

Assembly note	Bayonet locking max. 3x can be removed
---------------	--

### Product properties

Product type	Cable screw gland
No. of conductors	6
Shielded	no

### Dimensions

Dimensional drawing	
Width	72 mm
Height	95 mm
Length	53 mm

### Connection data

Tightening torque	0.5 Nm ... 0.8 Nm
-------------------	-------------------

### Material specifications

Color	black (RAL 9005)
Material Screw connection	PA
Flammability rating according to UL 94	V0 (Seal) V2 (Housing)
Seal material O-ring	NBR
Seal material Cable seal	NBR
Material for screw connection	PA

### Cable/line

External cable diameter Cable 1	6 mm ... 10 mm
External cable diameter Cable 2	6 mm ... 10 mm
External cable diameter Cable 3	6 mm ... 10 mm
External cable diameter Cable 4	6 mm ... 10 mm
External cable diameter Cable 5	6 mm ... 10 mm
External cable diameter Cable 6	6 mm ... 10 mm

### Environmental and real-life conditions

Ambient conditions

# HC-B-G-MULTI01-PLBK - Cable gland



1345613

<https://www.phoenixcontact.com/us/products/1345613>

Degree of protection	IP66
Enclosure rating (NEMA)	12 (UL 50e)
Ambient temperature (operation)	-40 °C ... 100 °C

# HC-B-G-MULTI01-PLBK - Cable gland

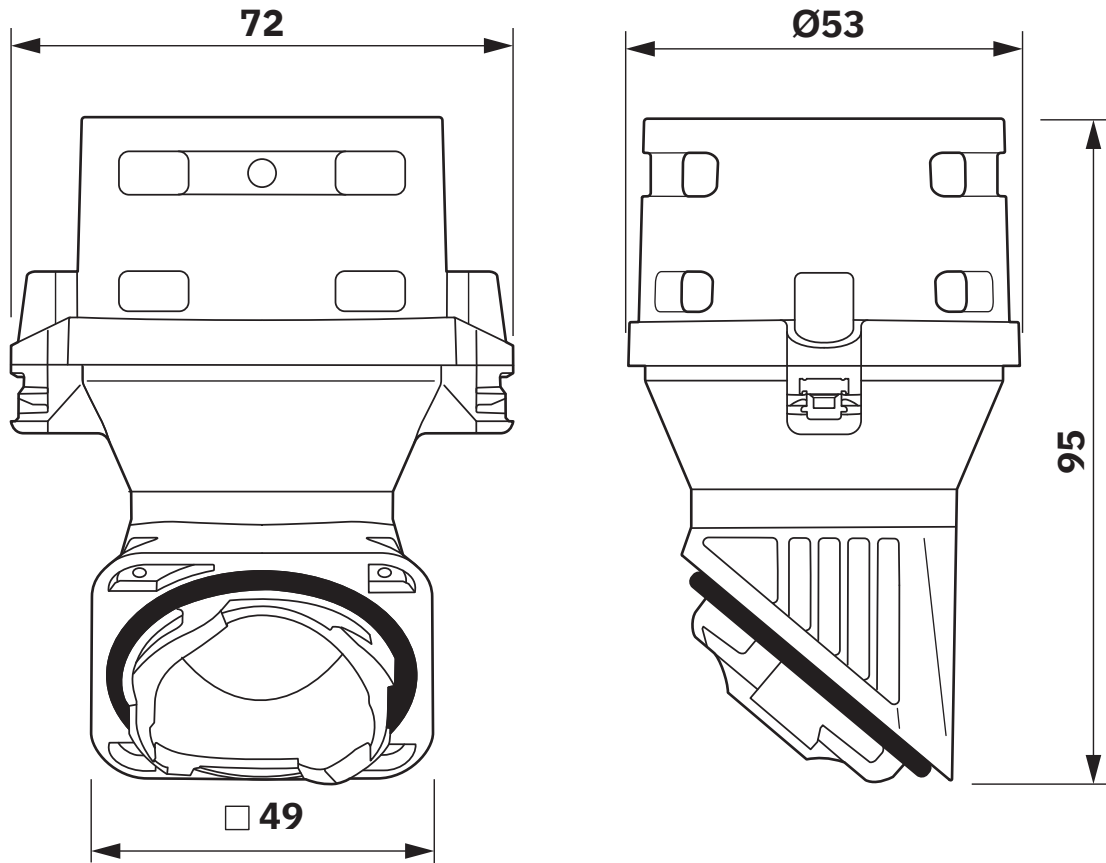


1345613

<https://www.phoenixcontact.com/us/products/1345613>

## Drawings

Dimensional drawing



Dimensional drawing

# HC-B-G-MULTI01-PLBK - Cable gland



1345613

<https://www.phoenixcontact.com/us/products/1345613>

## Approvals

To download certificates, visit the product detail page: <https://www.phoenixcontact.com/us/products/1345613>



**cUL Recognized**

Approval ID: E255026



**UL Recognized**

Approval ID: E255026

# HC-B-G-MULTI01-PLBK - Cable gland



1345613

<https://www.phoenixcontact.com/us/products/1345613>

## Classifications

### ECLASS

ECLASS-13.0	27140801
ECLASS-15.0	27140801

### ETIM

ETIM 10.0	EC000441
-----------	----------

### UNSPSC

UNSPSC 21.0	39121300
-------------	----------

# HC-B-G-MULTI01-PLBK - Cable gland



1345613

<https://www.phoenixcontact.com/us/products/1345613>

## Environmental product compliance

### EU RoHS

Fulfills EU RoHS substance requirements	Yes, No exemptions
---	--------------------

### China RoHS

Environment friendly use period (EFUP)	EFUP-E
	No hazardous substances above the limits

### EU REACH SVHC

REACH candidate substance (CAS No.)	No substance above 0.1 wt%
-------------------------------------	----------------------------

### EF3.1 Climate Change

CO2e kg	0.462 kg CO2e
---------	---------------

Phoenix Contact 2026 © - all rights reserved  
<https://www.phoenixcontact.com>

Phoenix Contact USA  
586 Fulling Mill Road  
Middletown, PA 17057, United States  
(+717) 944-1300  
[info@phoenixcon.com](mailto:info@phoenixcon.com)