

# ME 22,5-KIT-MSTBO-7035+4PSPT4 - Housing set



1343036

<https://www.phoenixcontact.com/us/products/1343036>

Please be informed that the data shown in this PDF document is generated from our online catalog. Please find the complete data in the user documentation. Our general terms of use for downloads are valid.



DIN rail housing, for mounting on a DIN rail, closed upper housing part, color: light gray (similar RAL 7035), width: 22.6 mm, height: 99 mm, depth: 113.65 mm, incl. 4 PCB connectors, 4-pos., Push-in spring connection, for 2.5 mm<sup>2</sup>, nominal current: 12 A, 320 V, PCB surface: 7800 mm<sup>2</sup>

## Commercial data

Item number	1343036
Packing unit	1 pc
Minimum order quantity	1 pc
Sales key	AC08
Product key	ACHAAK
GTIN	4063151654559
Weight per piece (including packing)	99.3 g
Weight per piece (excluding packing)	99.3 g
Customs tariff number	85369010
Country of origin	DE

# ME 22,5-KIT-MSTBO-7035+4PSPT4 - Housing set



1343036

<https://www.phoenixcontact.com/us/products/1343036>

## Set consists of

### ME 22,5 UT/FE TBUS KMGY - Mounting base housing

2914327

<https://www.phoenixcontact.com/us/products/2914327>



DIN rail housing, Lower housing part with metal foot catch, with FE contact, tall design, with vents, width: 22.6 mm, height: 99 mm, depth: 107.3 mm, color: light gray (similar RAL 7035), cross connection: DIN rail bus connector (optional), number of positions cross connector: 5

---

### ME 22,5 OT-MSTBO KMGY - Upper housing part

2907761

<https://www.phoenixcontact.com/us/products/2907761>



DIN rail housing, Upper housing part for connectors with header, width: 22.6 mm, height: 99 mm, depth: 45.85 mm, color: light gray (similar RAL 7035)

# ME 22,5-KIT-MSTBO-7035+4PSPT4 - Housing set



1343036

<https://www.phoenixcontact.com/us/products/1343036>

## MSTBO 2,5/ 4-G1L KMGY - PCB header

2907774

<https://www.phoenixcontact.com/us/products/2907774>



PCB headers, nominal cross section: 2.5 mm<sup>2</sup>, color: light gray, nominal current: 12 A, rated voltage (III/2): 320 V, contact surface: Sn, contact connection type: Pin, number of potentials: 4, number of rows: 1, number of positions: 4, number of connections: 4, product range: MSTBO 2,5/...-G1L, pitch: 5 mm, mounting: Wave soldering, pin layout: Linear pinning, solder pin [P]: 3.5 mm, number of solder pins per potential: 1, Pin connector pattern alignment: Orthogonal, locking: without, type of packaging: packed in cardboard, Product with pin output on left side

## MSTBO 2,5/ 4-G1R KMGY - PCB header

2907787

<https://www.phoenixcontact.com/us/products/2907787>



PCB headers, nominal cross section: 2.5 mm<sup>2</sup>, color: light gray, nominal current: 12 A, rated voltage (III/2): 320 V, contact surface: Sn, contact connection type: Pin, number of rows: 1, number of positions: 4, product range: MSTBO 2,5/...-G1R, mounting: Wave soldering, number of solder pins per potential: 1, Pin connector pattern alignment: Orthogonal, locking: without, Product with pin output on right side

# ME 22,5-KIT-MSTBO-7035+4PSPT4 - Housing set



1343036

<https://www.phoenixcontact.com/us/products/1343036>

## PSPT 2,5/ 4-ST KMGY - PCB connector

2202344

<https://www.phoenixcontact.com/us/products/2202344>



PCB connector, nominal cross section: 2.5 mm<sup>2</sup>, color: light gray, nominal current: 16 A, rated voltage (III/2): 300 V, contact surface: Sn, contact connection type: Socket, number of potentials: 4, number of rows: 1, number of positions: 4, number of connections: 4, product range: PSPT 2,5/..-ST, pitch: 5 mm, connection method: Push-in spring connection, conductor/PCB connection direction: 0 °, locking clip: - Locking clip, plug-in system: COMBICON MSTB 2,5 advanced, locking: without, mounting method: without, type of packaging: packed in cardboard, Color of the spring lever: orange

# ME 22,5-KIT-MSTBO-7035+4PSPT4 - Housing set



1343036

<https://www.phoenixcontact.com/us/products/1343036>

## Technical data

### Notes

Assembly note	Please observe the assembly instructions available in the download area.
Recommendation	Material of contact pads for bus connector, galvanic gold (hard gold)
General	The PCB surface specification is for orientation purposes and is based on a basic PCB. The housing can also accommodate several PCBs.

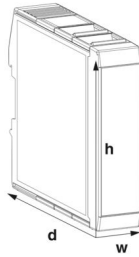
### Product properties

Product type	Stackable housing set
Housing type	DIN rail housing
Housing series	ME
Number of positions	16
Max. number of positions	16 (pitch: 5 mm)
Number of rows	2
Ventilation openings present	yes

### Connection data

Connection method	Push-in spring connection
-------------------	---------------------------

### Dimensions

Dimensional drawing	
Width	22.6 mm
Height	99 mm
Depth	113.65 mm
Depth from top edge of DIN rail	107 mm

### PCB design

PCB thickness	1.4 mm ... 1.8 mm
---------------	-------------------

### Material specifications

Color (Housing)	light gray (RAL 7035)
Material	PA
Flammability rating according to UL 94	V0
Surface characteristics	untreated

1343036

<https://www.phoenixcontact.com/us/products/1343036>

## Environmental and real-life conditions

### Ambient conditions

Max. IP code to attain	IP20
Ambient temperature (operation)	-40 °C ... 105 °C (depending on power dissipation)
Ambient temperature (storage/transport)	-40 °C ... 55 °C
Ambient temperature (assembly)	-5 °C ... 100 °C
Relative humidity (storage/transport)	max. 80 %

### PCB data

Number of PCB holders	1
Type of PCB mount	Latching
Total PCB surface	7800 mm <sup>2</sup>
Thickness of the PCB	1.4 mm ... 1.8 mm

### Mounting

Mounting type	DIN rail mounting
---------------	-------------------

### Packaging specifications

Type of packaging	packed in cardboard
Outer packaging type	Carton

# ME 22,5-KIT-MSTBO-7035+4PSPT4 - Housing set

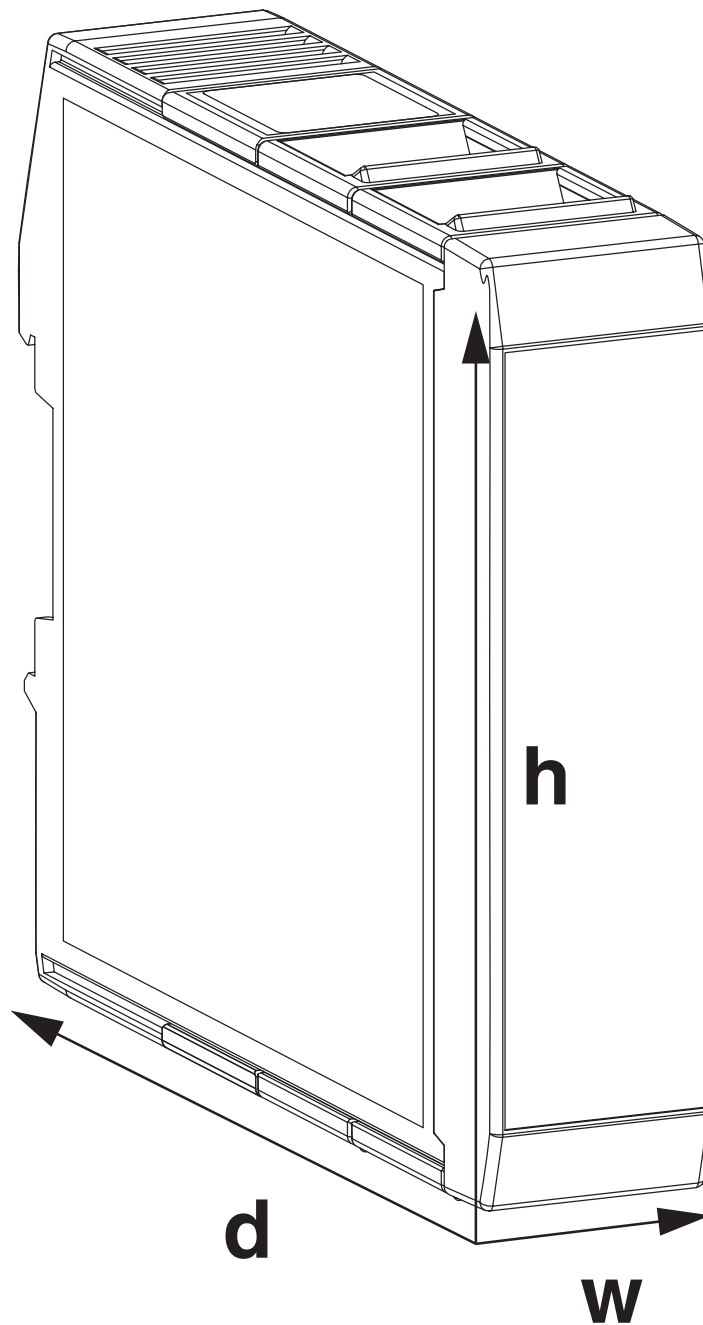
1343036

<https://www.phoenixcontact.com/us/products/1343036>



## Drawings

Dimensional drawing



Schematic figure for illustrating the item dimensions. The figure is not of the desired product. For further details, refer to the product drawings in the "Downloads" tab.

# ME 22,5-KIT-MSTBO-7035+4PSPT4 - Housing set



1343036

<https://www.phoenixcontact.com/us/products/1343036>

## Classifications

### ECLASS

ECLASS-13.0	27190301
ECLASS-15.0	27190301

### ETIM

ETIM 9.0	EC001031
----------	----------

### UNSPSC

UNSPSC 21.0	31261500
-------------	----------

# ME 22,5-KIT-MSTBO-7035+4PSPT4 - Housing set



1343036

<https://www.phoenixcontact.com/us/products/1343036>

## Environmental product compliance

### EU RoHS

Fulfills EU RoHS substance requirements	Yes, No exemptions
---	--------------------

### China RoHS

Environment friendly use period (EFUP)	EFUP-E
	No hazardous substances above the limits

### EU REACH SVHC

REACH candidate substance (CAS No.)	No substance above 0.1 wt%
-------------------------------------	----------------------------

### EF3.1 Climate Change

CO2e kg	0.972 kg CO2e
---------	---------------

Phoenix Contact 2026 © - all rights reserved  
<https://www.phoenixcontact.com>

Phoenix Contact USA  
586 Fulling Mill Road  
Middletown, PA 17057, United States  
(+717) 944-1300  
[info@phoenixcon.com](mailto:info@phoenixcon.com)