

ME 17,5-KIT-MSTBO-7035+4PSPT3 - Housing set



1343032

<https://www.phoenixcontact.com/us/products/1343032>

Please be informed that the data shown in this PDF document is generated from our online catalog. Please find the complete data in the user documentation. Our general terms of use for downloads are valid.



DIN rail housing, for mounting on a DIN rail, closed upper housing part, color: light gray (similar RAL 7035), width: 17.6 mm, height: 99 mm, depth: 113.65 mm, incl. 4 PCB connectors, 3-pos., Push-in spring connection, for 2.5 mm², nominal current: 12 A, 320 V, PCB surface: 7800 mm²

Commercial data

| | |
|--------------------------------------|---------------|
| Item number | 1343032 |
| Packing unit | 1 pc |
| Minimum order quantity | 1 pc |
| Sales key | AC08 |
| Product key | ACHAAK |
| GTIN | 4063151653941 |
| Weight per piece (including packing) | 88.2 g |
| Weight per piece (excluding packing) | 63 g |
| Customs tariff number | 85369010 |
| Country of origin | DE |

ME 17,5-KIT-MSTBO-7035+4PSPT3 - Housing set



1343032

<https://www.phoenixcontact.com/us/products/1343032>

Set consists of

ME 17,5 UT TBUS KMGY - Mounting base housing

2914783

<https://www.phoenixcontact.com/us/products/2914783>



DIN rail housing, Lower housing part with metal foot catch, tall design, with vents, width: 17.6 mm, height: 99 mm, depth: 107.3 mm, color: light gray (similar RAL 7035), cross connection: DIN rail bus connector (optional), number of positions cross connector: 5

ME 17,5 OT-MSTBO KMGY - Upper housing part

2853747

<https://www.phoenixcontact.com/us/products/2853747>



DIN rail housing, Upper housing part for connectors with header, width: 17.6 mm, height: 99 mm, depth: 45.85 mm, color: light gray (similar RAL 7035)

ME 17,5-KIT-MSTBO-7035+4PSPT3 - Housing set



1343032

<https://www.phoenixcontact.com/us/products/1343032>

MSTBO 2,5/ 3-G1L KMGY - PCB header

2853750

<https://www.phoenixcontact.com/us/products/2853750>



PCB headers, nominal cross section: 2.5 mm², color: light gray, nominal current: 12 A, rated voltage (III/2): 320 V, contact surface: Sn, contact connection type: Pin, number of potentials: 3, number of rows: 1, number of positions: 3, number of connections: 3, product range: MSTBO 2,5/..-G1L, pitch: 5 mm, mounting: Wave soldering, pin layout: Linear pinning, solder pin [P]: 3.5 mm, number of solder pins per potential: 1, Pin connector pattern alignment: Orthogonal, locking: without, type of packaging: packed in cardboard, Product with pin output on left side

MSTBO 2,5/ 3-G1R KMGY - PCB header

2853763

<https://www.phoenixcontact.com/us/products/2853763>



PCB headers, nominal cross section: 2.5 mm², color: light gray, nominal current: 12 A, rated voltage (III/2): 320 V, contact surface: Sn, contact connection type: Pin, number of potentials: 3, number of rows: 1, number of positions: 3, number of connections: 3, product range: MSTBO 2,5/..-G1R, pitch: 5 mm, mounting: Wave soldering, pin layout: Linear pinning, solder pin [P]: 3.5 mm, number of solder pins per potential: 1, Pin connector pattern alignment: Orthogonal, locking: without, type of packaging: packed in cardboard, Product with pin output on right side

ME 17,5-KIT-MSTBO-7035+4PSPT3 - Housing set



1343032

<https://www.phoenixcontact.com/us/products/1343032>

PSPT 2,5/ 3-ST KMGY - PCB connector

2202345

<https://www.phoenixcontact.com/us/products/2202345>



PCB connector, color: light gray, number of potentials: 3, number of positions: 3, number of connections: 3, product range: PSPT 2,5/...-ST, pitch: 5 mm, type of packaging: packed in cardboard, Color of the spring lever: orange

ME BUS FE CONTACT - Functional ground contact

2278076

<https://www.phoenixcontact.com/us/products/2278076>



DIN rail housing, FE contact, width: 5 mm, height: 15.25 mm, depth: 9.5 mm

ME 17,5-KIT-MSTBO-7035+4PSPT3 - Housing set



1343032

<https://www.phoenixcontact.com/us/products/1343032>

Technical data

Notes

| | |
|----------------|---|
| Assembly note | Please observe the assembly instructions available in the download area. |
| Recommendation | Material of contact pads for bus connector, galvanic gold (hard gold) |
| General | The PCB surface specification is for orientation purposes and is based on a basic PCB. The housing can also accommodate several PCBs. |

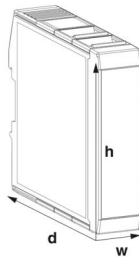
Product properties

| | |
|------------------------------|-----------------------|
| Product type | Stackable housing set |
| Housing type | DIN rail housing |
| Housing series | ME |
| Product family | ME 17,5.. |
| Number of positions | 12 |
| Max. number of positions | 12 (pitch: 5 mm) |
| Number of rows | 2 |
| Ventilation openings present | yes |

Connection data

| | |
|-------------------|---------------------------|
| Connection method | Push-in spring connection |
|-------------------|---------------------------|

Dimensions

| | |
|---------------------------------|---|
| Dimensional drawing |  |
| Width | 17.6 mm |
| Height | 99 mm |
| Depth | 113.65 mm |
| Depth from top edge of DIN rail | 107 mm |

PCB design

| | |
|---------------|-------------------|
| PCB thickness | 1.4 mm ... 1.8 mm |
|---------------|-------------------|

Material specifications

| | |
|--|-----------------------|
| Color (Housing) | light gray (RAL 7035) |
| Material | PA |
| Flammability rating according to UL 94 | V0 |

1343032

<https://www.phoenixcontact.com/us/products/1343032>

Environmental and real-life conditions

Ambient conditions

| | |
|---|--|
| Max. IP code to attain | IP20 |
| Ambient temperature (operation) | -40 °C ... 105 °C (depending on power dissipation) |
| Ambient temperature (storage/transport) | -40 °C ... 55 °C |
| Ambient temperature (assembly) | -5 °C ... 100 °C |
| Relative humidity (storage/transport) | max. 80 % |

PCB data

| | |
|-----------------------|----------------------|
| Number of PCB holders | 1 |
| Type of PCB mount | Latching |
| Total PCB surface | 7800 mm ² |
| Thickness of the PCB | 1.4 mm ... 1.8 mm |

Mounting

| | |
|---------------|-------------------|
| Mounting type | DIN rail mounting |
|---------------|-------------------|

Packaging specifications

| | |
|----------------------|---------------------|
| Type of packaging | packed in cardboard |
| Outer packaging type | Carton |

ME 17,5-KIT-MSTBO-7035+4PSPT3 - Housing set

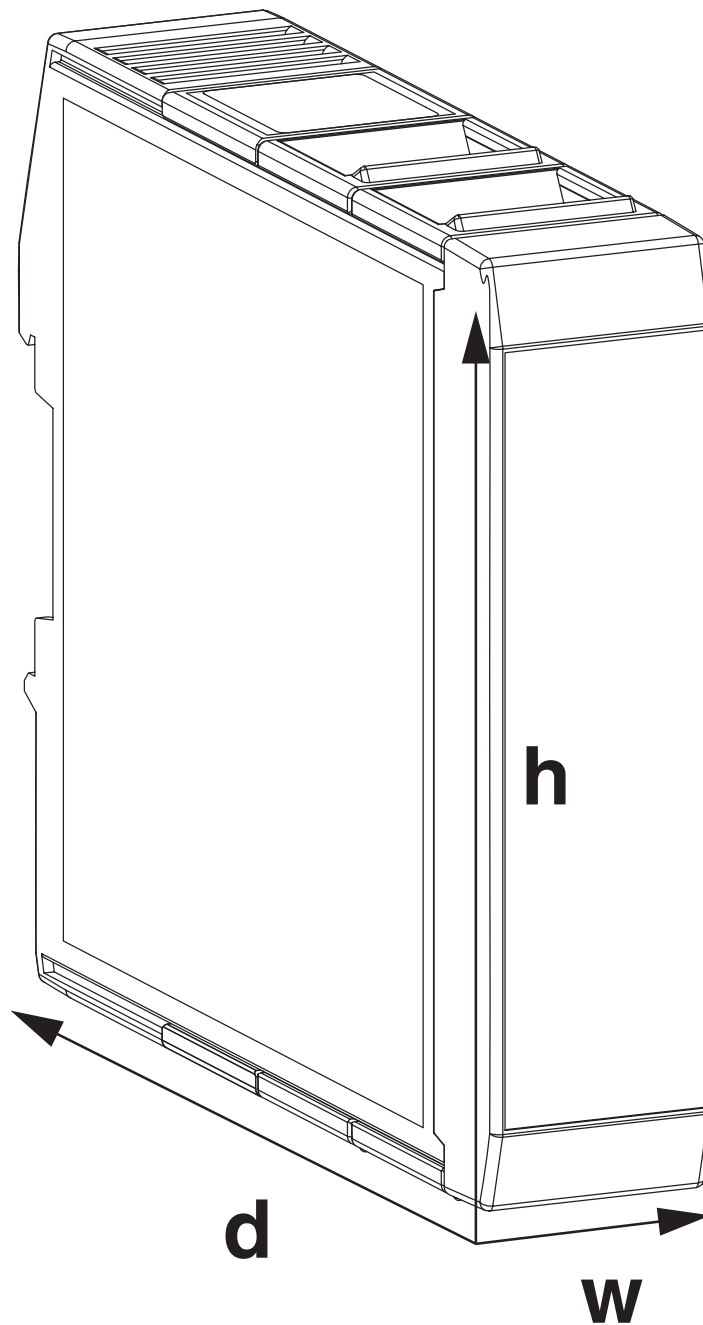
1343032

<https://www.phoenixcontact.com/us/products/1343032>



Drawings

Dimensional drawing



Schematic figure for illustrating the item dimensions. The figure is not of the desired product. For further details, refer to the product drawings in the "Downloads" tab.

ME 17,5-KIT-MSTBO-7035+4PSPT3 - Housing set



1343032

<https://www.phoenixcontact.com/us/products/1343032>

Classifications

ECLASS

| | |
|-------------|----------|
| ECLASS-15.0 | 27190301 |
| ECLASS-13.0 | 27190301 |

ETIM

| | |
|-----------|----------|
| ETIM 10.0 | EC001031 |
|-----------|----------|

UNSPSC

| | |
|-------------|----------|
| UNSPSC 21.0 | 31261500 |
|-------------|----------|

ME 17,5-KIT-MSTBO-7035+4PSPT3 - Housing set



1343032

<https://www.phoenixcontact.com/us/products/1343032>

Environmental product compliance

EU RoHS

| | |
|---|--------------------|
| Fulfills EU RoHS substance requirements | Yes, No exemptions |
|---|--------------------|

China RoHS

| | |
|--|--|
| Environment friendly use period (EFUP) | EFUP-E |
| | No hazardous substances above the limits |

EU REACH SVHC

| | |
|-------------------------------------|----------------------------|
| REACH candidate substance (CAS No.) | No substance above 0.1 wt% |
|-------------------------------------|----------------------------|

EF3.1 Climate Change

| | |
|---------|---------------|
| CO2e kg | 0.824 kg CO2e |
|---------|---------------|

Phoenix Contact 2026 © - all rights reserved
<https://www.phoenixcontact.com>

Phoenix Contact USA
586 Fulling Mill Road
Middletown, PA 17057, United States
(+717) 944-1300
info@phoenixcon.com