

ME 12,5-KIT-MSTBO-7035+4MSTBT2 - Housing set



1343019

<https://www.phoenixcontact.com/us/products/1343019>

Please be informed that the data shown in this PDF document is generated from our online catalog. Please find the complete data in the user documentation. Our general terms of use for downloads are valid.



DIN rail housing, for mounting on a DIN rail, closed upper housing part, color: light gray (similar RAL 7035), width: 12.6 mm, height: 99 mm, depth: 113.3 mm, incl. 4 PCB connectors, 2-pos., screw connection, for 2.5 mm², nominal current: 12 A, 320 V, PCB surface: 7800 mm²

Commercial data

Item number	1343019
Packing unit	1 pc
Minimum order quantity	1 pc
Sales key	AC08
Product key	ACHAAK
GTIN	4063151654153
Weight per piece (including packing)	84 g
Weight per piece (excluding packing)	56 g
Customs tariff number	85369010
Country of origin	DE

ME 12,5-KIT-MSTBO-7035+4MSTBT2 - Housing set



1343019

<https://www.phoenixcontact.com/us/products/1343019>

Set consists of

ME 12,5 UT/FE KMGY - Mounting base housing

2202695

<https://www.phoenixcontact.com/us/products/2202695>



DIN rail housing, Lower housing part with metal foot catch, with FE contact, tall design, with vents, width: 12.6 mm, height: 99 mm, depth: 107.3 mm, color: light gray (similar RAL 7035), cross connection: without bus connector, number of positions cross connector: not relevant

ME 12,5 OT-MSTBO KMGY - Upper housing part

2854775

<https://www.phoenixcontact.com/us/products/2854775>



DIN rail housing, Upper housing part for connectors with header, width: 12.6 mm, height: 99 mm, depth: 45.85 mm, color: light gray (similar RAL 7035)

ME 12,5-KIT-MSTBO-7035+4MSTBT2 - Housing set



1343019

<https://www.phoenixcontact.com/us/products/1343019>

MSTBO 2,5/ 2-G1L KMGY - PCB header

2854788

<https://www.phoenixcontact.com/us/products/2854788>



PCB headers, nominal cross section: 2.5 mm², color: light gray, nominal current: 12 A, rated voltage (III/2): 320 V, contact surface: Sn, contact connection type: Pin, number of potentials: 2, number of rows: 1, number of positions: 2, number of connections: 2, product range: MSTBO 2,5/..-G1L, pitch: 5 mm, mounting: Wave soldering, pin layout: Linear pinning, solder pin [P]: 3.5 mm, number of solder pins per potential: 1, Pin connector pattern alignment: Orthogonal, locking: without, type of packaging: packed in cardboard, Product with pin output on left side

MSTBO 2,5/ 2-G1R KMGY - PCB header

2854791

<https://www.phoenixcontact.com/us/products/2854791>



PCB headers, nominal cross section: 2.5 mm², color: light gray, nominal current: 12 A, rated voltage (III/2): 320 V, contact surface: Sn, contact connection type: Pin, number of potentials: 2, number of rows: 1, number of positions: 2, number of connections: 2, product range: MSTBO 2,5/..-G1R, pitch: 5 mm, mounting: Wave soldering, pin layout: Linear pinning, solder pin [P]: 3.5 mm, number of solder pins per potential: 1, Pin connector pattern alignment: Orthogonal, locking: without, type of packaging: packed in cardboard, Product with pin output on right side

ME 12,5-KIT-MSTBO-7035+4MSTBT2 - Housing set



1343019

<https://www.phoenixcontact.com/us/products/1343019>

MSTBT 2,5 HC/ 2-STP GY7035 - PCB connector

2200334

<https://www.phoenixcontact.com/us/products/2200334>



PCB connector, nominal cross section: 2.5 mm², color: light gray, nominal current: 16 A (see derating curve), rated voltage (III/2): 320 V, contact surface: Sn, contact connection type: Socket, number of potentials: 2, number of rows: 1, number of positions: 2, number of connections: 2, product range: MSTBT 2,5 HC/...-STP, pitch: 5 mm, connection method: Screw connection with tension sleeve, conductor/PCB connection direction: 0 °, locking clip: - Locking clip, plug-in system: COMBICON MSTB 2,5 advanced, locking: without, mounting method: without, type of packaging: packed in cardboard

ME 12,5-KIT-MSTBO-7035+4MSTBT2 - Housing set



1343019

<https://www.phoenixcontact.com/us/products/1343019>

Technical data

Notes

Assembly note	Please observe the assembly instructions available in the download area.
Recommendation	Material of contact pads for bus connector, galvanic gold (hard gold)
General	The PCB surface specification is for orientation purposes and is based on a basic PCB. The housing can also accommodate several PCBs.

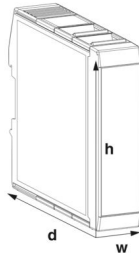
Product properties

Product type	Stackable housing set
Housing type	DIN rail housing
Housing series	ME
Number of positions	8
Max. number of positions	8 (pitch: 5 mm)
Number of rows	2
Ventilation openings present	yes

Connection data

Connection method	Screw connection with tension sleeve
-------------------	--------------------------------------

Dimensions

Dimensional drawing	
Width	12.6 mm
Height	99 mm
Depth	113.3 mm
Depth from top edge of DIN rail	107 mm

PCB design

PCB thickness	1.4 mm ... 1.8 mm
---------------	-------------------

Material specifications

Color (Housing)	light gray (RAL 7035)
Material	PA
Flammability rating according to UL 94	V0

1343019

<https://www.phoenixcontact.com/us/products/1343019>

Environmental and real-life conditions

Ambient conditions

Max. IP code to attain	IP20
Ambient temperature (operation)	-40 °C ... 105 °C (depending on power dissipation)
Ambient temperature (storage/transport)	-40 °C ... 55 °C
Ambient temperature (assembly)	-5 °C ... 100 °C
Relative humidity (storage/transport)	max. 80 %

PCB data

Number of PCB holders	1
Type of PCB mount	Latching
Total PCB surface	7800 mm ²
Thickness of the PCB	1.4 mm ... 1.8 mm

Mounting

Mounting type	DIN rail mounting
---------------	-------------------

Packaging specifications

Type of packaging	packed in cardboard
Outer packaging type	Carton

ME 12,5-KIT-MSTBO-7035+4MSTBT2 - Housing set

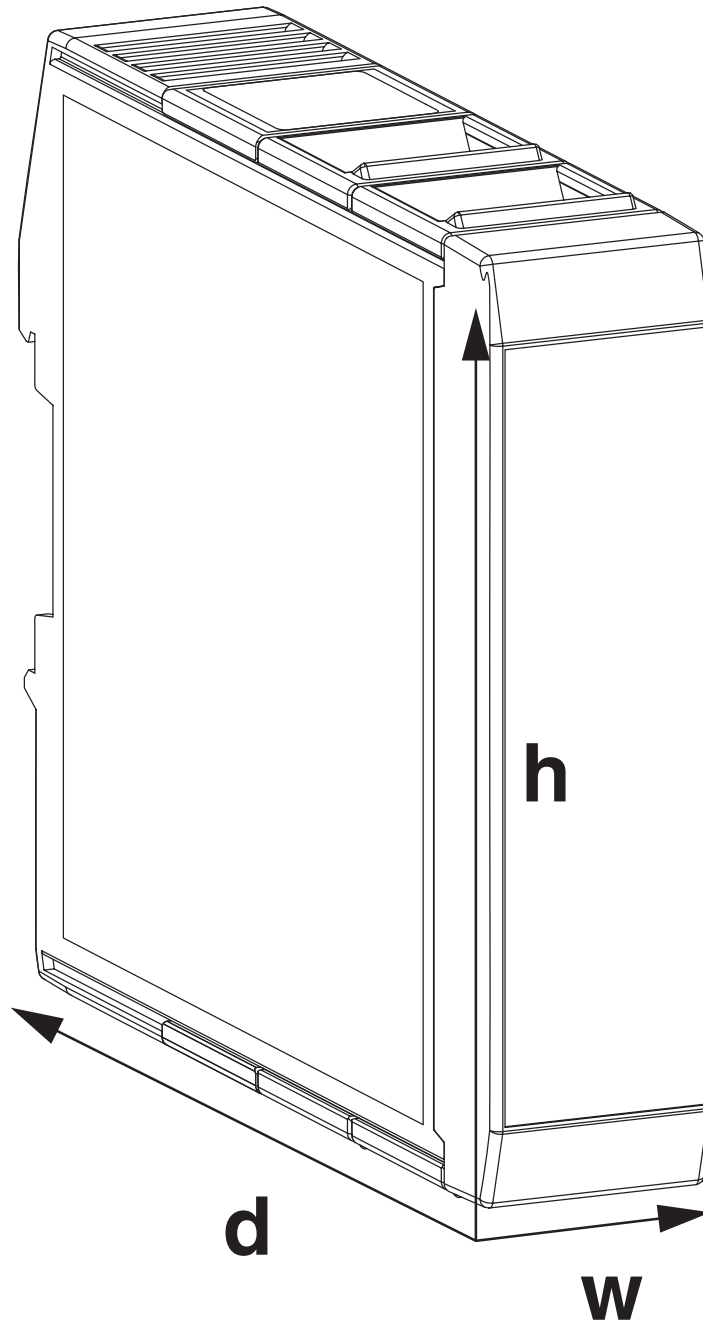
1343019

<https://www.phoenixcontact.com/us/products/1343019>



Drawings

Dimensional drawing



Schematic figure for illustrating the item dimensions. The figure is not of the desired product. For further details, refer to the product drawings in the "Downloads" tab.

ME 12,5-KIT-MSTBO-7035+4MSTBT2 - Housing set



1343019

<https://www.phoenixcontact.com/us/products/1343019>

Classifications

ECLASS

ECLASS-13.0	27190301
ECLASS-15.0	27190301

ETIM

ETIM 9.0	EC001031
----------	----------

UNSPSC

UNSPSC 21.0	31261500
-------------	----------

ME 12,5-KIT-MSTBO-7035+4MSTBT2 - Housing set



1343019

<https://www.phoenixcontact.com/us/products/1343019>

Environmental product compliance

EU RoHS

Fulfills EU RoHS substance requirements	Yes, No exemptions
---	--------------------

China RoHS

Environment friendly use period (EFUP)	EFUP-E
	No hazardous substances above the limits

EU REACH SVHC

REACH candidate substance (CAS No.)	No substance above 0.1 wt%
-------------------------------------	----------------------------

EF3.1 Climate Change

CO2e kg	0.462 kg CO2e
---------	---------------

Phoenix Contact 2026 © - all rights reserved
<https://www.phoenixcontact.com>

Phoenix Contact USA
586 Fulling Mill Road
Middletown, PA 17057, United States
(+717) 944-1300
info@phoenixcon.com