

ME MAX 67,5-KIT-U-U1-7035+3MSTBT4 - Housing set



1342910

<https://www.phoenixcontact.com/us/products/1342910>

Please be informed that the data shown in this PDF document is generated from our online catalog. Please find the complete data in the user documentation. Our general terms of use for downloads are valid.



DIN rail housing, for mounting on a DIN rail, color: light gray (similar RAL 7035), width: 67.8 mm, height: 99 mm, depth: 113.65 mm, incl. 3 PCB connectors, 4-pos., screw connection, for 2.5 mm², nominal current: 12 A, 320 V, PCB surface: 8300 mm²

Commercial data

Item number	1342910
Packing unit	1 pc
Minimum order quantity	1 pc
Sales key	AC08
Product key	ACHABK
GTIN	4063151657321
Weight per piece (including packing)	188.3 g
Weight per piece (excluding packing)	131.48 g
Customs tariff number	85369010
Country of origin	DE

ME MAX 67,5-KIT-U-U1-7035+3MSTBT4 - Housing set



1342910

<https://www.phoenixcontact.com/us/products/1342910>

Set consists of

ME BUS FE CONTACT - Functional ground contact

2278076

<https://www.phoenixcontact.com/us/products/2278076>

DIN rail housing, FE contact, width: 5 mm, height: 15.25 mm, depth: 9.5 mm



ME MAX 67,5-KIT-U-U1-7035+3MSTBT4 - Housing set



1342910

<https://www.phoenixcontact.com/us/products/1342910>

Technical data

Notes

Assembly note	Please observe the assembly instructions available in the download area.
Recommendation	Material of contact pads for bus connector, galvanic gold (hard gold)
General	The PCB surface specification is for orientation purposes and is based on a basic PCB. The housing can also accommodate several PCBs.

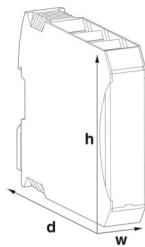
Product properties

Product type	Stackable housing set
Housing type	DIN rail housing
Housing series	ME-MAX
Number of positions	12
Max. number of positions	12 (pitch: 5 mm)
Number of rows	1
Ventilation openings present	yes
Anzahl der Etagen Housing (Makro)	1 (Single-sided)

Connection data

Connection method	Screw connection with tension sleeve
-------------------	--------------------------------------

Dimensions

Dimensional drawing	
Width	67.8 mm
Height	99 mm
Depth	113.65 mm
Depth from top edge of DIN rail	107 mm

PCB design

PCB thickness	1.4 mm ... 1.8 mm
---------------	-------------------

Material specifications

Color (Housing)	light gray (RAL 7035)
Material	PA
Flammability rating according to UL 94	V0

ME MAX 67,5-KIT-U-U1-7035+3MSTBT4 - Housing set



1342910

<https://www.phoenixcontact.com/us/products/1342910>

Environmental and real-life conditions

Ambient conditions

Max. IP code to attain	IP20
Ambient temperature (operation)	-40 °C ... 105 °C (depending on power dissipation)
Ambient temperature (storage/transport)	-40 °C ... 55 °C
Ambient temperature (assembly)	-5 °C ... 100 °C
Relative humidity (storage/transport)	80 % (maximum)

PCB data

Number of PCB holders	3
Type of PCB mount	Latching
Total PCB surface	8300 mm ²
Thickness of the PCB	1.4 mm ... 1.8 mm

Mounting

Mounting type	DIN rail mounting
---------------	-------------------

Packaging specifications

Type of packaging	packed in cardboard
Outer packaging type	Carton

ME MAX 67,5-KIT-U-U1-7035+3MSTBT4 - Housing set

1342910

<https://www.phoenixcontact.com/us/products/1342910>

Drawings

Dimensional drawing



Schematic figure for illustrating the item dimensions. The figure is not of the desired product. For further details, refer to the product drawings in the "Downloads" tab.

ME MAX 67,5-KIT-U-U1-7035+3MSTBT4 - Housing set



1342910

<https://www.phoenixcontact.com/us/products/1342910>

Classifications

ECLASS

ECLASS-13.0	27190301
ECLASS-15.0	27190301

ETIM

ETIM 9.0	EC001031
----------	----------

ME MAX 67,5-KIT-U-U1-7035+3MSTBT4 - Housing set



1342910

<https://www.phoenixcontact.com/us/products/1342910>

Environmental product compliance

EU RoHS

Fulfills EU RoHS substance requirements	Yes, No exemptions
---	--------------------

China RoHS

Environment friendly use period (EFUP)	EFUP-E
	No hazardous substances above the limits

EU REACH SVHC

REACH candidate substance (CAS No.)	No substance above 0.1 wt%
-------------------------------------	----------------------------

Phoenix Contact 2026 © - all rights reserved
<https://www.phoenixcontact.com>

Phoenix Contact USA
586 Fulling Mill Road
Middletown, PA 17057, United States
(+717) 944-1300
info@phoenixcon.com