

ICS50-KIT-BC100X110-V-V-7035+8PSC4 - Housing set



1342857

<https://www.phoenixcontact.com/us/products/1342857>

Please be informed that the data shown in this PDF document is generated from our online catalog. Please find the complete data in the user documentation. Our general terms of use for downloads are valid.



DIN rail housing, for mounting on a DIN rail, with closed latching cover, color: light gray (similar RAL 7035), width: 50.1 mm, height: 100 mm, depth: 116.7 mm, incl. 8 PCB connectors, 4-pos., screw connection, for 2.5 mm², nominal current: 16 A, 320 V, PCB surface: 9600 mm²

Commercial data

Item number	1342857
Packing unit	1 pc
Minimum order quantity	1 pc
Sales key	AC09
Product key	ACHAEK
GTIN	4063151653224
Weight per piece (including packing)	197.6 g
Weight per piece (excluding packing)	200 g
Customs tariff number	85369010
Country of origin	DE

ICS50-KIT-BC100X110-V-V-7035+8PSC4 - Housing set



1342857

<https://www.phoenixcontact.com/us/products/1342857>

Set consists of

ICC25-PSC2,5/4-5,0-AA-7035 - PCB connector

1084027

<https://www.phoenixcontact.com/us/products/1084027>



PCB connector, nominal cross section: 2.5 mm², color: light gray, nominal current: 16 A, rated voltage (III/2): 320 V, contact surface: Sn, contact connection type: Socket, number of potentials: 4, number of rows: 1, number of positions: 4, number of connections: 4, product range: ICC...PSC2,5/...-5,0, pitch: 5 mm, connection method: Screw connection with tension sleeve, conductor/PCB connection direction: 0 °, locking clip: - Locking clip, plug-in system: ICC 2,5, locking: without, mounting method: without, type of packaging: packed in cardboard

ICC25-H/4R5,0-7035 - PCB header

2203903

<https://www.phoenixcontact.com/us/products/2203903>



PCB headers, nominal cross section: 2.5 mm², color: light gray, nominal current: 16 A, rated voltage (III/2): 320 V, contact surface: Sn, contact connection type: Pin, number of potentials: 4, number of rows: 1, number of positions: 4, number of connections: 4, product range: ICC...H/...R5,0, pitch: 5 mm, mounting: Wave soldering, pin layout: Linear pinning, solder pin [P]: 3.5 mm, number of solder pins per potential: 1, plug-in system: ICC 2,5, Pin connector pattern alignment: Standard, locking: Snap-in locking, mounting method: without, type of packaging: Box packaging, Product with pin output on right side

ICS50-KIT-BC100X110-V-V-7035+8PSC4 - Housing set



1342857

<https://www.phoenixcontact.com/us/products/1342857>

ICC25-H/4L5,0-7035 - PCB header

2203902

<https://www.phoenixcontact.com/us/products/2203902>



PCB headers, nominal cross section: 2.5 mm², color: light gray, nominal current: 16 A, rated voltage (III/2): 320 V, contact surface: Sn, contact connection type: Pin, number of potentials: 4, number of rows: 1, number of positions: 4, number of connections: 4, product range: ICC...-H/...L5,0, pitch: 5 mm, mounting: Wave soldering, pin layout: Linear pinning, solder pin [P]: 3.5 mm, number of solder pins per potential: 1, plug-in system: ICC 2,5, Pin connector pattern alignment: Standard, locking: Snap-in locking, mounting method: without, type of packaging: Box packaging, Product with pin output on left side

ICS-FE-CONTACT - Functional ground contact

2203904

<https://www.phoenixcontact.com/us/products/2203904>



Functional ground contact, for ICS series electronics housings

ICS50-KIT-BC100X110-V-V-7035+8PSC4 - Housing set



1342857

<https://www.phoenixcontact.com/us/products/1342857>

ICS25-F22S-7035 - Connection plate

2203890

<https://www.phoenixcontact.com/us/products/2203890>

DIN rail housing, ICS filler, closed, width: 25 mm, height: 7.25 mm, depth: 22.4 mm, color: light gray (similar RAL 7035)



ICS50-C100X12-7035 - Upper housing part

1076995

<https://www.phoenixcontact.com/us/products/1076995>

DIN rail housing, Upper part, closed, Housing cover, width: 50.1 mm, height: 100 mm, depth: 14.35 mm, color: light gray (similar RAL 7035)



ICS50-KIT-BC100X110-V-V-7035+8PSC4 - Housing set



1342857

<https://www.phoenixcontact.com/us/products/1342857>

ICS50-B100X98-V-V-7035 - Mounting base housing

1076998

<https://www.phoenixcontact.com/us/products/1076998>



DIN rail housing, Lower housing part with metal foot catch, Level 1: with vents, width: 50.1 mm, height: 100 mm, depth: 108.35 mm, color: light gray (similar RAL 7035), cross connection: DIN rail bus connector (optional), number of positions cross connector: 8

ICS50-KIT-BC100X110-V-V-7035+8PSC4 - Housing set



1342857

<https://www.phoenixcontact.com/us/products/1342857>

Technical data

Notes

Assembly note	Please observe the assembly instructions available in the download area.
Recommendation	Material of contact pads for bus connector, galvanic gold (hard gold)
General	The PCB surface specification is for orientation purposes and is based on a basic PCB. The housing can also accommodate several PCBs.

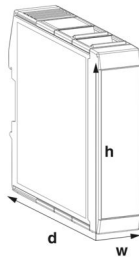
Product properties

Product type	Stackable housing set
Housing type	DIN rail housing
Housing series	ICS
Number of positions	32
Max. number of positions	32 (pitch: 5 mm)
Number of rows	4
Ventilation openings present	yes
Anzahl der Etagen Housing (Makro)	3 (Both sides)

Connection data

Connection method	Screw connection with tension sleeve
-------------------	--------------------------------------

Dimensions

Dimensional drawing	
Width	50.1 mm
Height	100 mm
Depth	116.7 mm
Depth from top edge of DIN rail	110 mm

PCB design

PCB thickness	1.4 mm ... 1.8 mm
---------------	-------------------

Material specifications

Color (Lower housing part)	light gray (RAL 7035)
Color (Upper housing part)	light gray (RAL 7035)
Material	PA

ICS50-KIT-BC100X110-V-V-7035+8PSC4 - Housing set



1342857

<https://www.phoenixcontact.com/us/products/1342857>

Flammability rating according to UL 94	V0
----------------------------------------	----

Environmental and real-life conditions

Ambient conditions

Max. IP code to attain	IP20
Ambient temperature (operation)	-40 °C ... 105 °C (depending on power dissipation)
Ambient temperature (storage/transport)	-40 °C ... 55 °C
Ambient temperature (assembly)	-5 °C ... 100 °C
Relative humidity (storage/transport)	80 % (maximum)

PCB data

Number of PCB holders	4
Type of PCB mount	Slot
Total PCB surface	9600 mm ²
Thickness of the PCB	1.4 mm ... 1.8 mm

Mounting

Mounting type	DIN rail mounting
---------------	-------------------

Packaging specifications

Type of packaging	packed in cardboard
Outer packaging type	Carton

ICS50-KIT-BC100X110-V-V-7035+8PSC4 - Housing set

1342857

<https://www.phoenixcontact.com/us/products/1342857>

Drawings

Dimensional drawing



Schematic figure for illustrating the item dimensions. The figure is not of the desired product. For further details, refer to the product drawings in the "Downloads" tab.

ICS50-KIT-BC100X110-V-V-7035+8PSC4 - Housing set



1342857

<https://www.phoenixcontact.com/us/products/1342857>

Classifications

ECLASS

ECLASS-13.0	27190301
ECLASS-15.0	27190301

ETIM

ETIM 9.0	EC001031
----------	----------

UNSPSC

UNSPSC 21.0	31261500
-------------	----------

ICS50-KIT-BC100X110-V-V-7035+8PSC4 - Housing set



1342857

<https://www.phoenixcontact.com/us/products/1342857>

Environmental product compliance

EU RoHS

Fulfills EU RoHS substance requirements	Yes, No exemptions
-----------------------------------------	--------------------

China RoHS

Environment friendly use period (EFUP)	EFUP-E
	No hazardous substances above the limits

EU REACH SVHC

REACH candidate substance (CAS No.)	No substance above 0.1 wt%
-------------------------------------	----------------------------

Phoenix Contact 2026 © - all rights reserved
<https://www.phoenixcontact.com>

Phoenix Contact USA
586 Fulling Mill Road
Middletown, PA 17057, United States
(+717) 944-1300
info@phoenixcon.com