

ICS25-KIT-BC122X110-V-7035+4PSC4 - Housing set



1342851

<https://www.phoenixcontact.com/us/products/1342851>

Please be informed that the data shown in this PDF document is generated from our online catalog. Please find the complete data in the user documentation. Our general terms of use for downloads are valid.



DIN rail housing, for mounting on a DIN rail, with closed latching cover, color: light gray (similar RAL 7035), width: 25 mm, height: 122.5 mm, depth: 116.7 mm, incl. 4 PCB connectors, 4-pos., screw connection, for 2.5 mm², nominal current: 16 A, 320 V, PCB surface: 11900 mm²

Commercial data

| | |
|--------------------------------------|---------------|
| Item number | 1342851 |
| Packing unit | 1 pc |
| Minimum order quantity | 1 pc |
| Sales key | AC09 |
| Product key | ACHAEK |
| GTIN | 4063151653910 |
| Weight per piece (including packing) | 146.78 g |
| Weight per piece (excluding packing) | 120 g |
| Customs tariff number | 85369010 |
| Country of origin | DE |

1342851

<https://www.phoenixcontact.com/us/products/1342851>

Set consists of

ICC25-PSC2,5/4-5,0-AA-7035 - PCB connector

1084027

<https://www.phoenixcontact.com/us/products/1084027>



PCB connector, nominal cross section: 2.5 mm², color: light gray, nominal current: 16 A, rated voltage (III/2): 320 V, contact surface: Sn, contact connection type: Socket, number of potentials: 4, number of rows: 1, number of positions: 4, number of connections: 4, product range: ICC...-PSC2,5/...-5,0, pitch: 5 mm, connection method: Screw connection with tension sleeve, conductor/PCB connection direction: 0 °, locking clip: - Locking clip, plug-in system: ICC 2,5, locking: without, mounting method: without, type of packaging: packed in cardboard

ICC25-H/4R5,0-7035 - PCB header

2203903

<https://www.phoenixcontact.com/us/products/2203903>



PCB headers, nominal cross section: 2.5 mm², color: light gray, nominal current: 16 A, rated voltage (III/2): 320 V, contact surface: Sn, contact connection type: Pin, number of potentials: 4, number of rows: 1, number of positions: 4, number of connections: 4, product range: ICC...-H/...R5,0, pitch: 5 mm, mounting: Wave soldering, pin layout: Linear pinning, solder pin [P]: 3.5 mm, number of solder pins per potential: 1, plug-in system: ICC 2,5, Pin connector pattern alignment: Standard, locking: Snap-in locking, mounting method: without, type of packaging: Box packaging, Product with pin output on right side

ICS25-KIT-BC122X110-V-7035+4PSC4 - Housing set



1342851

<https://www.phoenixcontact.com/us/products/1342851>

ICC25-H/4L5,0-7035 - PCB header

2203902

<https://www.phoenixcontact.com/us/products/2203902>



PCB headers, nominal cross section: 2.5 mm², color: light gray, nominal current: 16 A, rated voltage (III/2): 320 V, contact surface: Sn, contact connection type: Pin, number of potentials: 4, number of rows: 1, number of positions: 4, number of connections: 4, product range: ICC...-H/...L5,0, pitch: 5 mm, mounting: Wave soldering, pin layout: Linear pinning, solder pin [P]: 3.5 mm, number of solder pins per potential: 1, plug-in system: ICC 2,5, Pin connector pattern alignment: Standard, locking: Snap-in locking, mounting method: without, type of packaging: Box packaging, Product with pin output on left side

ICS-FE-CONTACT - Functional ground contact

2203904

<https://www.phoenixcontact.com/us/products/2203904>



Functional ground contact, for ICS series electronics housings

ICS25-KIT-BC122X110-V-7035+4PSC4 - Housing set



1342851

<https://www.phoenixcontact.com/us/products/1342851>

ICS25-F22S-7035 - Connection plate

2203890

<https://www.phoenixcontact.com/us/products/2203890>



DIN rail housing, ICS filler, closed, width: 25 mm, height: 7.25 mm, depth: 22.4 mm, color: light gray (similar RAL 7035)

ICS25-C122X12-7035 - Upper housing part

2203886

<https://www.phoenixcontact.com/us/products/2203886>



DIN rail housing, Upper part, closed, Housing cover, width: 25 mm, height: 122.5 mm, depth: 14.35 mm, color: light gray (similar RAL 7035)

ICS25-KIT-BC122X110-V-7035+4PSC4 - Housing set



1342851

<https://www.phoenixcontact.com/us/products/1342851>

ICS25-B122X98-V-7035 - Mounting base housing

2203885

<https://www.phoenixcontact.com/us/products/2203885>



DIN rail housing, Lower housing part with metal foot catch, Level 1: with vents, width: 25 mm, height: 122.5 mm, depth: 108.35 mm, color: light gray (similar RAL 7035), cross connection: DIN rail bus connector (optional), number of positions cross connector: 8

1342851

<https://www.phoenixcontact.com/us/products/1342851>

Technical data

Notes

| | |
|----------------|---|
| Assembly note | Please observe the assembly instructions available in the download area. |
| Recommendation | Material of contact pads for bus connector, galvanic gold (hard gold) |
| General | The PCB surface specification is for orientation purposes and is based on a basic PCB. The housing can also accommodate several PCBs. |

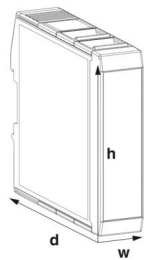
Product properties

| | |
|-----------------------------------|-----------------------|
| Product type | Stackable housing set |
| Housing type | DIN rail housing |
| Housing series | ICS |
| Number of positions | 16 |
| Max. number of positions | 16 (pitch: 5 mm) |
| Number of rows | 4 |
| Ventilation openings present | yes |
| Anzahl der Etagen Housing (Makro) | 3 (Both sides) |

Connection data

| | |
|-------------------|--------------------------------------|
| Connection method | Screw connection with tension sleeve |
|-------------------|--------------------------------------|

Dimensions

| | |
|---------------------------------|---|
| Dimensional drawing |  |
| Width | 25 mm |
| Height | 122.5 mm |
| Depth | 116.7 mm |
| Depth from top edge of DIN rail | 110 mm |

PCB design

| | |
|---------------|-------------------|
| PCB thickness | 1.4 mm ... 1.8 mm |
|---------------|-------------------|

Material specifications

| | |
|----------------------------|-----------------------|
| Color (Lower housing part) | light gray (RAL 7035) |
| Color (Upper housing part) | light gray (RAL 7035) |
| Material | PA |

1342851

<https://www.phoenixcontact.com/us/products/1342851>

| | |
|--|----|
| Flammability rating according to UL 94 | V0 |
|--|----|

Environmental and real-life conditions

Ambient conditions

| | |
|---|--|
| Max. IP code to attain | IP20 |
| Ambient temperature (operation) | -40 °C ... 105 °C (depending on power dissipation) |
| Ambient temperature (storage/transport) | -40 °C ... 55 °C |
| Ambient temperature (assembly) | -5 °C ... 100 °C |
| Relative humidity (storage/transport) | 80 % (maximum) |

PCB data

| | |
|-----------------------|-----------------------|
| Number of PCB holders | 2 |
| Type of PCB mount | Slot |
| Total PCB surface | 11900 mm ² |
| Thickness of the PCB | 1.4 mm ... 1.8 mm |

Mounting

| | |
|---------------|-------------------|
| Mounting type | DIN rail mounting |
|---------------|-------------------|

Packaging specifications

| | |
|----------------------|---------------------|
| Type of packaging | packed in cardboard |
| Outer packaging type | Carton |

Drawings

Dimensional drawing



Schematic figure for illustrating the item dimensions. The figure is not of the desired product. For further details, refer to the product drawings in the "Downloads" tab.

1342851

<https://www.phoenixcontact.com/us/products/1342851>

Classifications

ECLASS

| | |
|-------------|----------|
| ECLASS-13.0 | 27190301 |
| ECLASS-15.0 | 27190301 |

ETIM

| | |
|----------|----------|
| ETIM 9.0 | EC001031 |
|----------|----------|

UNSPSC

| | |
|-------------|----------|
| UNSPSC 21.0 | 31261500 |
|-------------|----------|

1342851

<https://www.phoenixcontact.com/us/products/1342851>

Environmental product compliance

EU RoHS

| | |
|---|--------------------|
| Fulfills EU RoHS substance requirements | Yes, No exemptions |
|---|--------------------|

China RoHS

| | |
|--|--|
| Environment friendly use period (EFUP) | EFUP-E |
| | No hazardous substances above the limits |

EU REACH SVHC

| | |
|-------------------------------------|----------------------------|
| REACH candidate substance (CAS No.) | No substance above 0.1 wt% |
|-------------------------------------|----------------------------|

Phoenix Contact 2026 © - all rights reserved
<https://www.phoenixcontact.com>

Phoenix Contact USA
586 Fulling Mill Road
Middletown, PA 17057, United States
(+717) 944-1300
info@phoenixcon.com