

AXL SE PD16 GND - Potential distributors



1337224

<https://www.phoenixcontact.com/us/products/1337224>

Please be informed that the data shown in this PDF document is generated from our online catalog. Please find the complete data in the user documentation. Our general terms of use for downloads are valid.

Axioline Smart Elements, Potential distribution module, GND, degree of protection: IP20



Product description

You can integrate Axioline Smart Elements into systems with the Smart Element interface. This Smart Element provides the ground (GND) of the 24 V I/O supply voltage U_P at 16 terminal points. The Smart Element thus enables you to connect sensors or actuators to the GND of the supply voltage U_P , which are connected to the AXL SE DI16/1 or AXL SE DO16/1 Smart Element, for example, using 1-conductor technology. You can also supply analog sensors with current or voltage signals using Smart Elements for potential distribution. Either use the AXL SE PD 24V and AXL SE PD16 GND Smart Elements or the AXL SE PD8/8 24V/GND Smart Element for this purpose.

Your advantages

- 16 terminal points, connected to the ground (GND) of the 24 V I/O supply U_P

Commercial data

Item number	1337224
Packing unit	1 pc
Minimum order quantity	1 pc
Sales key	DR05
Product key	DRIBZ4
GTIN	4063151639020
Weight per piece (including packing)	35.5 g
Weight per piece (excluding packing)	29 g
Customs tariff number	85369010
Country of origin	DE

Technical data

Dimensions

Dimensional drawing	
Width	14.9 mm
Height	62.2 mm
Depth	62 mm

Notes

Note on application

Note on application	Only for industrial use
---------------------	-------------------------

Material specifications

Color (Housing)	gray (RAL 7042)
-----------------	-----------------

Interfaces

Smart Element interface

Number of interfaces	1
Connection method	Card edge connector
Transmission speed	See system in which you use the Smart Element.

System properties

Programming data (LocalbusSlave)

Process data channel	0 bit
Input address area	0 Byte (All systems except PROFIBUS) 1 Byte (PROFIBUS)
Output address area	0 Byte

Fieldbus data telegram

Required parameter data	1 Byte
Required configuration data	6 Byte

Product properties

Product type	I/O component
Product family	Axiline Smart Elements
Type	modular
Mounting position	See the system in which the Smart Element is used.

1337224

<https://www.phoenixcontact.com/us/products/1337224>

Special properties	GND
Insulation characteristics	
Overvoltage category	II (IEC 60664-1, EN 60664-1)
Pollution degree	2 (IEC 60664-1, EN 60664-1)

Electrical properties

Maximum power dissipation for nominal condition	0 W
---	-----

Potentials: Communications power supply of the Smart Elements (U_{SE})

Supply voltage	U_{SE} is not used in this Smart Element.
----------------	---

Potentials: I/O supply (U_P)

Supply voltage	24 V DC (using card edge connectors)
Supply voltage range	19.2 V DC ... 30 V DC (including all tolerances, including ripple)
Current draw	max. 0 mA
Current consumption	min. 0 mA (without connected peripherals)
Protective circuit	Surge protection; See the system in which the Smart Element is used.
	Reverse polarity protection; Polarity protection diode
Protection	See the system in which the Smart Element is used.

Electrical isolation/isolation of the voltage ranges

Test voltage: Communications supply / 24 V supply (I/O)	500 V AC, 50 Hz, 1 min
Test voltage: Communications supply / functional ground	500 V AC, 50 Hz, 1 min
Test voltage: 24 V supply (I/O) / functional ground	500 V AC, 50 Hz, 1 min

Connection data

Connection technology

Connection name	I/O
Note on the connection method	Please observe the information provided on conductor cross-sections in the "AxioLine Smart Elements" user manual.

I/O

Connection method	Push-in connection
Note on the connection method	Please observe the information provided on conductor cross-sections in the "AxioLine Smart Elements" user manual.
Conductor cross-section, rigid	0.25 mm ² ... 1.5 mm ²
Conductor cross-section, flexible	0.25 mm ² ... 1.5 mm ²
Conductor cross-section AWG	24 ... 16
Conductor cross-section, flexible, with ferrule, with plastic sleeve	0.25 mm ² ... 1.5 mm ²
Conductor cross-section, flexible, with ferrule, without plastic sleeve	0.25 mm ² ... 1.5 mm ²
Conductor cross-section, flexible, with ferrule, with plastic sleeve	0.25 mm ² ... 1.5 mm ²
Stripping length	8 mm

Environmental and real-life conditions

AXL SE PD16 GND - Potential distributors



1337224

<https://www.phoenixcontact.com/us/products/1337224>

Ambient conditions

Ambient temperature (operation)	-25 °C ... 60 °C
Degree of protection	IP20
Air pressure (operation)	70 kPa ... 106 kPa (up to 3000 m above sea level)
Air pressure (storage/transport)	70 kPa ... 106 kPa (up to 3000 m above sea level)
Ambient temperature (storage/transport)	-40 °C ... 85 °C
Permissible humidity (operation)	5 % ... 95 % (non-condensing)
Permissible humidity (storage/transport)	5 % ... 95 % (non-condensing)

Mechanical test

Vibration resistance in accordance with EN 60068-2-6/IEC 60068-2-6	5g
Shock in accordance with EN 60068-2-27/IEC 60068-2-27	30g
Continuous shock in accordance with EN 60068-2-27/IEC 60068-2-27	10g

Standards and regulations

Protection class	III (IEC 61140, EN 61140, VDE 0140-1)
------------------	---------------------------------------

Mounting

Mounting type	Plug-in mounting (Smart Element slot)
Mounting position	See the system in which the Smart Element is used.

AXL SE PD16 GND - Potential distributors

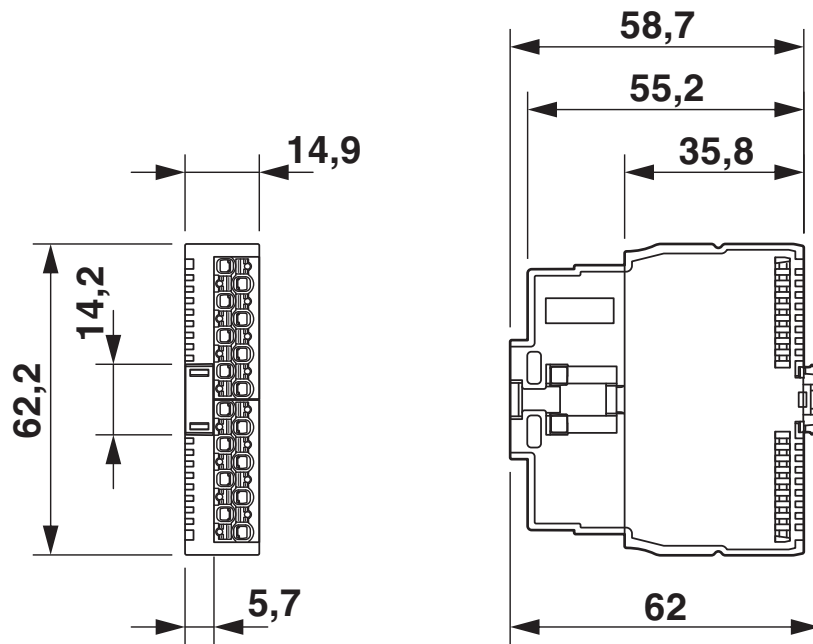


1337224

<https://www.phoenixcontact.com/us/products/1337224>

Drawings

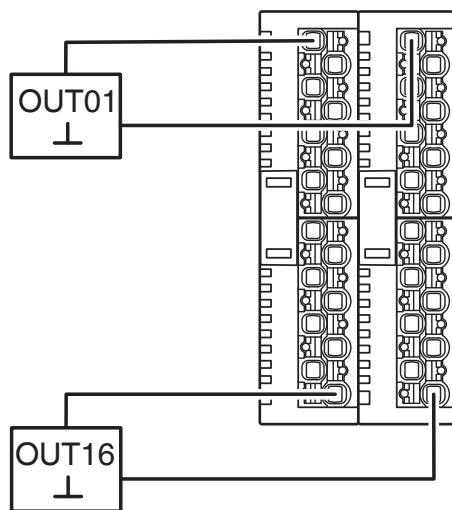
Dimensional drawing



Dimensions

Connection diagram

AXL SE DO16/1 AXL SE PD16 GND



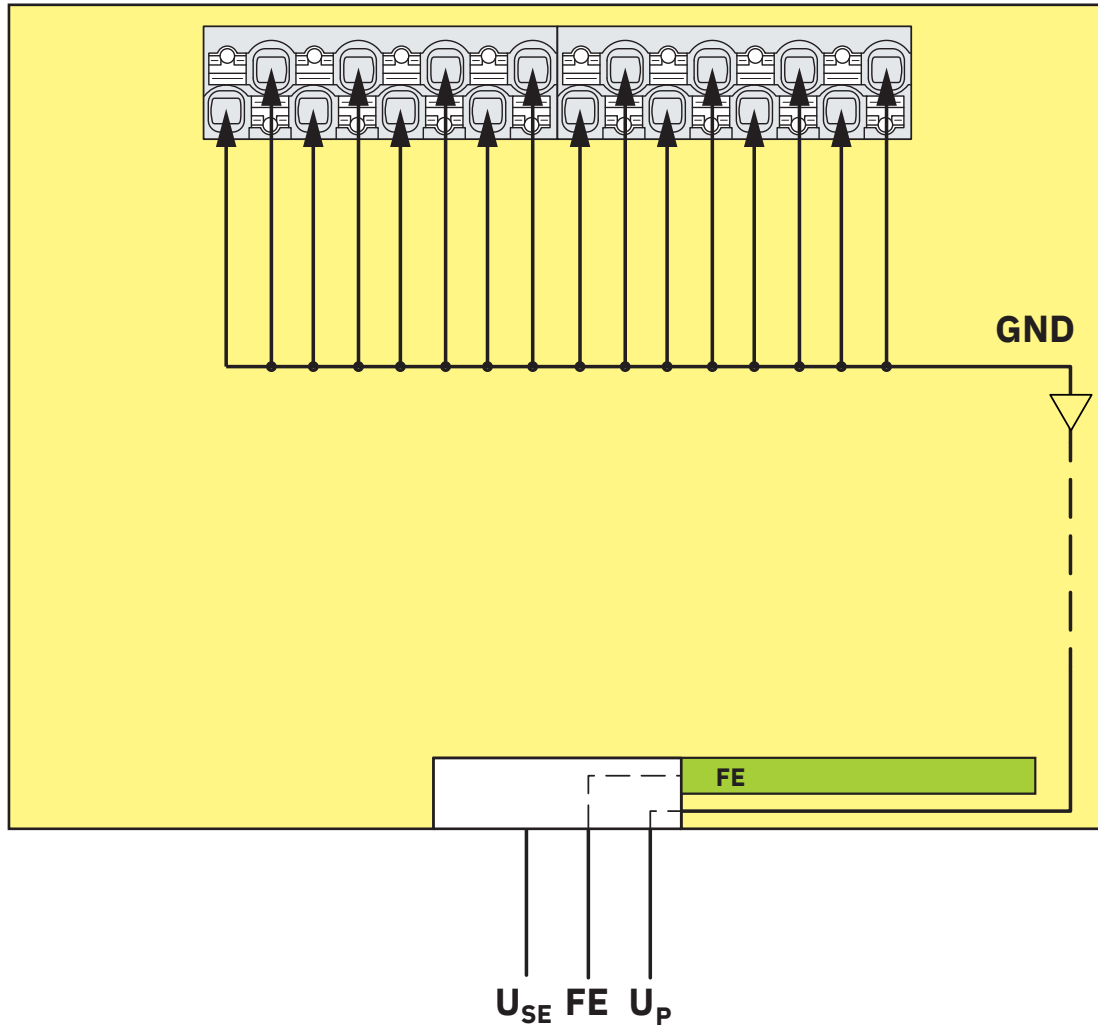
Connection example

AXL SE PD16 GND - Potential distributors

1337224

<https://www.phoenixcontact.com/us/products/1337224>

Block diagram



Basic circuit diagram

AXL SE PD16 GND - Potential distributors



1337224

<https://www.phoenixcontact.com/us/products/1337224>

Approvals

To download certificates, visit the product detail page: <https://www.phoenixcontact.com/us/products/1337224>



cULus Listed

Approval ID: E238705



cULus Listed

Approval ID: E238705

AXL SE PD16 GND - Potential distributors



1337224

<https://www.phoenixcontact.com/us/products/1337224>

Classifications

ECLASS

ECLASS-13.0	27242610
ECLASS-15.0	27242610

ETIM

ETIM 10.0	EC001600
-----------	----------

UNSPSC

UNSPSC 21.0	32151600
-------------	----------

AXL SE PD16 GND - Potential distributors



1337224

<https://www.phoenixcontact.com/us/products/1337224>

Environmental product compliance

EU RoHS

Fulfills EU RoHS substance requirements	Yes, No exemptions
---	--------------------

China RoHS

Environment friendly use period (EFUP)	EFUP-E
	No hazardous substances above the limits

EU REACH SVHC

REACH candidate substance (CAS No.)	No substance above 0.1 wt%
-------------------------------------	----------------------------

Phoenix Contact 2026 © - all rights reserved
<https://www.phoenixcontact.com>

Phoenix Contact USA
586 Fulling Mill Road
Middletown, PA 17057, United States
(+717) 944-1300
info@phoenixcon.com