

MACX-MR-C-10 - Monitoring relay



1336510

<https://www.phoenixcontact.com/us/products/1336510>

Please be informed that the data shown in this PDF document is generated from our online catalog. Please find the complete data in the user documentation. Our general terms of use for downloads are valid.



Current monitoring relay, 24 V AC/DC ... 240 V AC/DC wide range power supply, with adjustable threshold values, response delay, and the functions can be selected by configuration.

Commercial data

| | |
|--------------------------------------|---------------|
| Item number | 1336510 |
| Packing unit | 1 pc |
| Minimum order quantity | 1 pc |
| Sales key | C443 |
| Product key | DK6612 |
| GTIN | 4063151637057 |
| Weight per piece (including packing) | 208 g |
| Weight per piece (excluding packing) | 195 g |
| Customs tariff number | 85364900 |
| Country of origin | CN |

MACX-MR-C-10 - Monitoring relay



1336510

<https://www.phoenixcontact.com/us/products/1336510>

Technical data

Product properties

| | |
|-------------------------|--------------------------------|
| Product type | Current monitoring relay |
| Operating mode | Closed circuit or wire break |
| Mechanical service life | Approx. 1×10^7 cycles |

Insulation characteristics: Railway standard

| | |
|----------------------|-----|
| Overvoltage category | III |
| Pollution degree | 3 |

Electrical properties

| | |
|---|---|
| Rated impulse withstand voltage | 6 kV |
| Service life electrical | approx. 1×10^5 cycles, resistive load 2000 V A |
| Maximum power dissipation for nominal condition | 15 W |
| Mains type | 1-phase |

Railway standard

| | |
|--------------------------|-------|
| Rated insulation voltage | 600 V |
|--------------------------|-------|

Electrical isolation

| | |
|----------------------|-------|
| Electrical isolation | 300 V |
|----------------------|-------|

Supply

| | |
|---------------------------|--------------------------------------|
| Supply voltage range | 24 V AC ... 240 V AC -15 % ... +10 % |
| | 24 V DC ... 240 V DC -25 % ... +30 % |
| Nominal power consumption | 15 VA (1.5 W) |
| Frequency range | 48 Hz ... 400 Hz |

Input data

| | |
|----------------------------------|--------------------------------|
| Input name | Measuring input |
| Measured value | DC, AC sine (40 Hz ... 500 Hz) |
| Input current range | 0 A AC/DC ... 10 A AC/DC |
| Overload capacity | 15 A AC/DC |
| Input resistance current input | 5 mΩ |
| Frequency range | 48 Hz ... 400 Hz |
| Maximum temperature coefficient | 0.05 %/K |
| Setting range for response delay | 0 s ... 99.9 s |
| Function | Undercurrent |
| | Overcurrent |
| | Window |
| Basic accuracy | 1 % (>1 A) , ±10 mA (0...1 A) |
| Repeat accuracy | 0.5 % |
| Recovery time | 200 ms |

MACX-MR-C-10 - Monitoring relay



1336510

<https://www.phoenixcontact.com/us/products/1336510>

Output data

Switching

| | |
|---------------------------------------|--------------------------------|
| Contact switching type | 2 floating changeover contacts |
| Contact material | AgSnO ₂ |
| Maximum switching voltage | 250 V AC |
| Interrupting rating (ohmic load) max. | 2000 VA (8 A/250 V AC) |
| Output fuse | 8 A (fast-blow) |

Connection data

| | |
|----------------------------------|---|
| Connection method | Screw connection |
| Stripping length | 10 mm |
| Conductor cross-section rigid | 0.2 mm ² ... 2.5 mm ² |
| Conductor cross-section flexible | 0.2 mm ² ... 2.5 mm ² |
| Conductor cross-section AWG | 24 ... 14 |
| Tightening torque | 0.5 Nm ... 0.6 Nm (5 lb in ... 7 lb in) |

Dimensions

| | |
|--------|---------|
| Width | 22.5 mm |
| Height | 109 mm |
| Depth | 114 mm |

Material specifications

| | |
|--|-----|
| Flammability rating according to UL 94 | V0 |
| Housing insulation material | PBT |

Environmental and real-life conditions

Ambient conditions

| | |
|---|---|
| Degree of protection | IP40 (Housing) IP20 (Connection terminal blocks) |
| Ambient temperature (operation) | -25 °C ... 60 °C |
| Ambient temperature (storage/transport) | -40 °C ... 85 °C |
| Permissible humidity (operation) | 10 % ... 95 % |

Approvals

CE

| | |
|----------------|--------------|
| Identification | CE-compliant |
|----------------|--------------|

UL, USA/Canada

| | |
|----------------|-----------------------|
| Identification | UL/C-UL Listed UL 508 |
|----------------|-----------------------|

CCC

| | |
|----------------|--------------|
| Identification | GB/T 14048.5 |
|----------------|--------------|

Electronic devices in rail vehicles

MACX-MR-C-10 - Monitoring relay



1336510

<https://www.phoenixcontact.com/us/products/1336510>

| | |
|---|------------|
| Operating temperature class | OT4 |
| Class of extended operating temperature upon activation | ST2 |
| Temperature change class | H1 |
| Interruption of the power supply/supply changeover | S2 |
| | S3/C1 |
| | C2 |
| Hazard levels | HL1 |
| | HL2 |
| | HL3 |
| Protective coating | PC2 |
| Shock (operation) | Category 1 |
| Vibration (operation) | Class B |

EMC data

| | |
|-------------------------------|--|
| Electromagnetic compatibility | Conformance with EMC directive |
| Low Voltage Directive | Conformance with Low Voltage Directive |
| Noise immunity | EN 61000-6-2 |

Noise emission

| | |
|-----------------------|--------------|
| Standards/regulations | EN 61000-6-4 |
|-----------------------|--------------|

Standards and regulations

Railway standard

| | |
|----------------------|----------------------|
| Standard designation | EN 50155, GB/T 25119 |
|----------------------|----------------------|

Mounting

| | |
|-------------------|--|
| Assembly note | on standard DIN rail NS 35 in accordance with EN 60715 |
| Mounting position | any |

MACX-MR-C-10 - Monitoring relay

1336510

<https://www.phoenixcontact.com/us/products/1336510>



Drawings

Schematic diagram

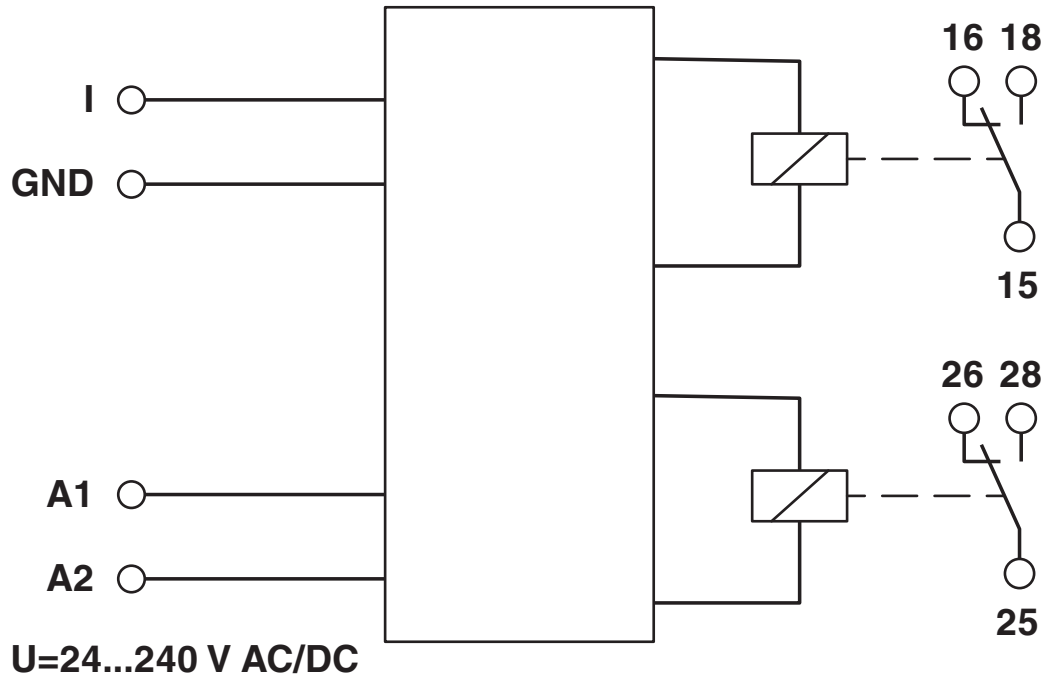


MACX-MR-C-10 - Monitoring relay

1336510

<https://www.phoenixcontact.com/us/products/1336510>

Block diagram



MACX-MR-C-10 - Monitoring relay



1336510

<https://www.phoenixcontact.com/us/products/1336510>

Approvals

To download certificates, visit the product detail page: <https://www.phoenixcontact.com/us/products/1336510>



CCC

Approval ID: 2024010303656845



cULus Listed

Approval ID: E172140V4S1

MACX-MR-C-10 - Monitoring relay



1336510

<https://www.phoenixcontact.com/us/products/1336510>

Classifications

ECLASS

| | |
|-------------|----------|
| ECLASS-13.0 | 27371802 |
| ECLASS-15.0 | 27371802 |

ETIM

| | |
|-----------|----------|
| ETIM 10.0 | EC001440 |
|-----------|----------|

MACX-MR-C-10 - Monitoring relay



1336510

<https://www.phoenixcontact.com/us/products/1336510>

Environmental product compliance

EU RoHS

| | |
|---|--------------|
| Fulfills EU RoHS substance requirements | Yes |
| Exemption | 7(a), 7(c)-I |

China RoHS

| | |
|--|---|
| Environment friendly use period (EFUP) | EFUP-50 |
| | An article-related China RoHS declaration table can be found in the download area for the respective article under "Manufacturer declaration". For all articles with EFUP-E, no China RoHS declaration table issued and required. |

EU REACH SVHC

| | |
|-------------------------------------|--------------------------------------|
| REACH candidate substance (CAS No.) | Lead(CAS: 7439-92-1) |
| SCIP | 5b3b8edf-8382-47bc-b4de-a2a5962ab0aa |

Phoenix Contact 2026 © - all rights reserved
<https://www.phoenixcontact.com>

Phoenix Contact USA
586 Fulling Mill Road
Middletown, PA 17057, United States
(+717) 944-1300
info@phoenixcon.com