

# MACX-MR-V-600-PT - Monitoring relay



1336507

<https://www.phoenixcontact.com/us/products/1336507>

Please be informed that the data shown in this PDF document is generated from our online catalog. Please find the complete data in the user documentation. Our general terms of use for downloads are valid.



1-phase voltage monitoring relay, 24 V AC/DC ... 240 V AC/DC wide range power supply, with adjustable threshold values, response delay, and the functions can be selected by configuration.

## Commercial data

|                                      |               |
|--------------------------------------|---------------|
| Item number                          | 1336507       |
| Packing unit                         | 1 pc          |
| Minimum order quantity               | 1 pc          |
| Sales key                            | C443          |
| Product key                          | DK6611        |
| GTIN                                 | 4063151636562 |
| Weight per piece (including packing) | 198.4 g       |
| Weight per piece (excluding packing) | 195 g         |
| Customs tariff number                | 85364900      |
| Country of origin                    | CN            |

# MACX-MR-V-600-PT - Monitoring relay



1336507

<https://www.phoenixcontact.com/us/products/1336507>

## Technical data

### Product properties

|                         |                                |
|-------------------------|--------------------------------|
| Product type            | Voltage monitoring relay       |
| Operating mode          | Closed circuit or wire break   |
| Mechanical service life | Approx. $1 \times 10^7$ cycles |

### Insulation characteristics: Railway standard

|                      |     |
|----------------------|-----|
| Overvoltage category | III |
| Pollution degree     | 3   |

### Electrical properties

|   |   |
|---|---|
| Rated impulse withstand voltage                 | 6 kV  |
| Service life electrical                         | approx. $1 \times 10^5$ cycles, resistive load 2000 V A |
| Maximum power dissipation for nominal condition | 15 W  |
| Mains type                                      | 1-phase   |

### Railway standard

|                          |       |
|--------------------------|-------|
| Rated insulation voltage | 600 V |
|--------------------------|-------|

### Electrical isolation

|                      |       |
|----------------------|-------|
| Electrical isolation | 300 V |
|----------------------|-------|

### Supply

|                           |                                      |
|---------------------------|--------------------------------------|
| Supply voltage range      | 24 V AC ... 240 V AC -15 % ... +10 % |
|                           | 24 V DC ... 240 V DC -25 % ... +30 % |
| Nominal power consumption | 15 VA (1.5 W)                        |
| Frequency range           | 48 Hz ... 400 Hz                     |

### Input data

|                                  |                                      |
|----------------------------------|--------------------------------------|
| Input name                       | Measuring input                      |
| Measured value                   | DC, AC sine (40 Hz ... 500 Hz)       |
| Input voltage range              | 0 V AC/DC ... 600 V AC/DC            |
| Frequency range                  | 48 Hz ... 400 Hz                     |
| Maximum temperature coefficient  | 0.05 %/K                             |
| Setting range for response delay | 0 s ... 99.9 s                       |
| Function                         | Undervoltage                         |
|                                  | Overvoltage                          |
|                                  | Window                               |
| Basic accuracy                   | 1 % (>50 V) , $\pm 0.5$ V (0...50 V) |
| Repeat accuracy                  | 0.5 %                                |
| Recovery time                    | 200 ms                               |

### Output data

#### Switching

# MACX-MR-V-600-PT - Monitoring relay



1336507

<https://www.phoenixcontact.com/us/products/1336507>

|                                       |                                |
|---------------------------------------|--------------------------------|
| Contact switching type                | 2 floating changeover contacts |
| Maximum switching voltage             | 250 V AC                       |
| Interrupting rating (ohmic load) max. | 2000 VA (8 A/250 V AC)         |
| Output fuse                           | 8 A (fast-blow)                |

## Connection data

|                                  |   |
|----------------------------------|---|
| Connection method                | Push-in connection                          |
| Stripping length                 | 10 mm                                       |
| Conductor cross-section rigid    | 0.2 mm <sup>2</sup> ... 2.5 mm <sup>2</sup> |
| Conductor cross-section flexible | 0.2 mm <sup>2</sup> ... 2.5 mm <sup>2</sup> |
| Conductor cross-section AWG      | 24 ... 14                                   |
| Tightening torque                | 0.5 Nm ... 0.6 Nm (5 lb in ... 7 lb in)     |

## Dimensions

|        |         |
|--------|---------|
| Width  | 22.5 mm |
| Height | 109 mm  |
| Depth  | 114 mm  |

## Material specifications

|  |     |
|--|-----|
| Flammability rating according to UL 94 | V0  |
| Housing insulation material            | PBT |

## Environmental and real-life conditions

### Ambient conditions

|   |   |
|---|---|
| Degree of protection                    | IP40 (Housing)<br>IP20 (Connection terminal blocks) |
| Ambient temperature (operation)         | -25 °C ... 70 °C                                    |
| Ambient temperature (storage/transport) | -40 °C ... 85 °C                                    |
| Permissible humidity (operation)        | 10 % ... 95 %                                       |

## Approvals

### CE

|                |              |
|----------------|--------------|
| Identification | CE-compliant |
|----------------|--------------|

### UL, USA/Canada

|                |                       |
|----------------|-----------------------|
| Identification | UL/C-UL Listed UL 508 |
|----------------|-----------------------|

### CCC

|                |              |
|----------------|--------------|
| Identification | GB/T 14048.5 |
|----------------|--------------|

### Electronic devices in rail vehicles

|   |          |
|---|----------|
| Operating temperature class                             | OT4      |
| Class of extended operating temperature upon activation | ST2      |
| Temperature change class                                | H1<br>S2 |

# MACX-MR-V-600-PT - Monitoring relay



1336507

<https://www.phoenixcontact.com/us/products/1336507>

|  |            |
|--|------------|
| Interruption of the power supply/supply changeover | S3/C1      |
|  | C2         |
| Hazard levels                                      | HL1        |
|  | HL2        |
|  | HL3        |
| Protective coating                                 | PC2        |
| Shock (operation)                                  | Category 1 |
| Vibration (operation)                              | Class B    |

## EMC data

|                               |  |
|-------------------------------|--|
| Electromagnetic compatibility | Conformance with EMC directive         |
| Low Voltage Directive         | Conformance with Low Voltage Directive |
| Noise immunity                | EN 61000-6-2                           |

### Noise emission

|                       |              |
|-----------------------|--------------|
| Standards/regulations | EN 61000-6-4 |
|-----------------------|--------------|

## Standards and regulations

### Railway standard

|                      |                      |
|----------------------|----------------------|
| Standard designation | EN 50155, GB/T 25119 |
|----------------------|----------------------|

## Mounting

|                   |  |
|-------------------|--|
| Assembly note     | on standard DIN rail NS 35 in accordance with EN 60715 |
| Mounting position | any  |

# MACX-MR-V-600-PT - Monitoring relay

1336507

<https://www.phoenixcontact.com/us/products/1336507>



## Drawings

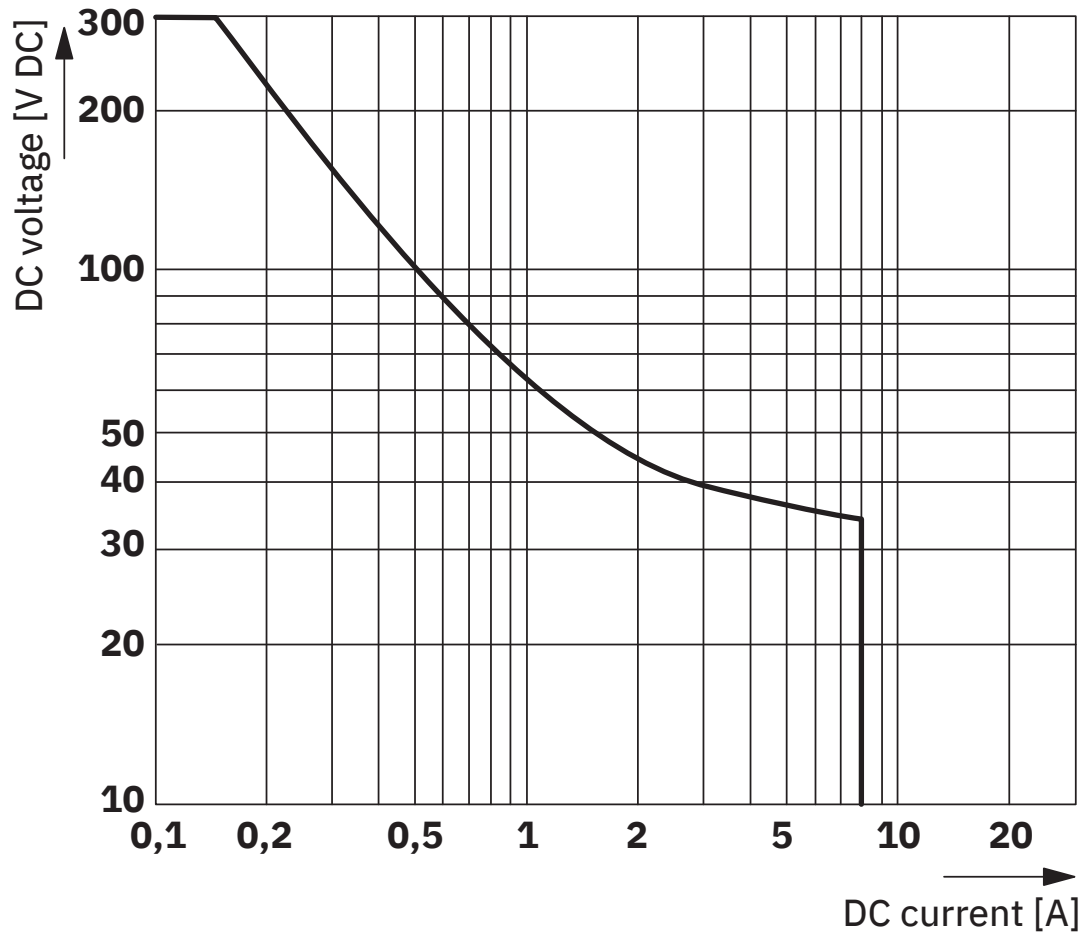
Schematic diagram



1336507

<https://www.phoenixcontact.com/us/products/1336507>

Diagram



Interrupting rating

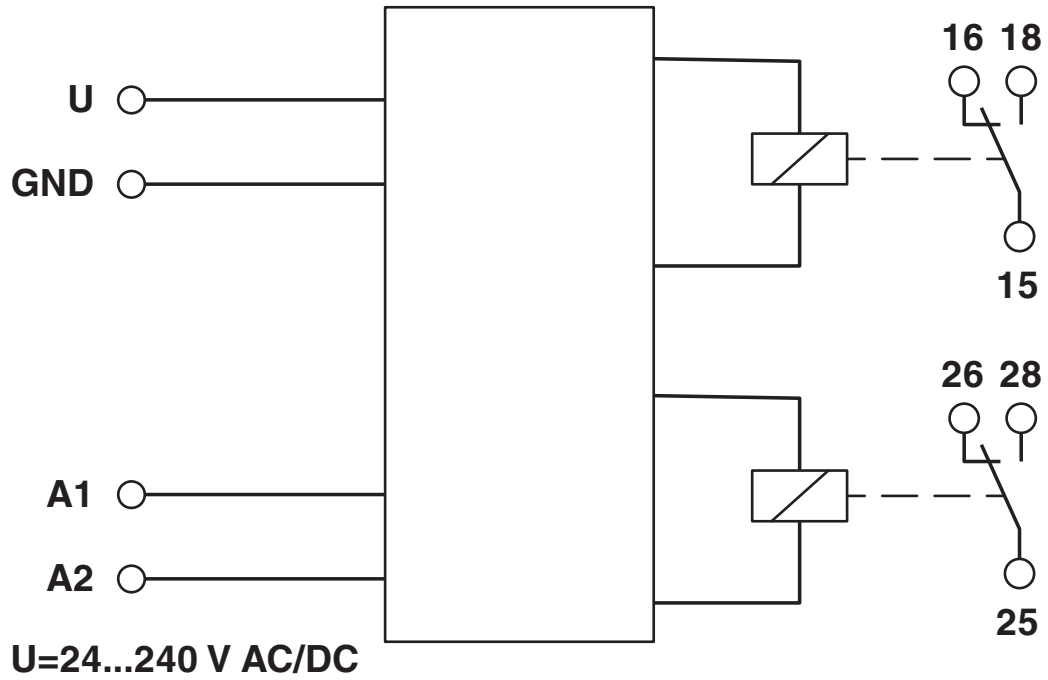
# MACX-MR-V-600-PT - Monitoring relay

1336507

<https://www.phoenixcontact.com/us/products/1336507>



Block diagram



# MACX-MR-V-600-PT - Monitoring relay



1336507

<https://www.phoenixcontact.com/us/products/1336507>

## Approvals

To download certificates, visit the product detail page: <https://www.phoenixcontact.com/us/products/1336507>



**CCC**

Approval ID: 2024010303656845



**cULus Listed**

Approval ID: E172140V4S1

# MACX-MR-V-600-PT - Monitoring relay



1336507

<https://www.phoenixcontact.com/us/products/1336507>

## Classifications

### ECLASS

|             |          |
|-------------|----------|
| ECLASS-13.0 | 27371801 |
| ECLASS-15.0 | 27371801 |

### ETIM

|           |          |
|-----------|----------|
| ETIM 10.0 | EC001438 |
|-----------|----------|

### UNSPSC

|             |          |
|-------------|----------|
| UNSPSC 21.0 | 41113600 |
|-------------|----------|

# MACX-MR-V-600-PT - Monitoring relay



1336507

<https://www.phoenixcontact.com/us/products/1336507>

## Environmental product compliance

### EU RoHS

|   |              |
|---|--------------|
| Fulfills EU RoHS substance requirements | Yes          |
| Exemption                               | 7(a), 7(c)-I |

### China RoHS

|  |   |
|--|---|
| Environment friendly use period (EFUP) | EFUP-50   |
|  | An article-related China RoHS declaration table can be found in the download area for the respective article under "Manufacturer declaration". For all articles with EFUP-E, no China RoHS declaration table issued and required. |

### EU REACH SVHC

|                                     |                                      |
|-------------------------------------|--------------------------------------|
| REACH candidate substance (CAS No.) | Lead(CAS: 7439-92-1)                 |
| SCIP                                | 5ea2dded-49e6-47e5-8a62-f8b50cff72ec |

Phoenix Contact 2026 © - all rights reserved

<https://www.phoenixcontact.com>

Phoenix Contact USA  
586 Fulling Mill Road  
Middletown, PA 17057, United States  
(+717) 944-1300  
[info@phoenixcon.com](mailto:info@phoenixcon.com)