

# MACX-MR-3V-690-PT - Monitoring relay



1336412

<https://www.phoenixcontact.com/us/products/1336412>

Please be informed that the data shown in this PDF document is generated from our online catalog. Please find the complete data in the user documentation. Our general terms of use for downloads are valid.



3-phase voltage monitoring relay, with overvoltage, undervoltage, window monitoring as well as phase sequence, phase loss failure, asymmetry (adjustable asymmetry) and neutral monitoring functions. 24 V AC/DC ... 240 V AC/DC wide range power supply, with adjustable threshold values, response delay, and supporting failure record storage and NFC communication. True RMS value test. Plug-in connection.

## Commercial data

Item number	1336412
Packing unit	1 pc
Minimum order quantity	1 pc
Sales key	C443
Product key	DK6611
GTIN	4063151636777
Weight per piece (including packing)	198.55 g
Weight per piece (excluding packing)	195 g
Customs tariff number	85364900
Country of origin	CN

# MACX-MR-3V-690-PT - Monitoring relay



1336412

<https://www.phoenixcontact.com/us/products/1336412>

## Technical data

### Product properties

Product type	Voltage monitoring relay
Operating mode	Closed circuit or wire break
Mechanical service life	Approx. $1 \times 10^7$ cycles

### Insulation characteristics

Overvoltage category	III
Pollution degree	3

### Electrical properties

Rated impulse withstand voltage	6 kV (Between the measuring circuit and other circuits)
Service life electrical	approx. $1 \times 10^5$ cycles, resistive load 2000 V A
Maximum power dissipation for nominal condition	15 W
Mains type	3-phase
Rated insulation voltage	690 V (Between the measuring circuit and other circuits)
	600 V (Between other circuits)

### Electrical isolation

Electrical isolation	300 V
----------------------	-------

### Supply

Supply voltage range	24 V AC ... 240 V AC -15 % ... +10 %
	24 V DC ... 240 V DC -25 % ... +30 %
	24 V ... 240 V AC -10 % ... +10 % (Railway application)
	48 V ... 110 V DC (Railway application)
Nominal power consumption	15 VA (1.5 W)
Frequency range	48 Hz ... 400 Hz

### Input data

Input name	Measuring input
Measured value	AC sine (48 Hz ... 63 Hz)
Input resistance of voltage input	1 M $\Omega$
Maximum temperature coefficient	0.05 %/K
Setting range for response delay	0 s ... 99.9 s
Min setting range of the voltage threshold value	160 V
Max. setting range of the voltage threshold value	690 V
Function	Undervoltage
	Overvoltage
	Window
	Asymmetry
	Phase sequence
	Phase failure
	Neutral conductor break

# MACX-MR-3V-690-PT - Monitoring relay



1336412

<https://www.phoenixcontact.com/us/products/1336412>

Basic accuracy	1 %
Repeat accuracy	0.5 %
Asymmetry	2 % ... 30 % / OFF
Recovery time	200 ms

## Output data

### Switching

Contact switching type	2 floating changeover contacts
Contact material	AgSnO
Maximum switching voltage	250 V AC
Interrupting rating (ohmic load) max.	2000 VA (8 A/250 V AC)
Output fuse	8 A (fast-blow)

## Connection data

Connection method	Push-in connection
Stripping length	10 mm
Conductor cross-section rigid	0.2 mm <sup>2</sup> ... 2.5 mm <sup>2</sup>
Conductor cross-section flexible	0.2 mm <sup>2</sup> ... 2.5 mm <sup>2</sup>
Conductor cross-section AWG	24 ... 14

## Dimensions

Width	22.5 mm
Height	109 mm
Depth	114 mm

## Material specifications

Flammability rating according to UL 94	V0
Housing insulation material	PBT

## Environmental and real-life conditions

### Ambient conditions

Degree of protection	IP40 (Housing) IP20 (Connection terminal blocks)
Ambient temperature (operation)	-25 °C ... 70 °C
Ambient temperature (storage/transport)	-40 °C ... 85 °C
Permissible humidity (operation)	10 % ... 95 %

## Approvals

### CE

Identification	CE-compliant
----------------	--------------

### UL, USA/Canada

Identification	UL/C-UL Listed UL 508
----------------	-----------------------

# MACX-MR-3V-690-PT - Monitoring relay



1336412

<https://www.phoenixcontact.com/us/products/1336412>

## CCC

Identification	GB/T 14048.5
----------------	--------------

## EMC data

Electromagnetic compatibility	Conformance with EMC directive
Low Voltage Directive	Conformance with Low Voltage Directive
Noise immunity	EN 61000-6-2

## Noise emission

Standards/regulations	EN 61000-6-4
-----------------------	--------------

## Standards and regulations

Standard designation	EN 50155, GB/T 25119
----------------------	----------------------

## Mounting

Mounting type	DIN rail mounting
Assembly note	on standard DIN rail NS 35 in accordance with EN 60715
Mounting position	any

# MACX-MR-3V-690-PT - Monitoring relay

1336412

<https://www.phoenixcontact.com/us/products/1336412>



## Drawings

Schematic diagram



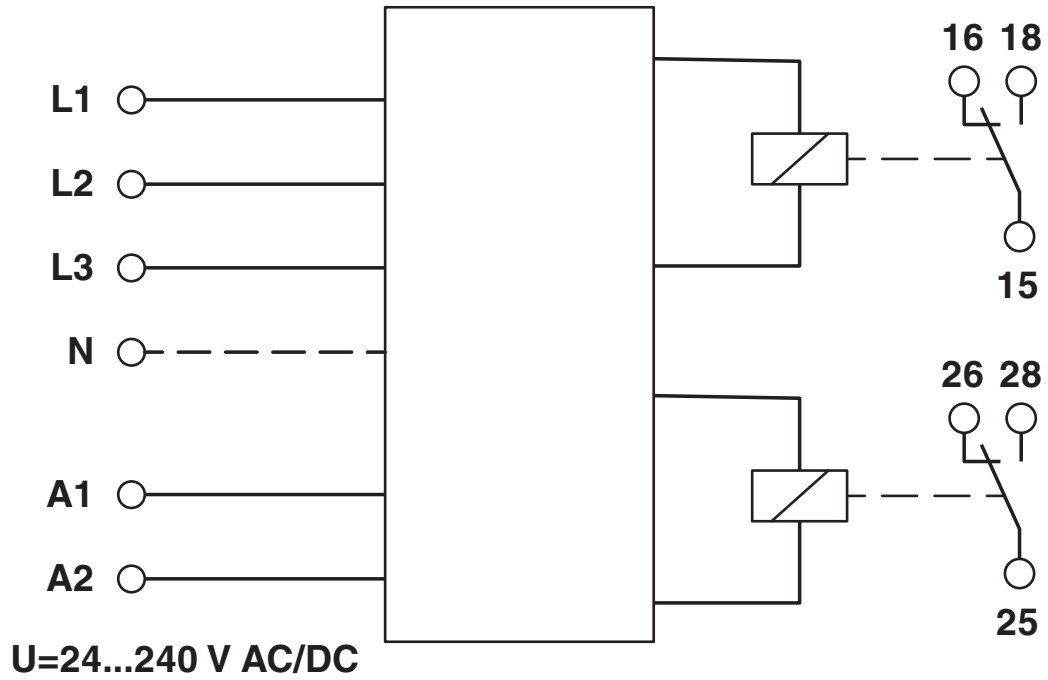
# MACX-MR-3V-690-PT - Monitoring relay



1336412

<https://www.phoenixcontact.com/us/products/1336412>

Block diagram



# MACX-MR-3V-690-PT - Monitoring relay



1336412

<https://www.phoenixcontact.com/us/products/1336412>

## Approvals

To download certificates, visit the product detail page: <https://www.phoenixcontact.com/us/products/1336412>



**CCC**

Approval ID: 2024010303656845



**cULus Listed**

Approval ID: E172140V4S1

# MACX-MR-3V-690-PT - Monitoring relay



1336412

<https://www.phoenixcontact.com/us/products/1336412>

## Classifications

### ECLASS

ECLASS-13.0	27371801
ECLASS-15.0	27371801

### ETIM

ETIM 10.0	EC001438
-----------	----------

### UNSPSC

UNSPSC 21.0	41113600
-------------	----------

# MACX-MR-3V-690-PT - Monitoring relay



1336412

<https://www.phoenixcontact.com/us/products/1336412>

## Environmental product compliance

### EU RoHS

Fulfills EU RoHS substance requirements	Yes
Exemption	7(a), 7(c)-I

### China RoHS

Environment friendly use period (EFUP)	EFUP-50
	An article-related China RoHS declaration table can be found in the download area for the respective article under "Manufacturer declaration". For all articles with EFUP-E, no China RoHS declaration table issued and required.

### EU REACH SVHC

REACH candidate substance (CAS No.)	Lead(CAS: 7439-92-1)
SCIP	dc43ab57-14e0-4484-918d-f518853ddcd0

Phoenix Contact 2026 © - all rights reserved

<https://www.phoenixcontact.com>

Phoenix Contact USA  
586 Fulling Mill Road  
Middletown, PA 17057, United States  
(+717) 944-1300  
[info@phoenixcon.com](mailto:info@phoenixcon.com)