

TTC-6P-4X1-24-PT-I - Surge protection device



1334594

<https://www.phoenixcontact.com/us/products/1334594>

Please be informed that the data shown in this PDF document is generated from our online catalog. Please find the complete data in the user documentation. Our general terms of use for downloads are valid.



Surge protection, consisting of protective plug and base element, with integrated status indicator for four signal wires with common reference potential, e.g., Digital IN/OUT.

Your advantages

- Efficient use of space: the narrowest pluggable surge protection solution for 4-conductor applications
- Easy function monitoring: on-site or optionally via remote signaling, with optical monitoring, without additional effort
- Servicing without affecting the signal: replace the surge protection module without affecting the measuring signal
- Flexible choice: Push-in Technology or screw connection

Commercial data

Item number	1334594
Packing unit	1 pc
Minimum order quantity	1 pc
Sales key	CL23
Product key	CL2162
GTIN	4063151634414
Weight per piece (including packing)	51.1 g
Weight per piece (excluding packing)	32.62 g
Customs tariff number	85363010
Country of origin	DE

TTC-6P-4X1-24-PT-I - Surge protection device



1334594

<https://www.phoenixcontact.com/us/products/1334594>

Technical data

Product properties

Product type	Surge protection for MCR technology
Product family	TERMITRAB complete
IEC test classification	C1
	C2
	C3
	D1
Type	DIN rail module, two-section, divisible

Insulation characteristics

Overvoltage category	III
Pollution degree	2

Electrical properties

Nominal voltage U_N	24 V DC
	24 V AC

Connection data

Connection method	Push-in connection
Conductor cross-section flexible	0.2 mm ² ... 2.5 mm ²
Conductor cross-section rigid	0.2 mm ² ... 4 mm ²
Conductor cross-section AWG	24 ... 12

Dimensions

Dimensional drawing	
Width	6.2 mm +0.1 mm
Height	125 mm
Depth	100 mm (incl. DIN rail 7.5 mm)

Material specifications

Color (Base element)	gray (RAL 7042)
Color (Male connector)	light gray (RAL 7035)
Flammability rating according to UL 94	V-0
Insulating material	PBT
Housing material	PBT

Mechanical properties

Mechanical data

TTC-6P-4X1-24-PT-I - Surge protection device



1334594

<https://www.phoenixcontact.com/us/products/1334594>

Open side panel	No
-----------------	----

Protective circuit

Direction of action	Line-Line & Line-Earth Ground
Nominal voltage U_N	24 V DC
	24 V AC
Maximum continuous operating voltage U_C	36 V DC
	26 V AC
Rated current	300 mA (40 °C)
Operating effective current I_C at U_C	$\leq 5 \mu\text{A}$
Protective conductor current I_{PE}	$\leq 5 \mu\text{A}$
Nominal discharge current I_n (8/20) μs (line-ground)	8 kA
Pulse discharge current I_{imp} (10/350) μs (line-earth)	1 kA
Total discharge current I_{Total} (8/20) μs	15 kA
Voltage protection level U_p (line-earth)	$\leq 180 \text{ V}$ (C1 - 1 kV / 500 A)
	$\leq 180 \text{ V}$ (C2 - 10 kV / 5 kA)
	$\leq 55 \text{ V}$ (C3 - 25 A)
Response time t_A (line-earth)	$\leq 100 \text{ ns}$
Input attenuation aE, sym.	typ. 0.3 dB ($\leq 10 \text{ MHz}/150 \Omega$)
Cut-off frequency f_g (3 dB), sym. in 150 Ω system	> 50 MHz
Capacity (Core-Earth)	typ. 50 pF
Resistance per path	3.3 $\Omega \pm 20 \%$
Surge protection fault message	optical
Max. required back-up fuse	315 mA (FF)
Impulse durability (line-earth)	C1 - 1 kV / 500 A
	C2 - 10 kV / 5 kA
	C3 - 100 A
	D1 - 1 kA
Pulse reset time (line-earth)	$\leq 25 \text{ ms}$

Additional technical data

Max. total discharge current $I_{total \max}$ (8/20) μs	20 kA
--	-------

Environmental and real-life conditions

Ambient conditions

Degree of protection	IP20
Ambient temperature (operation)	-40 °C ... 85 °C
Ambient temperature (storage/transport)	-40 °C ... 85 °C
Altitude	$\leq 4000 \text{ m}$ (amsl)
Permissible humidity (operation)	5 % ... 95 %

Standards and regulations

Standards/specifications	IEC 61643-21
Note	2000 + corrigendum 2001 + A1:2008, modified + A2:2012

TTC-6P-4X1-24-PT-I - Surge protection device



1334594

<https://www.phoenixcontact.com/us/products/1334594>

Standards/specifications	EN 61643-21
Note	2001 + A1:2009 + A2:2013

Mounting

Mounting type	DIN rail: TH 35 - 7.5 mm
---------------	--------------------------

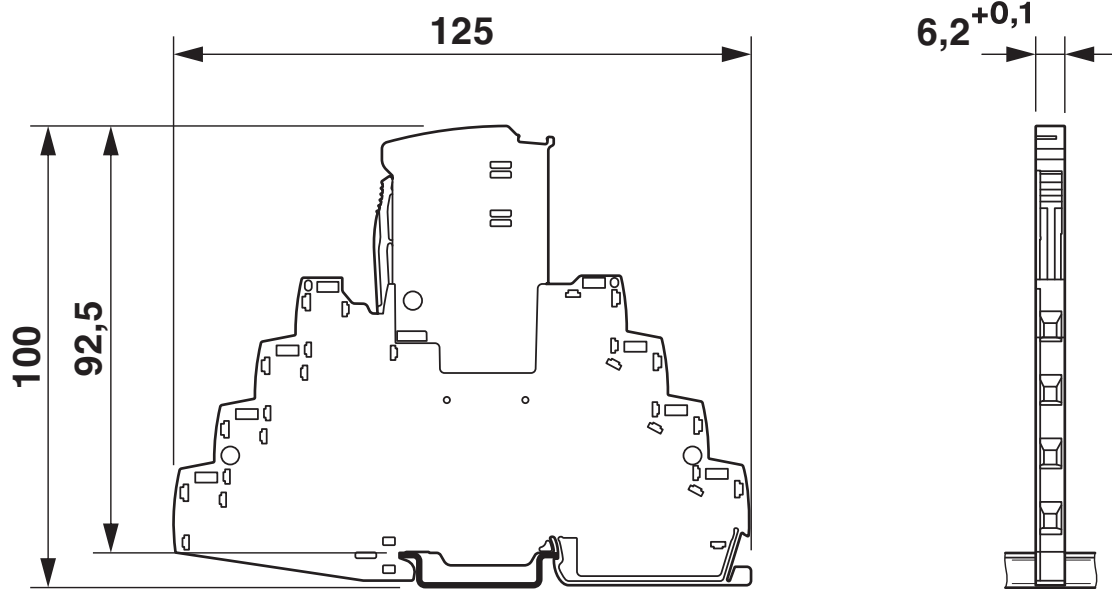
TTC-6P-4X1-24-PT-I - Surge protection device

1334594

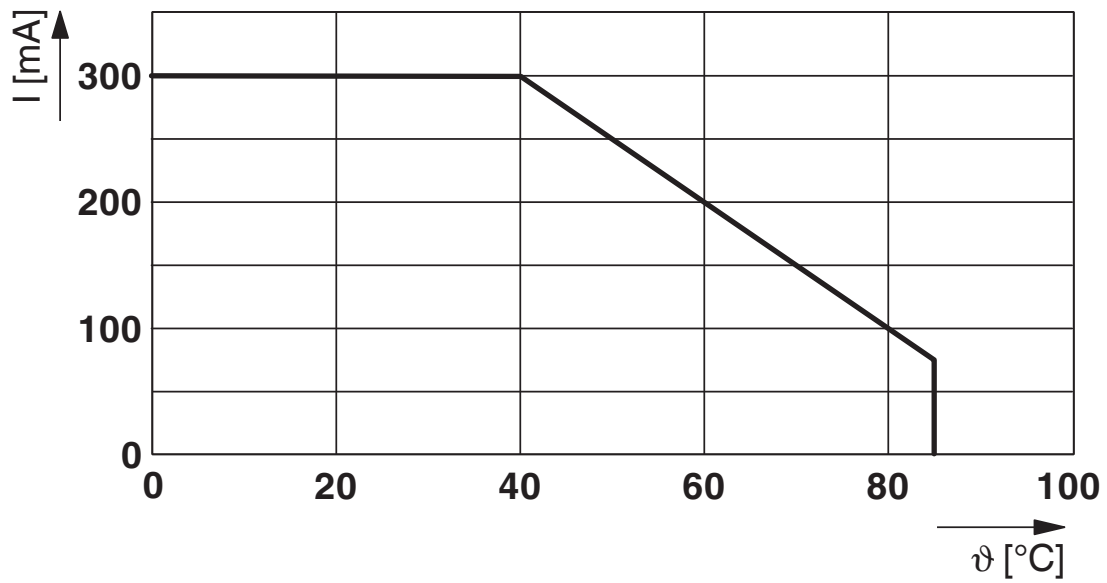
<https://www.phoenixcontact.com/us/products/1334594>

Drawings

Dimensional drawing



Diagram



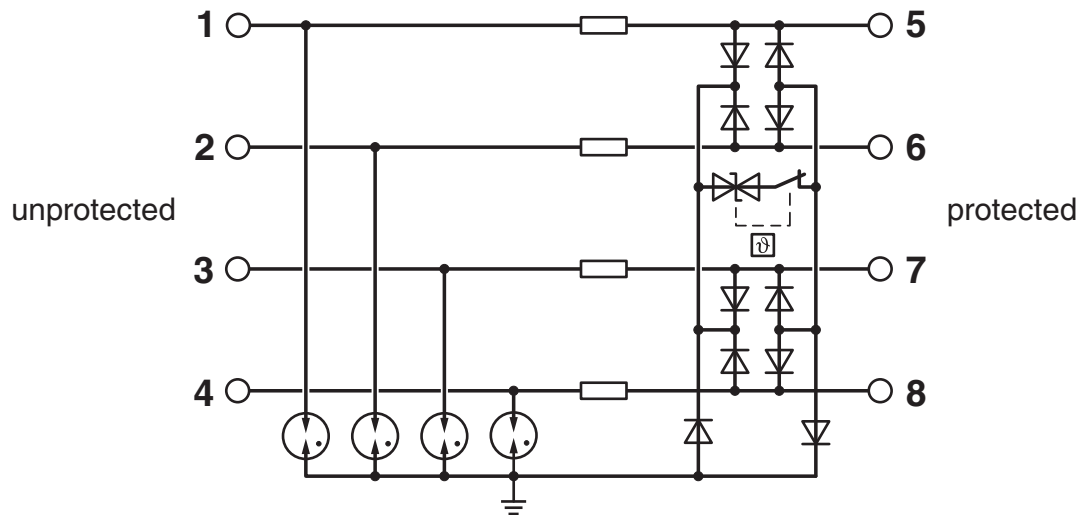
TTC-6P-4X1-24-PT-I - Surge protection device



1334594

<https://www.phoenixcontact.com/us/products/1334594>

Circuit diagram



TTC-6P-4X1-24-PT-I - Surge protection device



1334594

<https://www.phoenixcontact.com/us/products/1334594>

Approvals

🔗 To download certificates, visit the product detail page: <https://www.phoenixcontact.com/us/products/1334594>



DNV GL

Approval ID: TAE000027G



UL Listed

Approval ID: FILE E 138168



cULus Listed

Approval ID: File E 333250

TTC-6P-4X1-24-PT-I - Surge protection device



1334594

<https://www.phoenixcontact.com/us/products/1334594>

Classifications

ECLASS

ECLASS-13.0	27171501
ECLASS-15.0	27171501

ETIM

ETIM 10.0	EC001466
-----------	----------

UNSPSC

UNSPSC 21.0	39121600
-------------	----------

TTC-6P-4X1-24-PT-I - Surge protection device



1334594

<https://www.phoenixcontact.com/us/products/1334594>

Environmental product compliance

EU RoHS

Fulfills EU RoHS substance requirements	Yes
Exemption	7(a), 7(c)-I

China RoHS

Environment friendly use period (EFUP)	EFUP-50
	An article-related China RoHS declaration table can be found in the download area for the respective article under "Manufacturer declaration". For all articles with EFUP-E, no China RoHS declaration table issued and required.

EU REACH SVHC

REACH candidate substance (CAS No.)	Lead(CAS: 7439-92-1)
SCIP	319cbb9f-2709-4e86-bf6e-2289b274b45a

Phoenix Contact 2026 © - all rights reserved

<https://www.phoenixcontact.com>

Phoenix Contact USA
586 Fulling Mill Road
Middletown, PA 17057, United States
(+717) 944-1300
info@phoenixcon.com