

CHARX T1HI-ELOCK12V - Locking

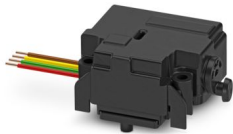


1331528

<https://www.phoenixcontact.com/us/products/1331528>

Please be informed that the data shown in this PDF document is generated from our online catalog. Please find the complete data in the user documentation. Our general terms of use for downloads are valid.

CHARX connect universal, Type 1, Locking, Accessories, Single-core wires connected at one end, length: 1 m, locking actuator: 12 V, 4-pos., for mounting on vehicle charging inlets, IEC 61851-1



The figure shows a version of the product

Product description

Locking actuator with 12 V power supply for infrastructure charging sockets

Your advantages

- Integrated interlock during charging
- Manual emergency release of the locking actuator
- Developed and produced in accordance with the IATF 16949 automotive standard and ISO 9001
- Uniform, space-saving installation space

Commercial data

Item number	1331528
Packing unit	1 pc
Minimum order quantity	1 pc
Sales key	EM01
Product key	XWCAFO
GTIN	4063151627355
Weight per piece (including packing)	195.5 g
Weight per piece (excluding packing)	135 g
Customs tariff number	85011099
Country of origin	DE

CHARX T1HI-ELOCK12V - Locking



1331528

<https://www.phoenixcontact.com/us/products/1331528>

Technical data

Product properties

Product type	Locking actuator
Product family	CHARX connect universal
Type	Accessories
Charging standard	Type 1
Charging mode	Mode 2, 3, 4

Electrical properties

Locking actuator

Locking actuator	12 V, 4-pos. Position can be freely selected
Possible power supply range at the motor	9 V ... 16 V
Maximum voltage for locking detection	12 V
Typical motor current for locking	0.25 A
Reverse current of the motor	max. 1.5 A
Max. dwell time with reverse current	1 s
Recommended adaptation time	600 ms
Pause time after entry or exit path	3 s
Service life insertion cycles	> 10000 load cycles
Lock recognition	available
Mechanical emergency release	available
Ambient temperature (operation)	-40 °C ... 90 °C
Cable length	1.5 m
Cable structure	4 x 0.5 mm ²
Bending radius	15 mm
External cable diameter	1.60 mm ±0.20 mm
Cable weight	7.00 kg/km
Cable resistance	≤ 37.1 Ω/m
Single wire, color	BU/RD, BU/GN, BU/YE, BU/BN

Cable/line

Cable length	1 m
Cable type	Single-core wires connected at one end
Cable structure	4 x 0.5 mm ²
Single wire, material	PVC
Single wire, color	BU/RD BU/GN BU/YE BU/BN
External cable diameter	1.60 mm ±0.20 mm
Cable resistance	≤ 37.1 Ω/m

CHARX T1HI-ELOCK12V - Locking



1331528

<https://www.phoenixcontact.com/us/products/1331528>

Environmental and real-life conditions

Ambient conditions

Ambient temperature (operation)	-30 °C ... 50 °C
Ambient temperature (storage/transport)	-40 °C ... 80 °C

Standards and regulations

Standards

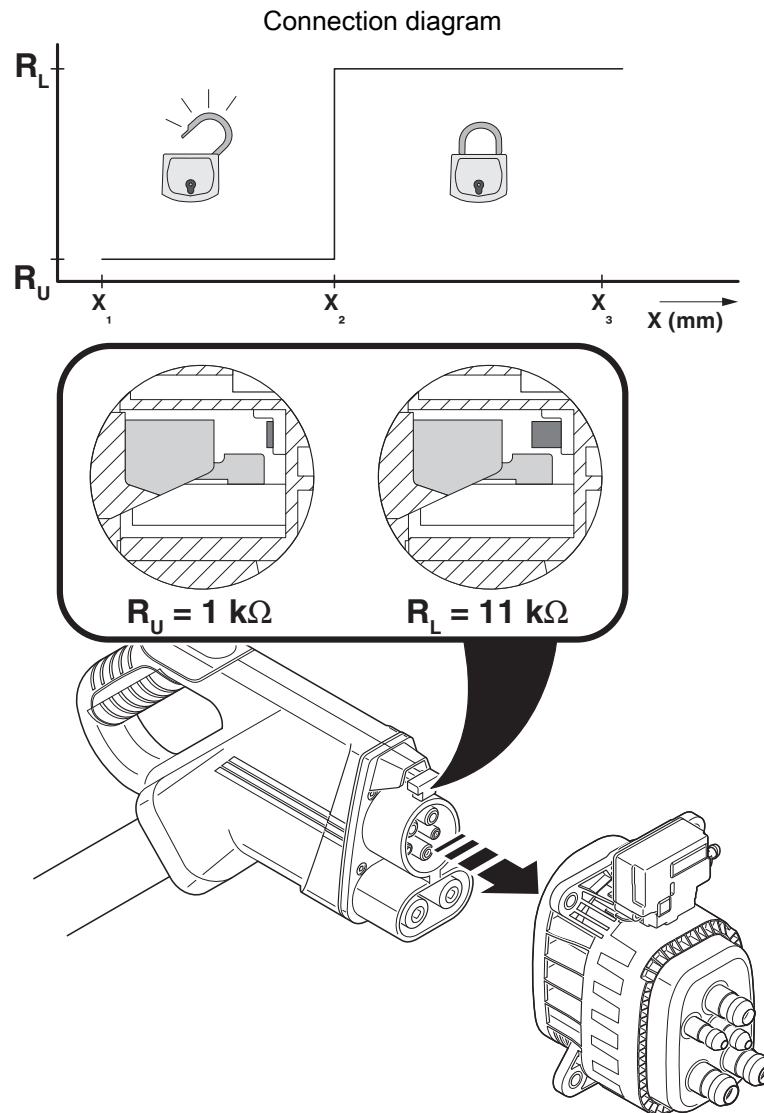
Standards/regulations	IEC 61851-1
-----------------------	-------------

CHARX T1HI-ELOCK12V - Locking

1331528

<https://www.phoenixcontact.com/us/products/1331528>

Drawings



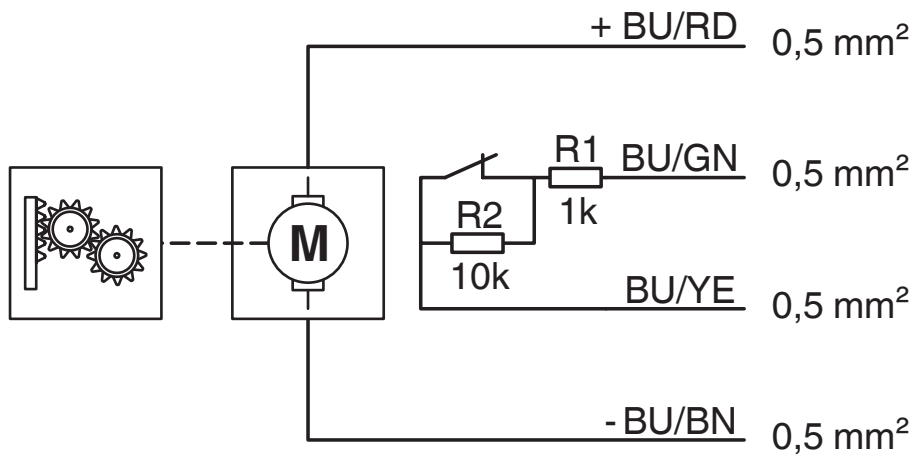
Detection for Vehicle Connector

CHARX T1HI-ELOCK12V - Locking

1331528

<https://www.phoenixcontact.com/us/products/1331528>

Schematic diagram

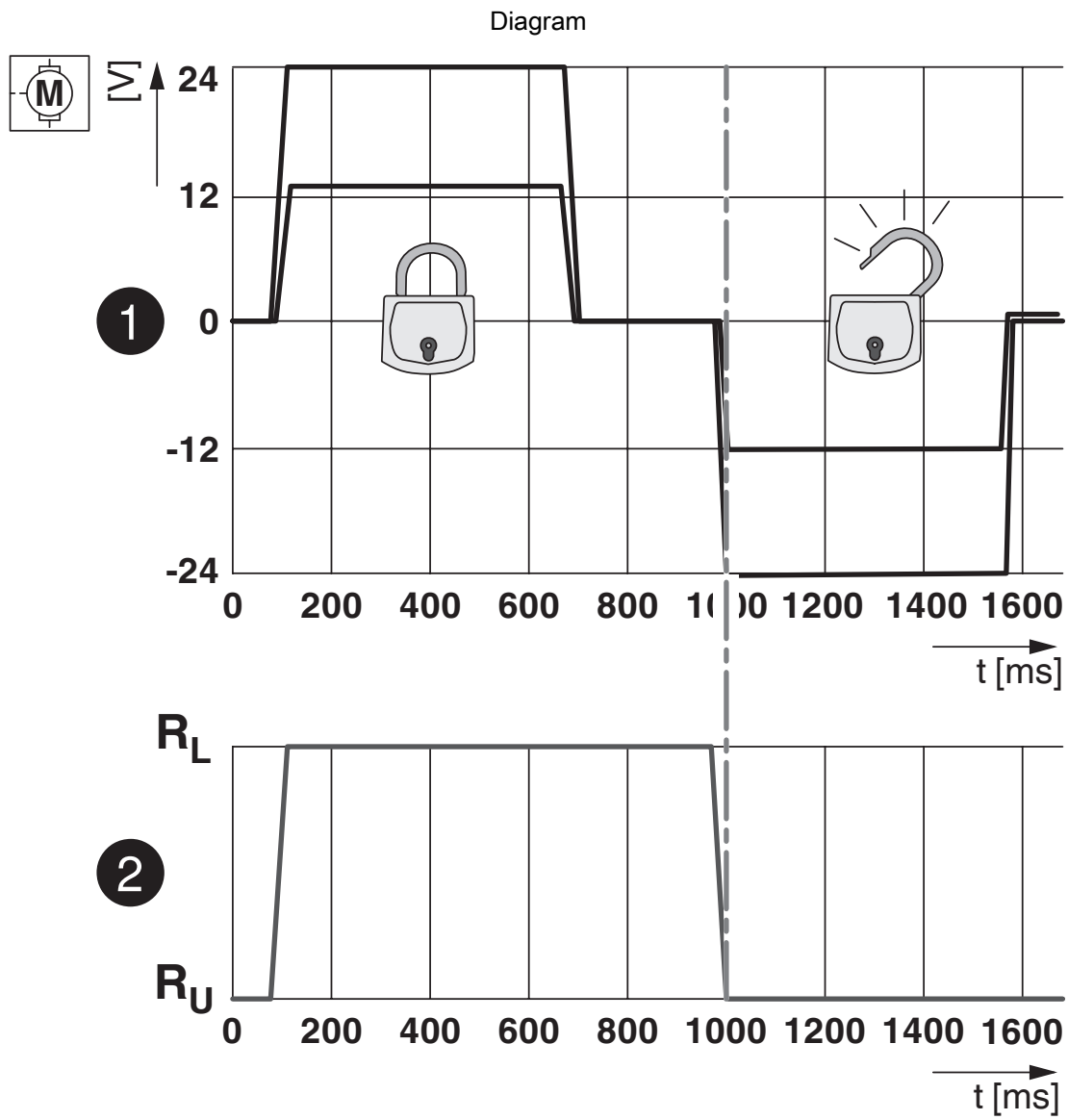


Block diagram of the locking actuator

CHARX T1HI-ELOCK12V - Locking

1331528

<https://www.phoenixcontact.com/us/products/1331528>



Locking states of the locking actuator

CHARX T1HI-ELOCK12V - Locking



1331528

<https://www.phoenixcontact.com/us/products/1331528>

Classifications

ECLASS

ECLASS-13.0	27144792
ECLASS-15.0	27144792

ETIM

ETIM 10.0	EC002884
-----------	----------

UNSPSC

UNSPSC 21.0	39121500
-------------	----------

CHARX T1HI-ELOCK12V - Locking



1331528

<https://www.phoenixcontact.com/us/products/1331528>

Environmental product compliance

EU RoHS

Fulfills EU RoHS substance requirements	Yes, No exemptions
---	--------------------

China RoHS

Environment friendly use period (EFUP)	EFUP-E
	No hazardous substances above the limits

EU REACH SVHC

REACH candidate substance (CAS No.)	No substance above 0.1 wt%
-------------------------------------	----------------------------

Phoenix Contact 2026 © - all rights reserved
<https://www.phoenixcontact.com>

Phoenix Contact USA
586 Fulling Mill Road
Middletown, PA 17057, United States
(+717) 944-1300
info@phoenixcon.com