

ICE50-R122X22-A1 - Heatsink



1328707

<https://www.phoenixcontact.com/us/products/1328707>

Please be informed that the data shown in this PDF document is generated from our online catalog. Please find the complete data in the user documentation. Our general terms of use for downloads are valid.

Heatsink for housing series: ICS, material: Aluminum, anodized, product range: ICS50-..122X.., width: 22.4 mm, height: 50.1 mm, Individual milling possible.



Your advantages

- Heatsinks enable the finished devices to be used in thermally demanding applications
- Reliable heat dissipation with passive heatsinks
- Variable positioning of the heatsink base for electronic components of different heights
- Large installation space in the housing with space-saving heatsink fillers
- Tailored system solution comprised of a housing, connection technology, heatsink, and additional accessories

Commercial data

Item number	1328707
Packing unit	10 pc
Minimum order quantity	10 pc
Product key	ACHAEF
GTIN	4063151622411
Weight per piece (including packing)	154.17 g
Weight per piece (excluding packing)	112 g
Country of origin	CN

ICE50-R122X22-A1 - Heatsink

1328707

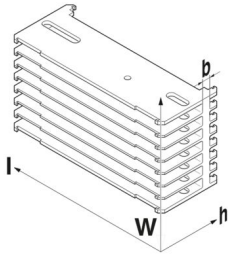
<https://www.phoenixcontact.com/us/products/1328707>

Technical data

Product properties

Product type	Heatsink
Housing type	Heatsink
Housing series	ICS
Product family	ICS50-..122X..

Dimensions

Dimensional drawing	
Width	22.4 mm
Height	50.1 mm
Length	127.5 mm
Base panel thickness [b]	5.8 mm

Material specifications

Color (Heatsink)	aluminum color
Material	Aluminum
Surface characteristics	anodized
Thermal resistance R_{th}	3.4 K/W (At ΔT 65 K for ambient temperature) 4.7 K/W (At ΔT 5 K for ambient temperature)

Environmental and real-life conditions

Vibration test

Specification	IEC 60068-2-6:2007-12
Frequency	10 - 150 - 10 Hz
Sweep speed	1 octave/min
Amplitude	0.15 mm (10 Hz ... 58.1 Hz)
Acceleration	2g (58.1 Hz ... 150 Hz)
Test duration per axis	2.5 h
Test directions	X-, Y- and Z-axis

Shocks

Specification	IEC 60068-2-27:2008-02
Pulse shape	Semi-sinusoidal
Acceleration	15g

ICE50-R122X22-A1 - Heatsink



1328707

<https://www.phoenixcontact.com/us/products/1328707>

Shock duration	11 ms
Number of shocks per direction	3
Test directions	X-, Y- and Z-axis (pos. and neg.)

Test for substances that would hinder coating with paint or varnish

Specification	VDMA 24364:2018-05
Result	Test passed

Ambient conditions

Ambient temperature (storage/transport)	-40 °C ... 55 °C
Ambient temperature (assembly)	-5 °C ... 100 °C

Mounting

Mounting type	Slot
---------------	------

Packaging specifications

Type of packaging	Box packaging
-------------------	---------------

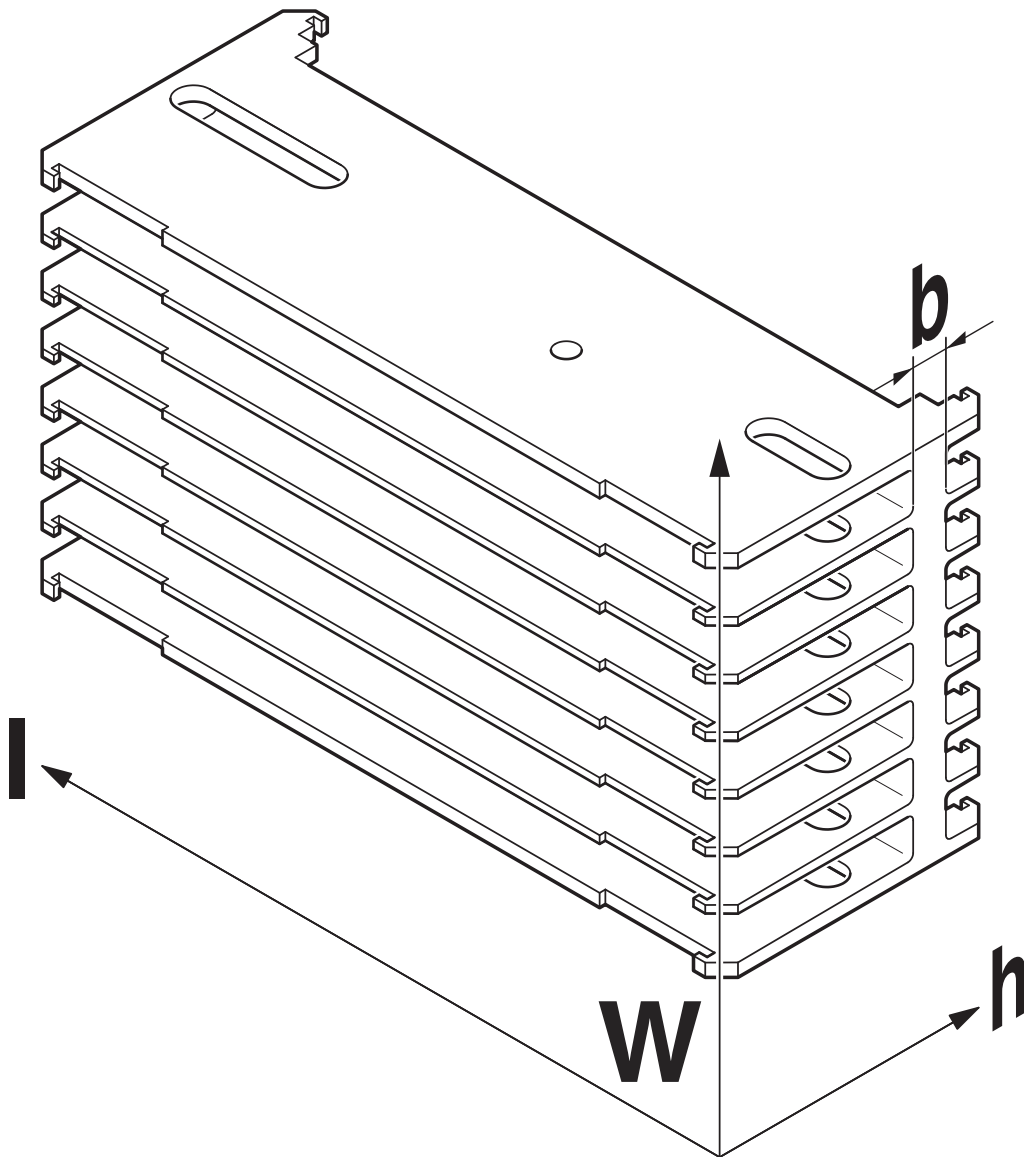
ICE50-R122X22-A1 - Heatsink

1328707

<https://www.phoenixcontact.com/us/products/1328707>

Drawings

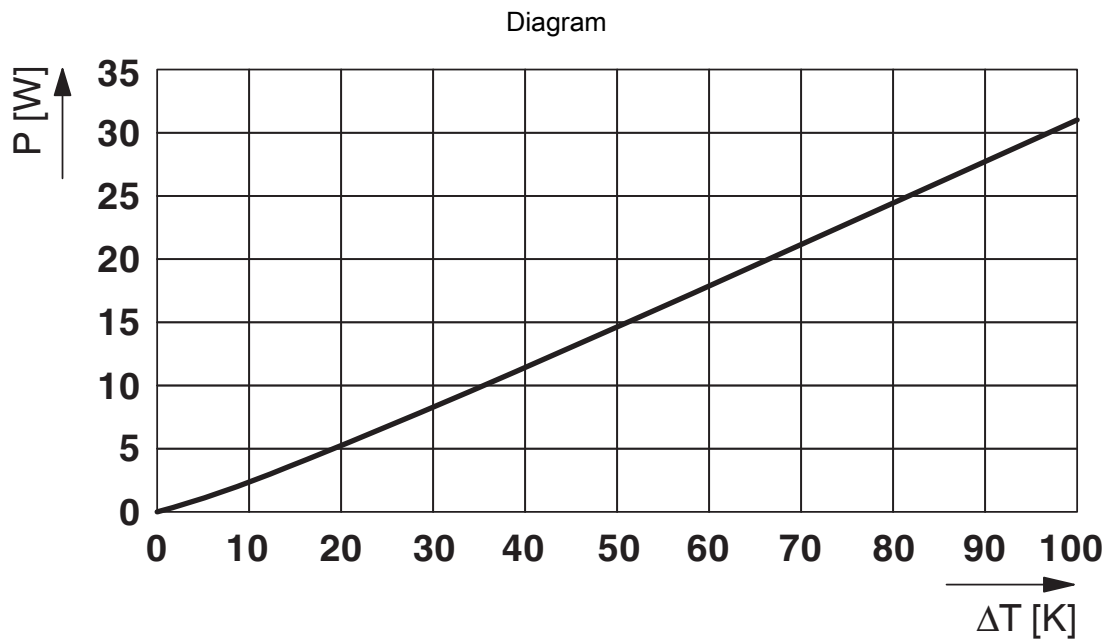
Dimensional drawing



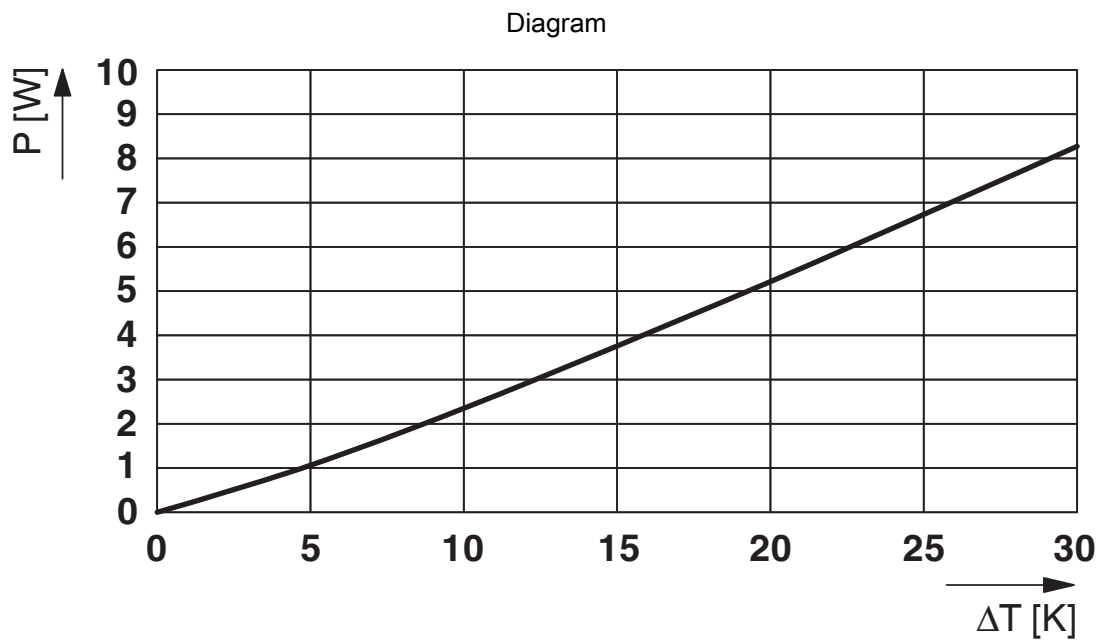
Schematic figure for illustrating the item dimensions. The figure is not of the desired product. For further details, refer to the product drawings in the "Downloads" tab.

1328707

<https://www.phoenixcontact.com/us/products/1328707>



Power dissipation diagram for 0 K ... 100 K



Power dissipation diagram for 0 K ... 30 K

ICE50-R122X22-A1 - Heatsink



1328707

<https://www.phoenixcontact.com/us/products/1328707>

Classifications

ECLASS

ECLASS-13.0	27260501
ECLASS-15.0	27260501

UNSPSC

UNSPSC 21.0	32131000
-------------	----------

ICE50-R122X22-A1 - Heatsink



1328707

<https://www.phoenixcontact.com/us/products/1328707>

Environmental product compliance

EU RoHS

Fulfills EU RoHS substance requirements	Yes, No exemptions
---	--------------------

China RoHS

Environment friendly use period (EFUP)	EFUP-E
	No hazardous substances above the limits

EU REACH SVHC

REACH candidate substance (CAS No.)	No substance above 0.1 wt%
-------------------------------------	----------------------------

Phoenix Contact 2026 © - all rights reserved
<https://www.phoenixcontact.com>

Phoenix Contact USA
586 Fulling Mill Road
Middletown, PA 17057, United States
(+717) 944-1300
info@phoenixcon.com