

PLD E 409 W 350 MS - LED enclosure light



1319573

<https://www.phoenixcontact.com/us/products/1319573>

Please be informed that the data shown in this PDF document is generated from our online catalog. Please find the complete data in the user documentation. Our general terms of use for downloads are valid.



LED enclosure light, 24 V AC/DC ... 265 V AC/DC, length: 350 mm, degree of protection: IP20, can be swiveled ($\pm 90^\circ$ swivel range), with motion detector, including mounting accessories

Product description

The LED light is designed to illuminate the interior of control cabinets. The prismatic integrated into the light cover ensures optimum illumination of the control cabinet. You can use magnets or screws to affix the light holder. The light can swivel in the holder. Connect the supply voltage to the light via Push-in connection. You do not require special connectors for this. You can connect several lights in succession. As soon as you have supplied the light with voltage, it is ready for operation and is in motion detector mode (delivery state) or in continuous ON mode. You can switch between motion detector mode and continuous ON mode via a button.

Your advantages

- Series connection reduces cabling effort for control cabinets arranged in series
- Optimum lighting of the control cabinet, thanks to integrated prisms and capacity to swivel
- Wide range input 24 V AC/DC ... 265 V AC/DC
- Extended temperature range of -25°C ... $+70^\circ\text{C}$ (at 24 V DC)
- LED service life of 50,000 h (L70 value) prevents bulb replacement
- Motion detector

Commercial data

| | |
|--------------------------------------|---------------|
| Item number | 1319573 |
| Packing unit | 1 pc |
| Minimum order quantity | 1 pc |
| Sales key | DR08 |
| Product key | DRL232 |
| GTIN | 4063151604172 |
| Weight per piece (including packing) | 232.2 g |
| Weight per piece (excluding packing) | 150 g |
| Customs tariff number | 94054231 |
| Country of origin | DE |

PLD E 409 W 350 MS - LED enclosure light



1319573

<https://www.phoenixcontact.com/us/products/1319573>

Technical data

Notes

Note on application

| | |
|---------------------|-------------------------|
| Note on application | Only for industrial use |
|---------------------|-------------------------|

Product properties

| | |
|--------------------|--|
| Product type | Enclosure light |
| Application | Control cabinet |
| Mounting position | any |
| Special properties | can be swiveled ($\pm 90^\circ$ swivel range) with motion detector including mounting accessories |
| Socket type | No socket |

Electrical properties

Supply: Module electronics

| | |
|----------------------|--|
| Connection method | Push-in connection |
| Number of positions | 2 |
| Supply voltage range | 24 V AC/DC ... 265 V AC/DC (50/60 Hz (AC)) |
| Current consumption | 250 mA (24 V DC) 28 mA (240 V / 50 Hz) |
| Power consumption | 6 W |

Connection data

| | |
|---|--|
| Connection method | Push-in connection |
| Conductor cross-section, rigid | 0.13 mm ² ... 1.5 mm ² |
| Conductor cross-section, flexible | 0.13 mm ² ... 1.5 mm ² |
| Conductor cross-section AWG | 24 ... 16 |
| Conductor cross-section, flexible, with ferrule, with plastic sleeve | 0.5 mm ² ... 0.75 mm ² (DIN 46228-4) |
| Conductor cross-section, flexible, with ferrule, without plastic sleeve | 0.5 mm ² ... 1.5 mm ² (DIN 46228-1) 0.5 mm ² ... 1.5 mm ² (DIN 46228-1) |
| Conductor cross-section, flexible, with ferrule, with plastic sleeve | 0.5 mm ² ... 0.75 mm ² (DIN 46228-4) |
| Stripping length | 10 mm |

Signaling

Motion detector

| | |
|-------------------|---------------------|
| Detection range | max. 5 m |
| Detection angle | 100 ° |
| Lighting duration | 5 min (Retriggered) |

Light properties

| | |
|----------------------|-----|
| Source of light type | LED |
|----------------------|-----|

PLD E 409 W 350 MS - LED enclosure light



1319573

<https://www.phoenixcontact.com/us/products/1319573>

| | |
|-------------------------|--|
| Number of LEDs | 18 |
| Color temperature | 5000 K |
| Color rendering index | 85 |
| Luminous flux | 700 lm (Net luminous flux) |
| Illumination | max. 1200 lx (50 cm distance) max. 450 lx (Distance of 1 m) |
| Ordinance | Delegated Regulation (EU) 2019/2015 |
| Energy efficiency class | D (1 light source) |
| Note | This product contains an energy efficiency class D light source. |

Dimensions

| | |
|---------------------|--------|
| Dimensional drawing | |
| Width | 39 mm |
| Height | 45 mm |
| Length | 390 mm |

Material specifications

| | |
|-----------------|-------------------------|
| Color (Housing) | light gray (RAL 7035) |
| Material | Polycarbonate (Housing) |

Environmental and real-life conditions

Ambient conditions

| | |
|--|---|
| Ambient temperature (operation) | -25 °C ... 60 °C (Standard applications and applications with UL approval) -25 °C ... 70 °C (at 24 V DC) |
| Degree of protection | IP20 |
| Ambient temperature (storage/transport) | -40 °C ... 85 °C |
| Permissible humidity (operation) | 5 % ... 90 % |
| Permissible humidity (storage/transport) | 5 % ... 90 % |

Mechanical test

| | |
|--|-----|
| Vibration resistance in accordance with EN 60068-2-6/IEC 60068-2-6 | 5g |
| Shock in accordance with EN 60068-2-27/IEC 60068-2-27 | 25g |
| Continuous shock in accordance with EN 60068-2-27/IEC 60068-2-27 | 10g |

Energy labeling

| | |
|--------------|---|
| Ordinance | Delegated Regulation (EU) 2019/2015 |
| Note (EPREL) | The EPREL entry can be searched for with the registration number (https://eprel.ec.europa.eu/screen/home) The EPREL entry can be searched for with the model ID |

PLD E 409 W 350 MS - LED enclosure light



1319573

<https://www.phoenixcontact.com/us/products/1319573>

(<https://eprel.ec.europa.eu/screen/product/lightsources>)

Energy labeling (Light source 1)

| | |
|-------------------------|---------------|
| Registration number | 1321542 |
| Model ID | 79 LEX PMBPIL |
| Energy efficiency class | D |
| Number of light sources | 1 |

Standards and regulations

| | |
|------------------|----|
| Protection class | II |
|------------------|----|

Mounting

| | |
|-------------------|-----------------|
| Mounting type | Screw mounting |
| | Magnet mounting |
| Mounting position | any |

PLD E 409 W 350 MS - LED enclosure light

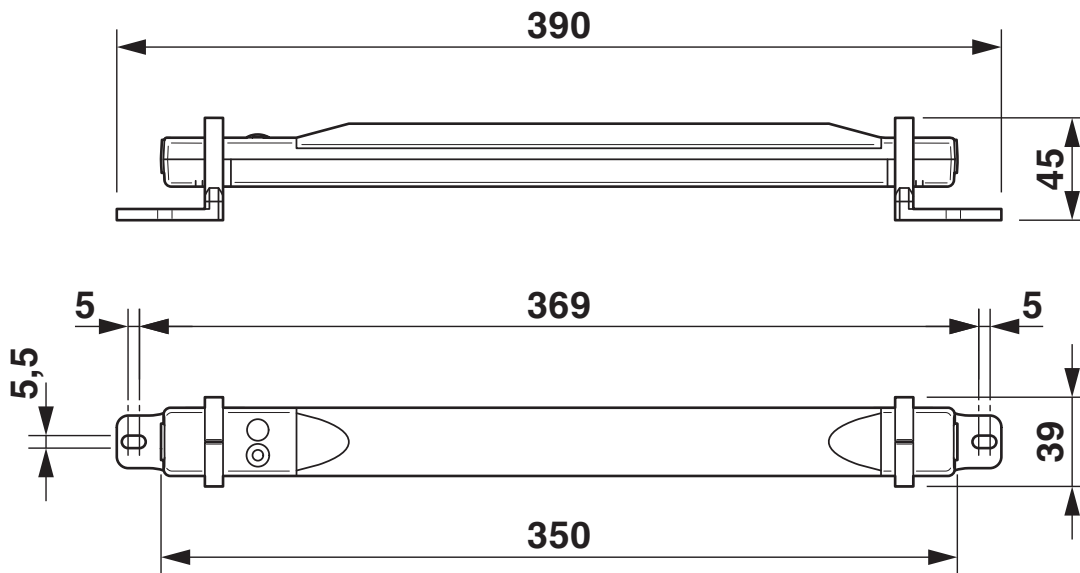


1319573

<https://www.phoenixcontact.com/us/products/1319573>

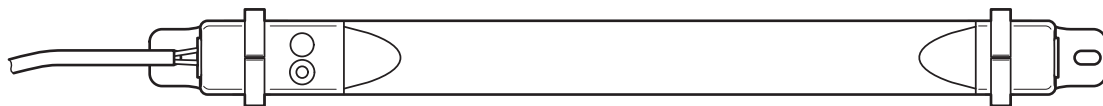
Drawings

Dimensional drawing



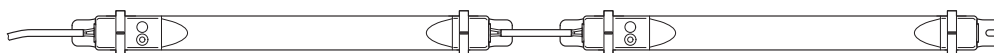
Dimensions (in mm)

Schematic diagram



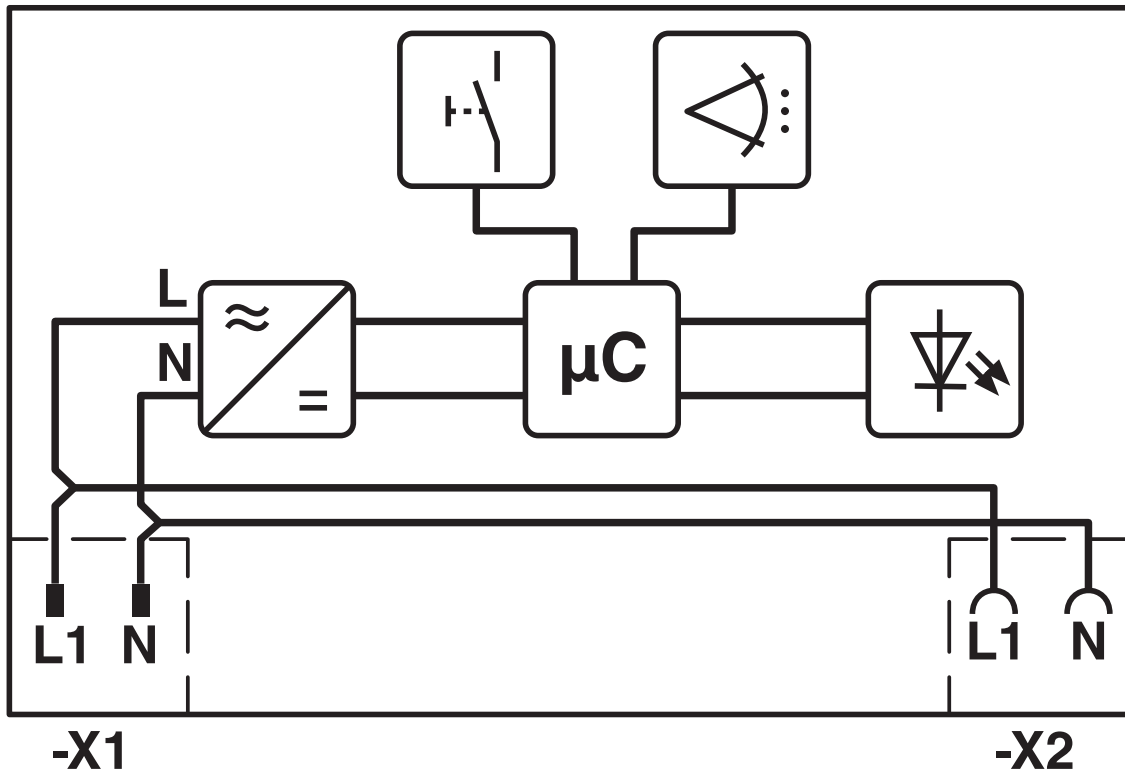
Connection of a light

Schematic diagram



Series connection of two lights

Block diagram



Internal wiring

PLD E 409 W 350 MS - LED enclosure light



1319573

<https://www.phoenixcontact.com/us/products/1319573>

Approvals

To download certificates, visit the product detail page: <https://www.phoenixcontact.com/us/products/1319573>



cULus Recognized

Approval ID: E255026



cULus Recognized

Approval ID: E255026

PLD E 409 W 350 MS - LED enclosure light



1319573

<https://www.phoenixcontact.com/us/products/1319573>

Classifications

ECLASS

| | |
|-------------|----------|
| ECLASS-13.0 | 27182808 |
| ECLASS-15.0 | 27182808 |

ETIM

| | |
|-----------|----------|
| ETIM 10.0 | EC000321 |
|-----------|----------|

UNSPSC

| | |
|-------------|----------|
| UNSPSC 21.0 | 32151500 |
|-------------|----------|

PLD E 409 W 350 MS - LED enclosure light



1319573

<https://www.phoenixcontact.com/us/products/1319573>

Environmental product compliance

EU RoHS

| | |
|---|--------------------|
| Fulfills EU RoHS substance requirements | Yes, No exemptions |
|---|--------------------|

China RoHS

| | |
|--|--|
| Environment friendly use period (EFUP) | EFUP-E |
| | No hazardous substances above the limits |

EU REACH SVHC

| | |
|-------------------------------------|----------------------------|
| REACH candidate substance (CAS No.) | No substance above 0.1 wt% |
|-------------------------------------|----------------------------|

EF3.1 Climate Change

| | |
|---------|---------------|
| CO2e kg | 9.977 kg CO2e |
|---------|---------------|

Phoenix Contact 2026 © - all rights reserved
<https://www.phoenixcontact.com>

Phoenix Contact USA
586 Fulling Mill Road
Middletown, PA 17057, United States
(+717) 944-1300
info@phoenixcon.com