

# PLD E 706 W 395 F - LED enclosure light



1319564

<https://www.phoenixcontact.com/us/products/1319564>

Please be informed that the data shown in this PDF document is generated from our online catalog. Please find the complete data in the user documentation. Our general terms of use for downloads are valid.



LED enclosure light, 230 V AC, length: 395 mm, degree of protection: IP20, with motion detector, Socket type F (Schuko - with ground contact), including mounting accessories

## Product description

The LED light is designed to illuminate the interior of control cabinets. The integrated optics ensure optimum illumination of the control cabinet. You can connect several lights in succession. An integrated motion detector switches the light on and off.

## Your advantages

- Integrated motion detector saves on MRP and installation costs for door position switches
- Socket enables the operation of external devices even when power is disconnected to the control cabinet
- Series connection reduces cabling effort for control cabinets arranged in series
- Optimum lighting of the control cabinet, thanks to integrated optics
- LED service life of 50,000 h (L70 value) prevents bulb replacement

## Commercial data

Item number	1319564
Packing unit	1 pc
Minimum order quantity	1 pc
Sales key	DR08
Product key	DRL235
GTIN	4063151605018
Weight per piece (including packing)	1,163.3 g
Weight per piece (excluding packing)	860 g
Customs tariff number	94054239
Country of origin	DE

# PLD E 706 W 395 F - LED enclosure light



1319564

<https://www.phoenixcontact.com/us/products/1319564>

## Technical data

### Notes

#### Note on application

Note on application	Only for industrial use
---------------------	-------------------------

### Product properties

Product type	Enclosure light
Application	Control cabinet
Mounting position	any
For country-specific use in	Germany
	Finland
	Greece
	Luxembourg
	Netherlands
	Norway
	Austria
	Portugal
	Russia
	Sweden
	Spain
	Turkey
Special properties	with motion detector
	Socket type F (Schuko - with ground contact)
	including mounting accessories
Socket type	Type F

### Electrical properties

#### Supply: Module electronics

Connection method	Installation coupler
Number of positions	3
Supply voltage	230 V AC (50/60 Hz)
Current consumption	max. 16 A
Power consumption	13 W

### Signaling

#### Motion detector

Detection range	max. 5 m
Detection angle	100 °
Lighting duration	5 min (Retriggered)

#### Light properties

# PLD E 706 W 395 F - LED enclosure light

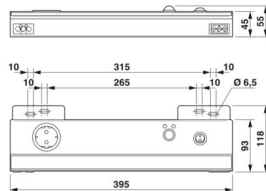


1319564

<https://www.phoenixcontact.com/us/products/1319564>

Source of light type	LED
Number of LEDs	36
Color temperature	5700 K
Color rendering index	85
Luminous flux	1200 lm (Net luminous flux)
Illumination	max. 3300 lx (50 cm distance)
	max. 1040 lx (Distance of 1 m)
Ordinance	Delegated Regulation (EU) 2019/2015
Energy efficiency class	E (1 light source)
Note	This product contains an energy efficiency class E light source.

## Dimensions

Dimensional drawing	
Width	118 mm
Height	55 mm
Length	395 mm

## Material specifications

Material	Aluminum (Housing)
----------	--------------------

## Environmental and real-life conditions

### Ambient conditions

Ambient temperature (operation)	-25 °C ... 60 °C
Degree of protection	IP20
Ambient temperature (storage/transport)	-40 °C ... 85 °C
Permissible humidity (operation)	5 % ... 90 %
Permissible humidity (storage/transport)	5 % ... 90 %

## Standards and regulations

Protection class	I
------------------	---

## Mounting

Mounting type	Screw mounting
	Snap-on assembly
Mounting position	any

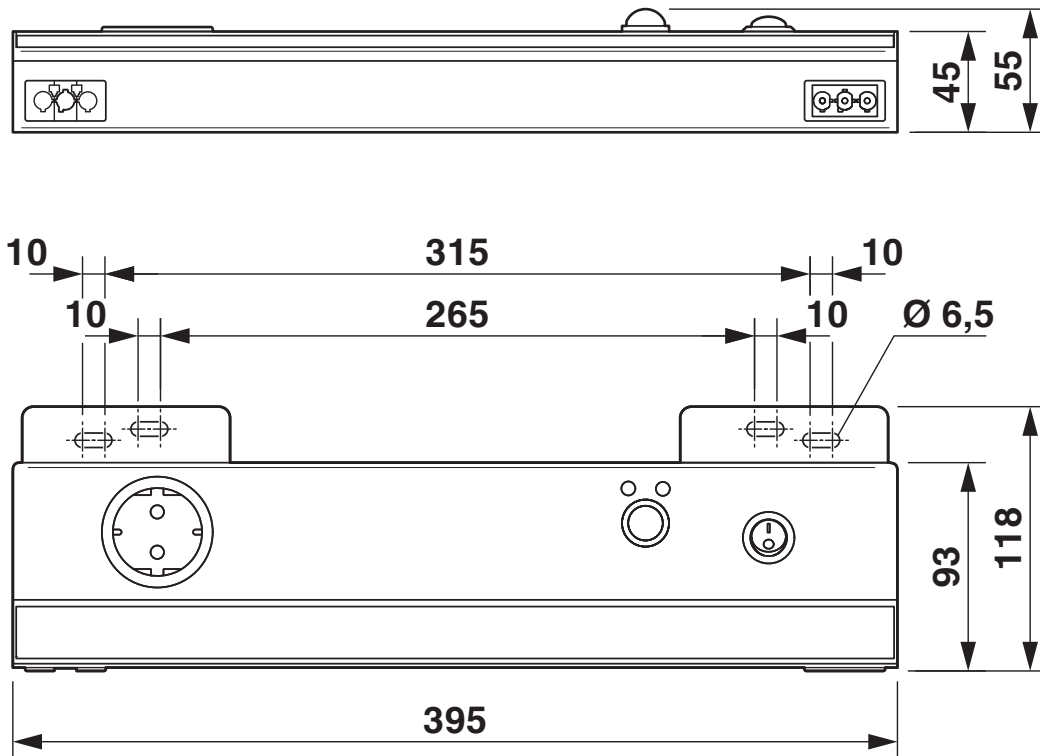
# PLD E 706 W 395 F - LED enclosure light

1319564

<https://www.phoenixcontact.com/us/products/1319564>

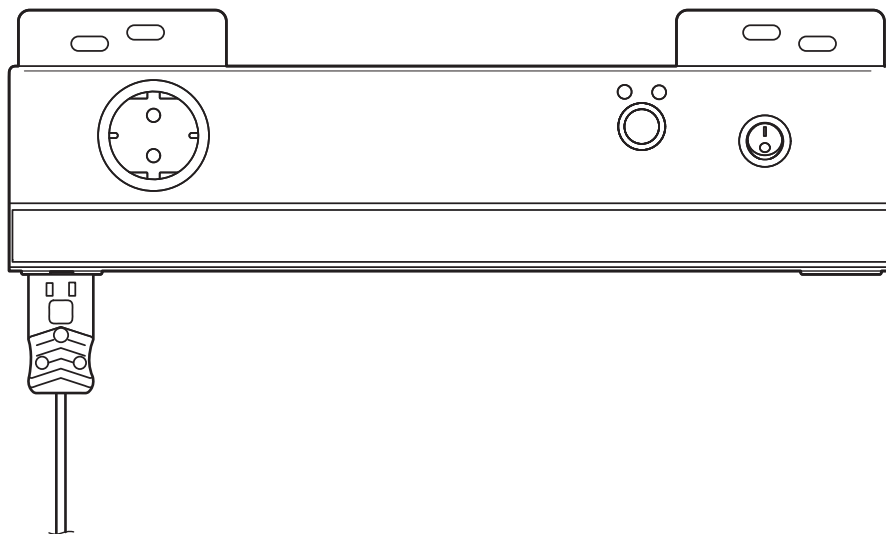
## Drawings

Dimensional drawing



Dimensional drawing

Schematic diagram



Connection of a light

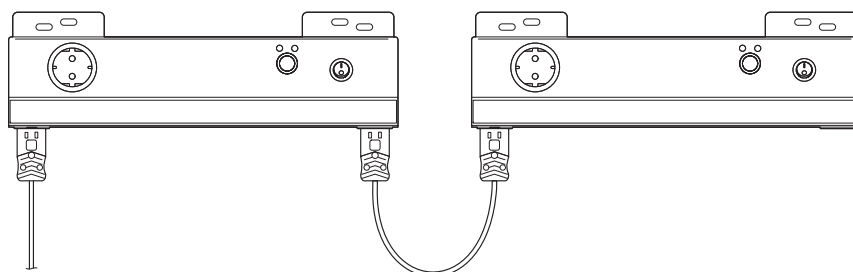
# PLD E 706 W 395 F - LED enclosure light



1319564

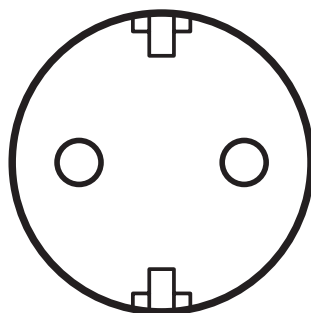
<https://www.phoenixcontact.com/us/products/1319564>

Schematic diagram



Series connection of two lights

Schematic diagram



Type F socket

# PLD E 706 W 395 F - LED enclosure light



1319564

<https://www.phoenixcontact.com/us/products/1319564>

## Classifications

### ECLASS

ECLASS-13.0	27182808
ECLASS-15.0	27182808

### ETIM

ETIM 9.0	EC000321
----------	----------

### UNSPSC

UNSPSC 21.0	32151500
-------------	----------

# PLD E 706 W 395 F - LED enclosure light



1319564

<https://www.phoenixcontact.com/us/products/1319564>

## Environmental product compliance

### EU RoHS

Fulfills EU RoHS substance requirements	Yes, No exemptions
---	--------------------

### China RoHS

Environment friendly use period (EFUP)	EFUP-E
	No hazardous substances above the limits

### EU REACH SVHC

REACH candidate substance (CAS No.)	No substance above 0.1 wt%
-------------------------------------	----------------------------

Phoenix Contact 2026 © - all rights reserved  
<https://www.phoenixcontact.com>

Phoenix Contact USA  
586 Fulling Mill Road  
Middletown, PA 17057, United States  
(+717) 944-1300  
[info@phoenixcon.com](mailto:info@phoenixcon.com)