

SAC-2P-M12MS/0,5-PUR/ZC-1L-S - Sensor/actuator cable



1319285

<https://www.phoenixcontact.com/us/products/1319285>

Please be informed that the data shown in this PDF document is generated from our online catalog. Please find the complete data in the user documentation. Our general terms of use for downloads are valid.



Sensor/actuator cable, 2-position, PUR, gray RAL 7001, Plug straight M12, coding: A, with 1 LED, on Valve connector Festo ZC, with 1 LED, Wiring: Protective circuit and holding current reduction, cable length: 0.5 m

The figure shows the SPEEDCON version

Commercial data

Item number	1319285
Packing unit	1 pc
Minimum order quantity	50 pc
Note	Made to order (non-returnable)
Product key	AF1DWA
GTIN	4063151604363
Weight per piece (including packing)	17.35 g
Weight per piece (excluding packing)	17.35 g
Country of origin	PL

SAC-2P-M12MS/0,5-PUR/ZC-1L-S - Sensor/actuator cable



1319285

<https://www.phoenixcontact.com/us/products/1319285>

Technical data

Product properties

Product type	Sensor/actuator cable with valve connector
Number of positions	2
No. of cable outlets	1
Shielded	no
Coding	A

Insulation characteristics

Overvoltage category	II
Degree of pollution	3

Material specifications

Flammability rating according to UL 94	HB
Seal material	NBR
Material housing valve plug	TPE-U
Contact material	CuSn
Contact surface material	Ni/Au
Contact carrier material	TPU GF
Contact material	CuSn

Electrical properties

Insulation resistance	≥ 100 MΩ
Nominal voltage U _N	48 V AC
	60 V DC

Mechanical properties

Mechanical data

Insertion/withdrawal cycles	≥ 100
-----------------------------	-------

Signaling

Status display	1 LED
Status display present	yes

Connector

Connection 1

Type	Plug straight M12
Number of positions	2
Coding type	A
Material	CuSn (Contact)
	Ni/Au (Contact surface)
	TPU GF (Contact carrier)

SAC-2P-M12MS/0,5-PUR/ZC-1L-S - Sensor/actuator cable

1319285

<https://www.phoenixcontact.com/us/products/1319285>

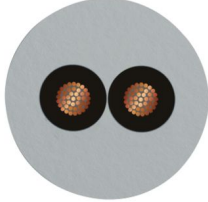
Connection 2

Type	Valve connector Festo ZC
Number of positions	2
Material	CuSn (Contact)
	PA (Housing)
Protective circuit	Protective circuit and holding current reduction

Cable/line

Cable length	0.5 m
--------------	-------

PUR gray [PUR]

Dimensional drawing	
Number of positions	2
Shielded	no
Cable type	PUR gray [PUR]
AWG signal line	24
Conductor cross-section	2x 0.25 mm ² (Signal line)
External cable diameter	3.40 mm
Outer sheath, material	PUR
External sheath, color	gray RAL 7001
Conductor material	Bare Cu litz wires
Single wire, color	black, black
Ambient temperature (operation)	-10 °C ... 50 °C (cable, fixed installation)
	-10 °C ... 50 °C (Cable, flexible installation)

Environmental and real-life conditions

Ambient conditions

Degree of protection	IP65 (M12 connector)
	IP67 (M12 connector)
	IP65 (Valve connector)
Ambient temperature (operation)	-10 °C ... 50 °C (Valve connector)
	-30 °C ... 80 °C (cable, fixed installation)
	-5 °C ... 70 °C (Cable, flexible installation)

SAC-2P-M12MS/0,5-PUR/ZC-1L-S - Sensor/actuator cable

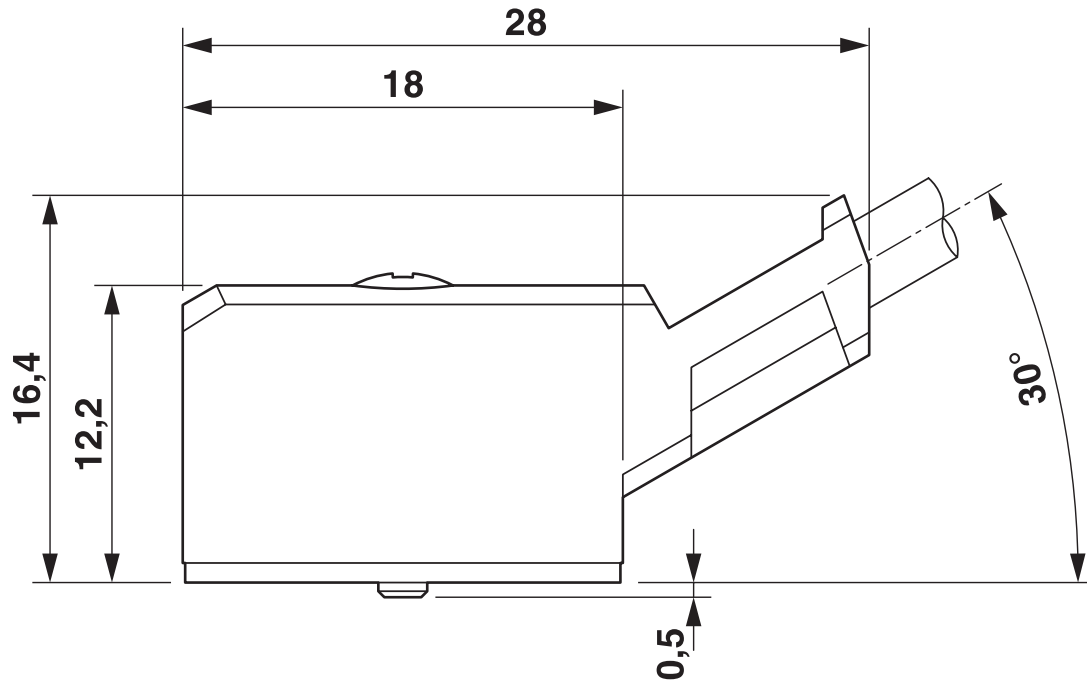


1319285

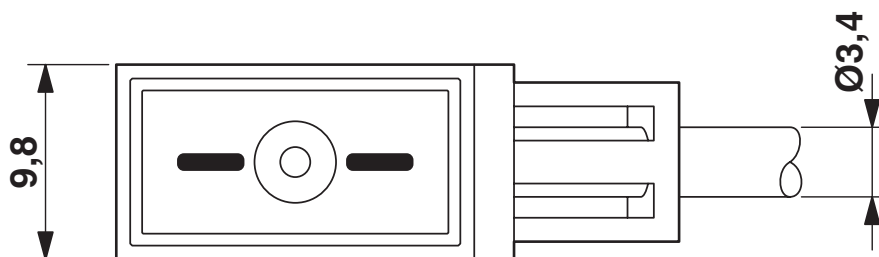
<https://www.phoenixcontact.com/us/products/1319285>

Drawings

Dimensional drawing



Dimensional drawing

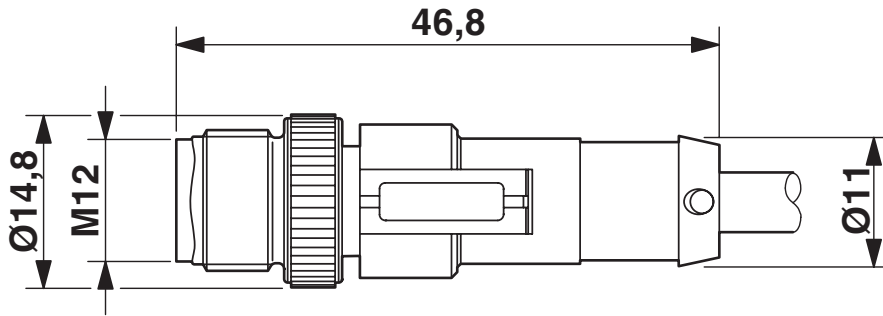


SAC-2P-M12MS/0,5-PUR/ZC-1L-S - Sensor/actuator cable

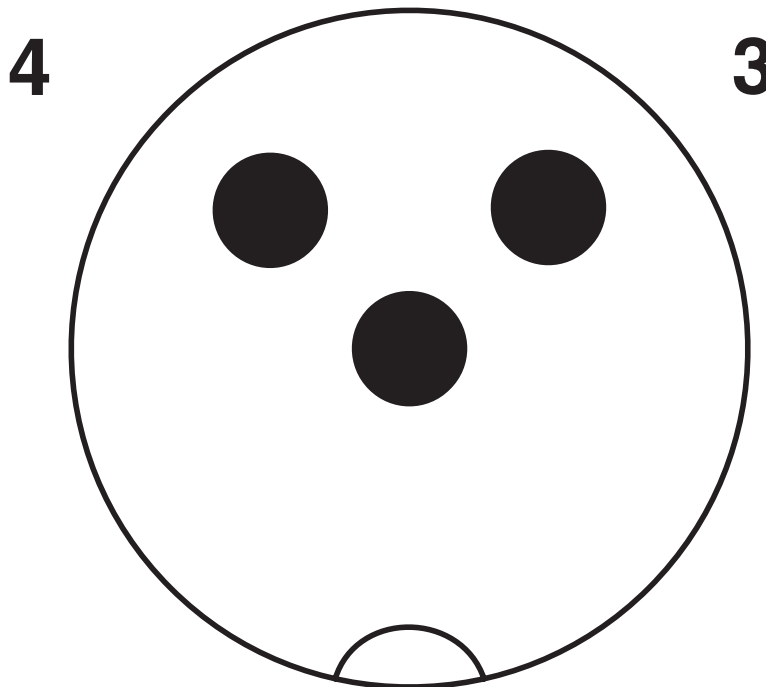
1319285

<https://www.phoenixcontact.com/us/products/1319285>

Dimensional drawing



Schematic diagram



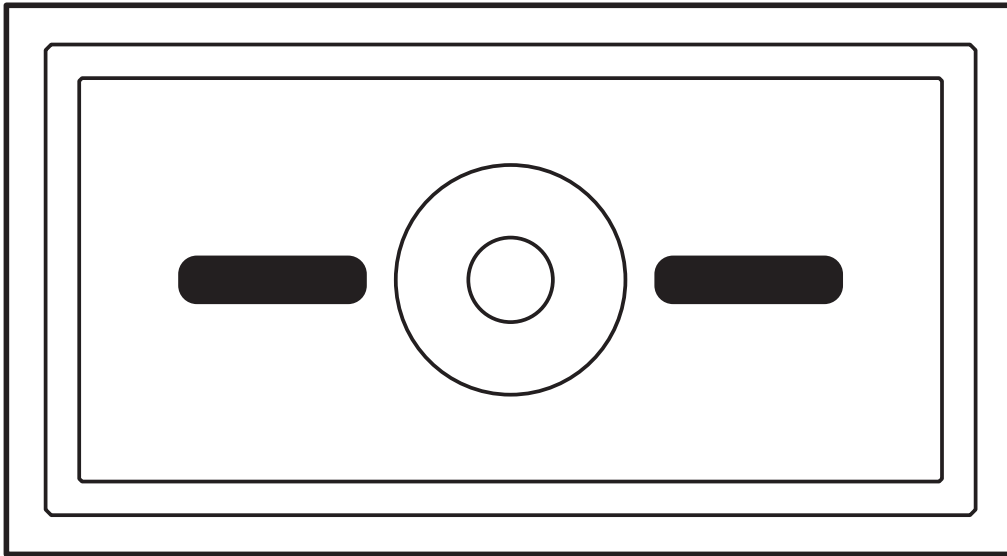
SAC-2P-M12MS/0,5-PUR/ZC-1L-S - Sensor/actuator cable



1319285

<https://www.phoenixcontact.com/us/products/1319285>

Schematic diagram



SAC-2P-M12MS/0,5-PUR/ZC-1L-S - Sensor/actuator cable



1319285

<https://www.phoenixcontact.com/us/products/1319285>

Classifications

ECLASS

ECLASS-13.0	27060311
ECLASS-15.0	27060312

ETIM

ETIM 9.0	EC001855
----------	----------

UNSPSC

UNSPSC 21.0	26121600
-------------	----------

SAC-2P-M12MS/0,5-PUR/ZC-1L-S - Sensor/actuator cable



1319285

<https://www.phoenixcontact.com/us/products/1319285>

Environmental product compliance

EU RoHS

Fulfills EU RoHS substance requirements	Yes, No exemptions
---	--------------------

China RoHS

Environment friendly use period (EFUP)	EFUP-E
	No hazardous substances above the limits

EU REACH SVHC

REACH candidate substance (CAS No.)	No substance above 0.1 wt%
-------------------------------------	----------------------------

Phoenix Contact 2026 © - all rights reserved
<https://www.phoenixcontact.com>

Phoenix Contact USA
586 Fulling Mill Road
Middletown, PA 17057, United States
(+717) 944-1300
info@phoenixcon.com