

# PRC 20/3-C2-FT25-FS2,5 - Device connector front mounting

1313304

<https://www.phoenixcontact.com/us/products/1313304>

Please be informed that the data shown in this PDF document is generated from our online catalog. Please find the complete data in the user documentation. Our general terms of use for downloads are valid.



Device connector front mounting, Range of articles: PRC 20, color: black, number of positions: 3, min. conductor cross-section: 0.5 mm<sup>2</sup>, max. conductor cross-section: 2.5 mm<sup>2</sup>, rated voltage: 400 V, rated current: 20 A, Connection method: Screw connection, Setting option for release: 1. with a tool or 2. by hand, scope: DC grid

## Your advantages

- More space on the device front with current transmission up to 20 A in a minimum amount of space
- Duo-Unlock technology for greater flexibility during installation and maintenance
- Reliable use under extreme ambient conditions with high degrees of protection and impact resistance
- Simple handling with proven crimp or screw connection technology
- Mechanical and color coding for quick and error-free startup

## Commercial data

Item number	1313304
Packing unit	1 pc
Minimum order quantity	1 pc
Sales key	AB03
Product key	ABLHAD
GTIN	4063151569068
Weight per piece (including packing)	38.4 g
Weight per piece (excluding packing)	26.163 g
Customs tariff number	85366990
Country of origin	PL

# PRC 20/3-C2-FT25-FS2,5 - Device connector front mounting



1313304

<https://www.phoenixcontact.com/us/products/1313304>

## Technical data

### Notes

Order information:	Setting option for release: 1. with a tool or 2. by hand
Note on application	For assembly notes, please refer to the packing slip

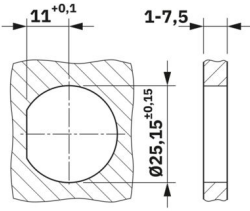
### Product properties

Product type	Panel feed-through
Product family	PRC 20
Area of application	DC grid
Number of positions	3
Connection profile	2+PE
Coding	3-C2

### Insulation characteristics

Protection class	II
------------------	----

### Dimensions

Dimensional drawing	
Width	34 mm
Height	38.4 mm
Length	52 mm

### Electrical properties

Rated voltage	400 V (III/2.00) in accordance with IEC 61984
	400 V AC (III/2.00) in accordance with IEC 61535
	600 V AC / DC (III/2.00) in accordance with UL 2238 / UL 2237
	500 V DC (III/2.00) in accordance with IEC 61535
Rated current	20 A (With 2.5 mm <sup>2</sup> conductor cross-section in accordance with IEC 61535)

### Material specifications

Color (Housing)	black (RAL 9005)
Material Housing	PPE
Material Contact carrier	PPE
Material Contact	CuZn (Contact material, Pb < 0.1)
Flammability rating according to UL 94	V0

# PRC 20/3-C2-FT25-FS2,5 - Device connector front mounting



1313304

<https://www.phoenixcontact.com/us/products/1313304>

## Cable/line

Single wire, cross section	0.5 mm <sup>2</sup> 2.5 mm <sup>2</sup>
Stripping length of the individual wire	10 mm (Lay PE conductor 8 mm leading)
Halogen-free	yes

## Environmental and real-life conditions

### Ambient conditions

Degree of protection	IP66
	IP68 (2 m / 2 h)
	IP69
Category of shock impact	IK08 (-25°C)
Ambient temperature (operation)	-40 °C ... 85 °C (observe derating)
Ambient temperature (storage/transport)	-40 °C ... 70 °C
Ambient temperature (assembly)	-5 °C ... 85 °C

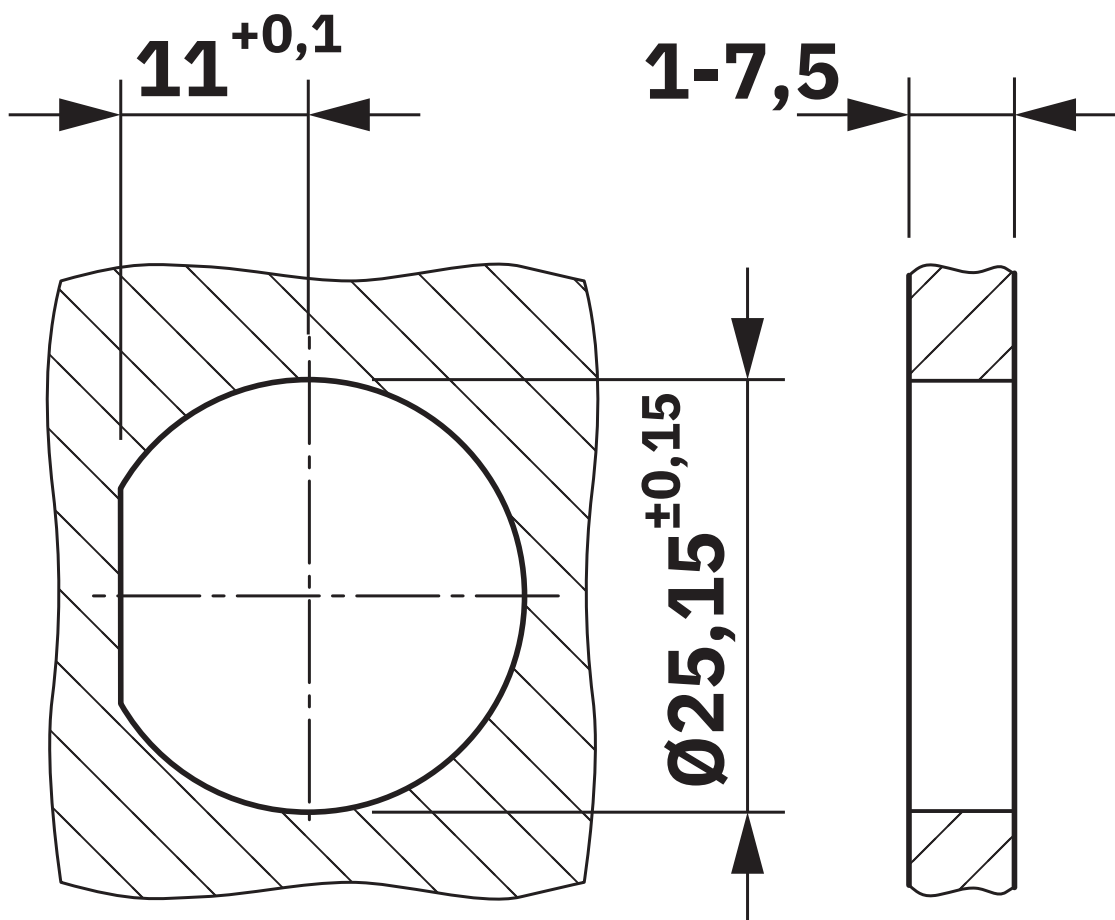
# PRC 20/3-C2-FT25-FS2,5 - Device connector front mounting

1313304

<https://www.phoenixcontact.com/us/products/1313304>

## Drawings

Dimensional drawing



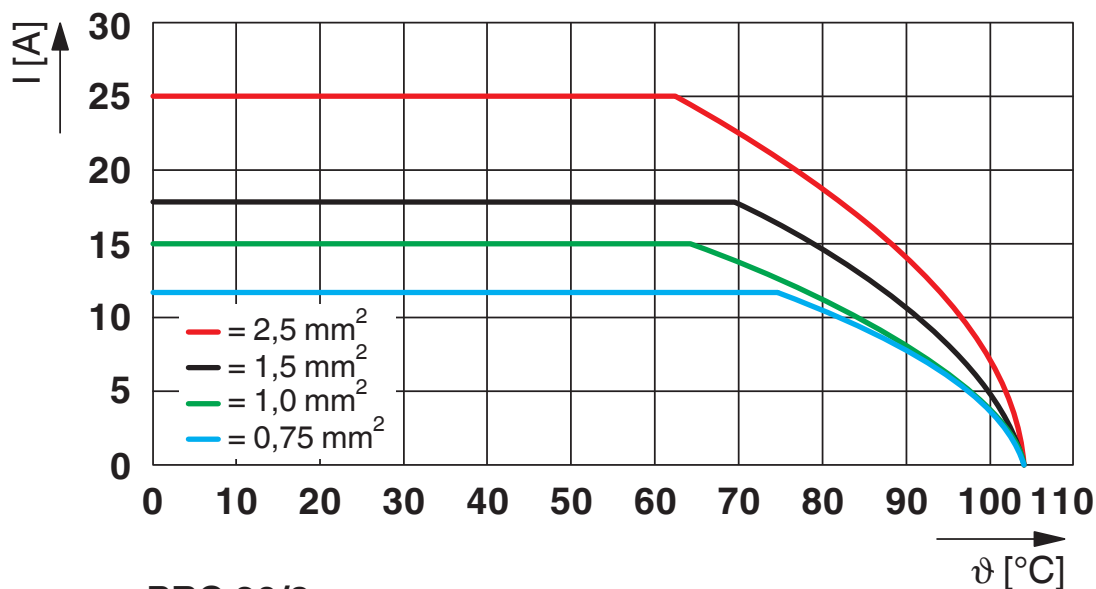
# PRC 20/3-C2-FT25-FS2,5 - Device connector front mounting



1313304

<https://www.phoenixcontact.com/us/products/1313304>

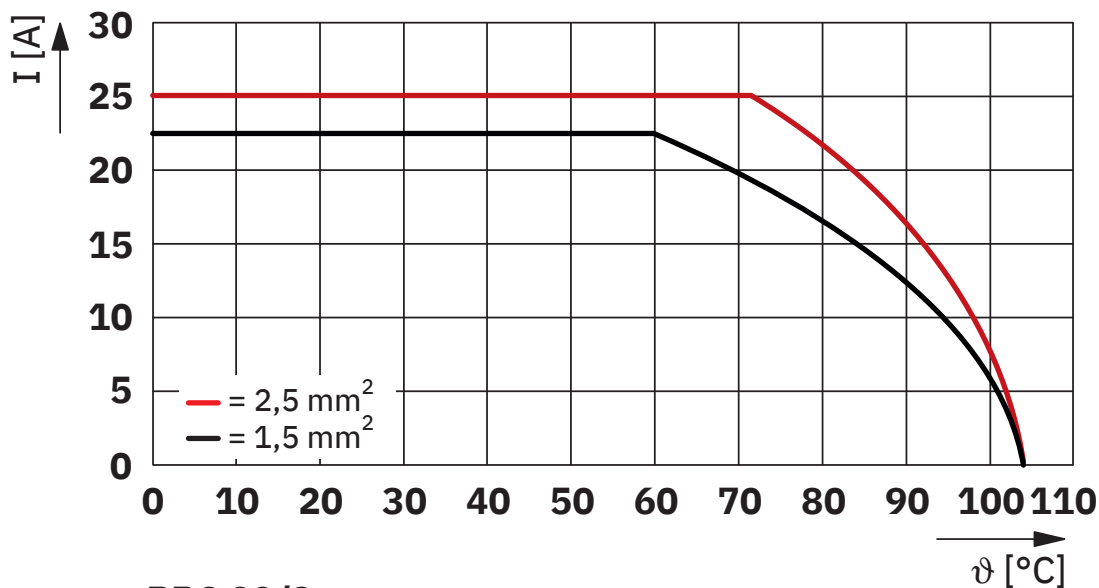
Diagram



**PRC 20/3...**  
**IEC 60512-5-2 / 2 conductors**

Derating

Diagram



**PRC 20/3...**  
**IEC 61535 / 2 conductors**

Derating

# PRC 20/3-C2-FT25-FS2,5 - Device connector front mounting



1313304

<https://www.phoenixcontact.com/us/products/1313304>

## Classifications

### ECLASS

ECLASS-13.0	27440602
ECLASS-15.0	27440602

### ETIM

ETIM 10.0	EC002566
-----------	----------

### UNSPSC

UNSPSC 21.0	39121400
-------------	----------

# PRC 20/3-C2-FT25-FS2,5 - Device connector front mounting



1313304

<https://www.phoenixcontact.com/us/products/1313304>

## Environmental product compliance

### EU RoHS

Fulfills EU RoHS substance requirements	Yes, No exemptions
---	--------------------

### China RoHS

Environment friendly use period (EFUP)	EFUP-E
	No hazardous substances above the limits

### EU REACH SVHC

REACH candidate substance (CAS No.)	Triphenyl phosphate(CAS: 115-86-6)
SCIP	a29fa7d1-e4bf-48dc-9e84-adecef02b4813

### EF3.1 Climate Change

CO2e kg	0.644 kg CO2e
---------	---------------

Phoenix Contact 2026 © - all rights reserved  
<https://www.phoenixcontact.com>

Phoenix Contact USA  
586 Fulling Mill Road  
Middletown, PA 17057, United States  
(+717) 944-1300  
[info@phoenixcon.com](mailto:info@phoenixcon.com)