

# PRC 20/3-C2-FT25-MS2,5 - Device connector front mounting



1313302

<https://www.phoenixcontact.com/us/products/1313302>

Please be informed that the data shown in this PDF document is generated from our online catalog. Please find the complete data in the user documentation. Our general terms of use for downloads are valid.



Device connector front mounting, Range of articles: PRC 20, color: black, number of positions: 3, min. conductor cross-section: 0.5 mm<sup>2</sup>, max. conductor cross-section: 2.5 mm<sup>2</sup>, rated voltage: 400 V, rated current: 20 A, Connection method: Screw connection, Setting option for release: 1. with a tool or 2. by hand, scope: DC grid

## Your advantages

- More space on the device front with current transmission up to 20 A in a minimum amount of space
- Duo-Unlock technology for greater flexibility during installation and maintenance
- Reliable use under extreme ambient conditions with high degrees of protection and impact resistance
- Simple handling with proven crimp or screw connection technology
- Mechanical and color coding for quick and error-free startup

## Commercial data

|                                      |               |
|--------------------------------------|---------------|
| Item number                          | 1313302       |
| Packing unit                         | 1 pc          |
| Minimum order quantity               | 1 pc          |
| Sales key                            | AB03          |
| Product key                          | ABLHAD        |
| GTIN                                 | 4063151569136 |
| Weight per piece (including packing) | 40.5 g        |
| Weight per piece (excluding packing) | 28.431 g      |
| Customs tariff number                | 85366990      |
| Country of origin                    | PL            |

# PRC 20/3-C2-FT25-MS2,5 - Device connector front mounting



1313302

<https://www.phoenixcontact.com/us/products/1313302>

## Technical data

### Notes

|                     |  |
|---------------------|--|
| Order information:  | Setting option for release: 1. with a tool or 2. by hand |
| Note on application | For assembly notes, please refer to the packing slip     |

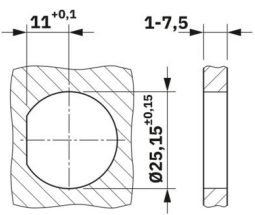
### Product properties

|                     |                    |
|---------------------|--------------------|
| Product type        | Panel feed-through |
| Product family      | PRC 20             |
| Area of application | DC grid            |
| Number of positions | 3                  |
| Connection profile  | 2+PE               |
| Coding              | 3-C2               |

### Insulation characteristics

|                  |    |
|------------------|----|
| Protection class | II |
|------------------|----|

### Dimensions

|                     |  |
|---------------------|--|
| Dimensional drawing |  |
| Width               | 34 mm  |
| Height              | 38.4 mm  |
| Length              | 53.7 mm  |

### Electrical properties

|               |  |
|---------------|--|
| Rated voltage | 400 V (III/2.00) in accordance with IEC 61984  |
|               | 400 V AC (III/2.00) in accordance with IEC 61535                                     |
|               | 600 V AC / DC (III/2.00) in accordance with UL 2238 / UL 2237                        |
|               | 500 V DC (III/2.00) in accordance with IEC 61535                                     |
| Rated current | 20 A (With 2.5 mm <sup>2</sup> conductor cross-section in accordance with IEC 61535) |

### Material specifications

|  |                                   |
|--|-----------------------------------|
| Color (Housing)                        | black (RAL 9005)                  |
| Material Housing                       | PPE                               |
| Material Contact carrier               | PPE                               |
| Material Contact                       | CuZn (Contact material, Pb < 0.1) |
| Flammability rating according to UL 94 | V0                                |

# PRC 20/3-C2-FT25-MS2,5 - Device connector front mounting



1313302

<https://www.phoenixcontact.com/us/products/1313302>

## Cable/line

|   |   |
|---|---|
| Single wire, cross section              | 0.5 mm <sup>2</sup> 2.5 mm <sup>2</sup> |
| Stripping length of the individual wire | 10 mm (Lay PE conductor 8 mm leading)   |
| Halogen-free                            | yes                                     |

## Environmental and real-life conditions

### Ambient conditions

|   |                                     |
|---|-------------------------------------|
| Degree of protection                    | IP66                                |
|   | IP68 (2 m / 2 h)                    |
|   | IP69                                |
| Category of shock impact                | IK08 (-25°C)                        |
| Ambient temperature (operation)         | -40 °C ... 85 °C (observe derating) |
| Ambient temperature (storage/transport) | -40 °C ... 70 °C                    |
| Ambient temperature (assembly)          | -5 °C ... 85 °C                     |

# PRC 20/3-C2-FT25-MS2,5 - Device connector front mounting

1313302

<https://www.phoenixcontact.com/us/products/1313302>

## Drawings

Dimensional drawing

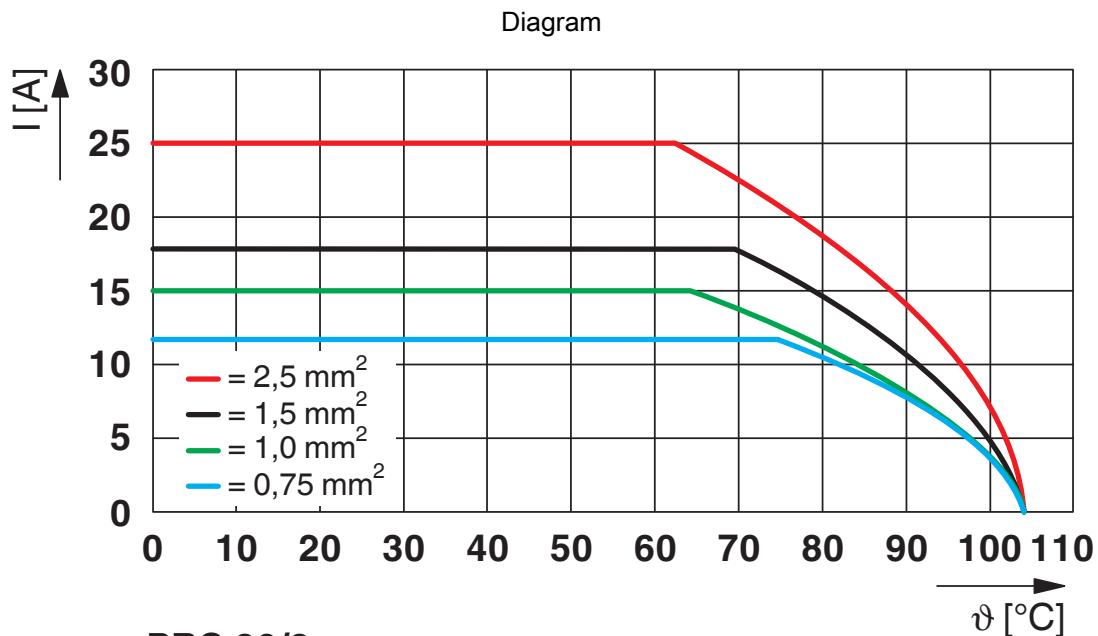


# PRC 20/3-C2-FT25-MS2,5 - Device connector front mounting



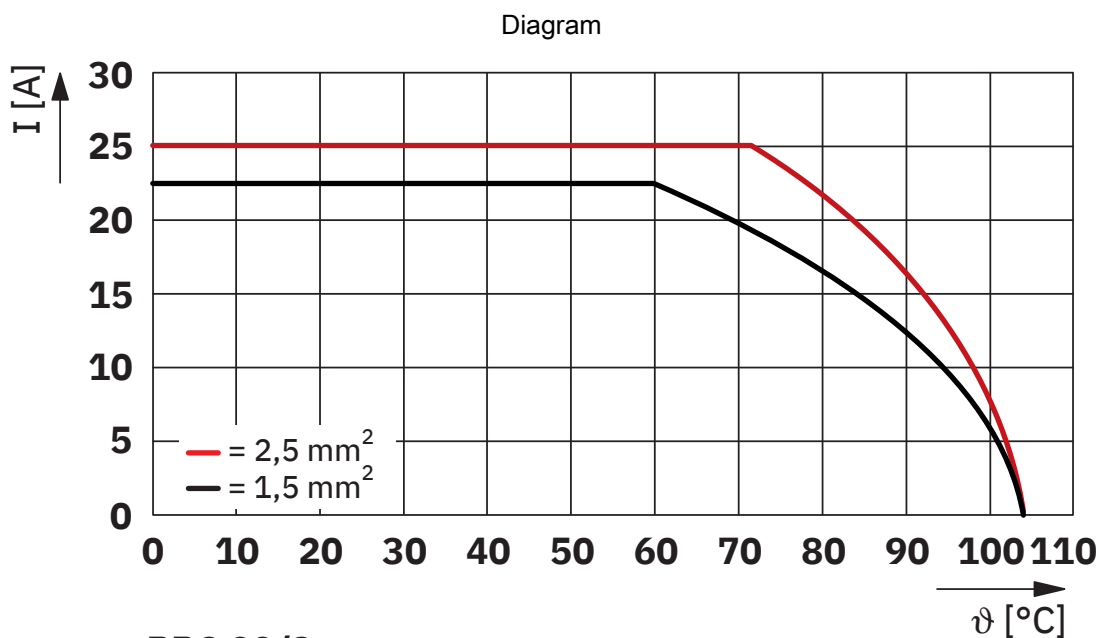
1313302

<https://www.phoenixcontact.com/us/products/1313302>



**PRC 20/3...**  
**IEC 60512-5-2 / 2 conductors**

Derating



**PRC 20/3...**  
**IEC 61535 / 2 conductors**

Derating

# PRC 20/3-C2-FT25-MS2,5 - Device connector front mounting



1313302


<https://www.phoenixcontact.com/us/products/1313302>

## Approvals

To download certificates, visit the product detail page: <https://www.phoenixcontact.com/us/products/1313302>

|  <b>UL Listed</b><br>Approval ID: E221474-20240312 |                       |                       |                   |                             |
|---|-----------------------|-----------------------|-------------------|-----------------------------|
|   | Nominal voltage $U_N$ | Nominal current $I_N$ | Cross section AWG | Cross section $\text{mm}^2$ |
| keine   |                       |                       |                   |                             |
|   | 600 V                 | 20 A                  | 20 - 14           | 20 - 14                     |

|  <b>cUL Listed</b><br>Approval ID: E221474-20240312 |                       |                       |                   |                             |
|--|-----------------------|-----------------------|-------------------|-----------------------------|
|  | Nominal voltage $U_N$ | Nominal current $I_N$ | Cross section AWG | Cross section $\text{mm}^2$ |
| keine  |                       |                       |                   |                             |
|  | 600 V                 | 20 A                  | 20 - 14           | -                           |

|  <b>VDE Zeichengenehmigung</b><br>Approval ID: 334664-TL3-1 |                       |                       |                   |                             |
|--|-----------------------|-----------------------|-------------------|-----------------------------|
|  | Nominal voltage $U_N$ | Nominal current $I_N$ | Cross section AWG | Cross section $\text{mm}^2$ |
| keine  |                       |                       |                   |                             |
|  | 500 V                 | 20 A                  | -                 | 0.5 - 2.5                   |

# PRC 20/3-C2-FT25-MS2,5 - Device connector front mounting



1313302

<https://www.phoenixcontact.com/us/products/1313302>

## Classifications

### ECLASS

|             |          |
|-------------|----------|
| ECLASS-13.0 | 27440602 |
| ECLASS-15.0 | 27440602 |

### ETIM

|           |          |
|-----------|----------|
| ETIM 10.0 | EC002566 |
|-----------|----------|

### UNSPSC

|             |          |
|-------------|----------|
| UNSPSC 21.0 | 39121400 |
|-------------|----------|

# PRC 20/3-C2-FT25-MS2,5 - Device connector front mounting



1313302

<https://www.phoenixcontact.com/us/products/1313302>

## Environmental product compliance

### EU RoHS

|   |                    |
|---|--------------------|
| Fulfills EU RoHS substance requirements | Yes, No exemptions |
|---|--------------------|

### China RoHS

|  |  |
|--|--|
| Environment friendly use period (EFUP) | EFUP-E                                   |
|  | No hazardous substances above the limits |

### EU REACH SVHC

|                                     |                                    |
|-------------------------------------|------------------------------------|
| REACH candidate substance (CAS No.) | Triphenyl phosphate(CAS: 115-86-6) |
|-------------------------------------|------------------------------------|

### EF3.1 Climate Change

|         |               |
|---------|---------------|
| CO2e kg | 0.606 kg CO2e |
|---------|---------------|

Phoenix Contact 2026 © - all rights reserved  
<https://www.phoenixcontact.com>

Phoenix Contact USA  
586 Fulling Mill Road  
Middletown, PA 17057, United States  
(+717) 944-1300  
[info@phoenixcon.com](mailto:info@phoenixcon.com)