

# EV-T1G2CC-DC200A-7,0M1ASBK11 - DC charging cable



1311324

<https://www.phoenixcontact.com/us/products/1311324>

Please be informed that the data shown in this PDF document is generated from our online catalog. Please find the complete data in the user documentation. Our general terms of use for downloads are valid.



CHARX connect standard, CCS type 1, DC charging cable, up to 500 A in Boost mode, 200 A permanent, 1000 V DC, with vehicle charging connector and open cable end, cable: 7 m, black, straight, with charging connector holder, with analog temperature sensors, no liquid cooling, PHOENIX CONTACT logo, SAE J1772, IEC 62196-3, for charging electric vehicles (EV) with direct current (DC)

## Product description

DC charging cable with vehicle charging connector and free cable end for fast charging of electric vehicles (EV) with direct current (DC) via CCS type 1 vehicle charging inlets, for installation at charging stations for e-mobility (EVSE)

## Your advantages

- Complete product range
- The right charging cable for every application, from the carport to the charging park
- Convenient handling due to the ergonomic design
- Available with your logo on request - for consistent branding of your charging station
- Developed and produced in accordance with the IATF 16949 automotive standard and ISO 9001

## Commercial data

|                                      |               |
|--------------------------------------|---------------|
| Item number                          | 1311324       |
| Packing unit                         | 1 pc          |
| Minimum order quantity               | 1 pc          |
| Sales key                            | EM01          |
| Product key                          | XWBMGE        |
| GTIN                                 | 4063151562229 |
| Weight per piece (including packing) | 15,400 g      |
| Weight per piece (excluding packing) | 15,400 g      |
| Customs tariff number                | 85444290      |
| Country of origin                    | PL            |

# EV-T1G2CC-DC200A-7,0M1ASBK11 - DC charging cable



1311324

<https://www.phoenixcontact.com/us/products/1311324>

## Technical data

### Product properties

|                   |  |
|-------------------|--|
| Product type      | DC charging cable  |
| Product family    | CHARX connect standard   |
| Type              | DC charging cable<br>with vehicle charging connector and open cable end                |
| Design            | with charging connector holder<br>with analog temperature sensors<br>no liquid cooling |
| Charging standard | CCS type 1   |
| Charging mode     | Mode 4<br>DC level 3   |
| Affixed logo      | PHOENIX CONTACT logo   |
| Label             | 8.9 mm x 28.9 mm (customer logo on request)  |

### Electrical properties

|                        |            |
|------------------------|------------|
| Temperature monitoring | 2x Pt 1000 |
|------------------------|------------|

#### Charging power and current (DC charging)

|                          |          |
|--------------------------|----------|
| Type of charging current | DC       |
| Charging current         | 200 A DC |
| Charging power           | 200 kW   |
| Rated voltage            | 1000 V   |

#### Charging power and current (DC charging in Boost Mode)

|                          |   |
|--------------------------|---|
| Type of charging current | DC Boost Mode   |
| Charging current         | up to 500 A DC  |
| Charging power           | up to 500 kW  |
| Rated voltage            | 1000 V  |
| Note                     | The specifications refer to charging in Boost Mode and are dependent on ambient conditions. For further details, see the packing slip in the download area. |

#### Pin assignment (Power contacts)

|                               |  |
|-------------------------------|--|
| Note on the connection method | Crimp connection, cannot be disconnected |
| Number                        | 3 (PE, DC+, DC-)                         |
| Rated voltage                 | 1000 V DC                                |
| Rated current                 | 200 A (up to 40 °C)                      |

#### Pin assignment (Signal contacts)

|                               |   |
|-------------------------------|---|
| Note on the connection method | Crimp connection, cannot be disconnected  |
| Type of signal transmission   | Pulse width modulation with modulated Powerline communication in accordance with ISO/IEC 15118 / DIN SPEC 70121 |
| Number                        | 2 (CP, CS)  |

# EV-T1G2CC-DC200A-7,0M1ASBK11 - DC charging cable



1311324

<https://www.phoenixcontact.com/us/products/1311324>

|               |                            |
|---------------|----------------------------|
| Rated voltage | 30 V AC                    |
| Rated current | 2 A                        |
| Coding        | 480 Ω (Lever actuated)     |
|               | 150 Ω (Lever not actuated) |

## Temperature sensors (Pt 1000)

|                              |  |
|------------------------------|--|
| Sensor type                  | Pt 1000  |
| Standards/regulations        | DIN EN 60751   |
| Attachment point             | Sensor for the DC contacts                             |
| Switch-off temperature       | 90 °C ±1 K (equivalent to a Pt 1000 value of 1346.5 Ω) |
| Long-term stability          | 0.06 % (after 1000 hours at 130 °C)                    |
| Recommended measured current | 1 mA (1 V at 0°C)                                      |
| Coefficient                  | 3850 ppm/K   |
| Ambient temperature          | -50 °C ... 130 °C (Operation)                          |

## Dimensions

### Vehicle charging connector

|        |          |
|--------|----------|
| Width  | 69.6 mm  |
| Height | 192.6 mm |
| Depth  | 284.6 mm |

## Material specifications

|  |  |
|--|--|
| Color (Housing)                        | black (9005)   |
| Color (Handle area)                    | black (9005)   |
| Color (Mating face)                    | black (9005)   |
| Color (Protective cap)                 | black (9005)   |
| Color (Cable)                          | black (9005)   |
| Material (Vehicle charging connector)  | Plastic  |
| Material (Cable outer sheath)          | TPE  |
| Material (Contact surface)             | Silver   |
| Note                                   | The color appearance and gloss level of the charging cable may vary. |
| Flammability rating according to UL 94 | V0 (Mating face)   |

## Cable/line

|                                |  |
|--------------------------------|--|
| Cable length                   | 7 m ±45 mm                             |
| Wiring standards/regulations   | UL 2263                                |
| Cable weight                   | max. 1900.00 kg/km                     |
| Cable type                     | straight                               |
| Cable structure                | 2 x 1 AWG + 1 x 3 AWG + 3 x 2 x 18 AWG |
| External cable diameter        | 35.30 mm ±0.5 mm                       |
| Outer sheath, material         | TPE                                    |
| Stripping length of the sheath | 180 mm ±10 mm                          |
| Stripping length               | 180 mm ±10 mm                          |

# EV-T1G2CC-DC200A-7,0M1ASBK11 - DC charging cable



1311324

<https://www.phoenixcontact.com/us/products/1311324>

|                  |   |
|------------------|---|
| Cable resistance | $\leq 0.00044 \Omega/\text{m}$ (based on a power core, at an ambient temperature of 20°C) |
| Bending radius   | min. 353 mm (10x Ø)   |

## Mechanical properties

### Mechanical data

|                             |         |
|-----------------------------|---------|
| Insertion/withdrawal cycles | > 10000 |
| Insertion force             | < 75 N  |
| Withdrawal force            | < 75 N  |

## Environmental and real-life conditions

### Ambient conditions

|   |  |
|---|--|
| Degree of protection (Vehicle charging connector) | IP54 / Type 3R (The degree of protection is only ensured in the ready and plugged-in state when both plug-in components are original products from Phoenix Contact or suitable standard-compliant products.) |
| Ambient temperature (operation)                   | -30 °C ... 40 °C<br>max. 55 °C (Current reduction required, observe the DC contact temperature limit value of 90°C)  |
| Ambient temperature (storage/transport)           | -40 °C ... 80 °C   |
| Altitude  | 5000 m (above sea level)   |

## Standards and regulations

### Standards

|                       |                          |
|-----------------------|--------------------------|
| Standards/regulations | SAE J1772<br>IEC 62196-3 |
|-----------------------|--------------------------|

# EV-T1G2CC-DC200A-7,0M1ASBK11 - DC charging cable



1311324

<https://www.phoenixcontact.com/us/products/1311324>

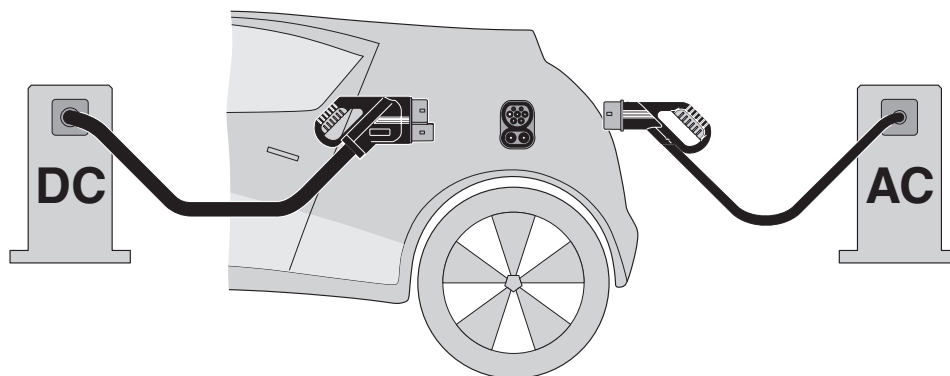
## Drawings

Dimensional drawing



Make sure that the vehicle charging connector is placed in an appropriate charging connector holder, which ensures a minimum protection rating of IP24 in accordance with IEC 61851-1, for the entire time between charging. To create this charging connector holder, use the dimensions of the vehicle charging connector. Detailed dimensions can also be found in the Download area.

Schematic diagram



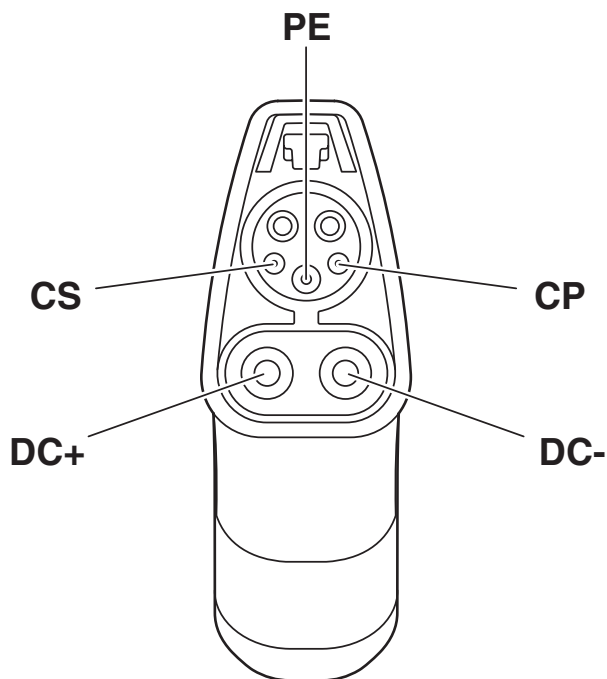
The Combined Charging System (CCS) principle - standard-compliant charging system for electric vehicles, which supports both conventional AC charging and fast DC charging. Both Vehicle Connectors fit into the CCS Vehicle Inlet.

# EV-T1G2CC-DC200A-7,0M1ASBK11 - DC charging cable

1311324

<https://www.phoenixcontact.com/us/products/1311324>

Schematic diagram



Pin assignment of the Vehicle Connector

# EV-T1G2CC-DC200A-7,0M1ASBK11 - DC charging cable

1311324

<https://www.phoenixcontact.com/us/products/1311324>

## Schematic diagram



Operating instructions



# EV-T1G2CC-DC200A-7,0M1ASBK11 - DC charging cable

1311324

<https://www.phoenixcontact.com/us/products/1311324>

Schematic diagram



The resting position must be installed in the charging station such that the user cannot hang up the vehicle connector upside down (90° to 270°). However, positions rotated upward (45°) or downward (315°) are options for a resting position.

# EV-T1G2CC-DC200A-7,0M1ASBK11 - DC charging cable




1311324

<https://www.phoenixcontact.com/us/products/1311324>

## Approvals

To download certificates, visit the product detail page: <https://www.phoenixcontact.com/us/products/1311324>

|  <b>cULus Recognized</b><br>Approval ID: E473195-20220131 |  | Nominal voltage $U_N$ | Nominal current $I_N$ | Cross section AWG | Cross section $\text{mm}^2$ |
|--|--|-----------------------|-----------------------|-------------------|-----------------------------|
| keine  |  |                       |                       |                   |                             |
|  |  | 1000 V                | 200 A                 | -                 | -                           |

# EV-T1G2CC-DC200A-7,0M1ASBK11 - DC charging cable



1311324

<https://www.phoenixcontact.com/us/products/1311324>

## Classifications

### ECLASS

|             |          |
|-------------|----------|
| ECLASS-13.0 | 27144705 |
| ECLASS-15.0 | 27144705 |

### ETIM

|           |          |
|-----------|----------|
| ETIM 10.0 | EC002897 |
|-----------|----------|

### UNSPSC

|             |          |
|-------------|----------|
| UNSPSC 21.0 | 39121500 |
|-------------|----------|

# EV-T1G2CC-DC200A-7,0M1ASBK11 - DC charging cable



1311324

<https://www.phoenixcontact.com/us/products/1311324>

## Environmental product compliance

### EU RoHS

|   |                    |
|---|--------------------|
| Fulfills EU RoHS substance requirements | Yes, No exemptions |
|---|--------------------|

### China RoHS

|  |  |
|--|--|
| Environment friendly use period (EFUP) | EFUP-E                                   |
|  | No hazardous substances above the limits |

### EU REACH SVHC

|                                     |                            |
|-------------------------------------|----------------------------|
| REACH candidate substance (CAS No.) | No substance above 0.1 wt% |
|-------------------------------------|----------------------------|

### EF3.1 Climate Change

|         |               |
|---------|---------------|
| CO2e kg | 104.3 kg CO2e |
|---------|---------------|

Phoenix Contact 2026 © - all rights reserved  
<https://www.phoenixcontact.com>

Phoenix Contact USA  
586 Fulling Mill Road  
Middletown, PA 17057, United States  
(+717) 944-1300  
[info@phoenixcon.com](mailto:info@phoenixcon.com)