

EH 45-KIT-FB+CDS/ABS-PC-7035 + 2MKDS38 - Housing set

1311035

<https://www.phoenixcontact.com/us/products/1311035>

Please be informed that the data shown in this PDF document is generated from our online catalog. Please find the complete data in the user documentation. Our general terms of use for downloads are valid.



DIN rail housing, for mounting on a DIN rail, color: light gray (similar RAL 7035), width: 45.1 mm, height: 77 mm, depth: 50.2 mm, incl. 2 PCB terminal blocks, 8-pos., screw connection, for 2.5 mm², nominal current: 24 A, 400 V, PCB surface: 1700 mm²

Commercial data

Item number	1311035
Packing unit	1 pc
Minimum order quantity	1 pc
Product key	ACHCHK
GTIN	4063151585242
Weight per piece (including packing)	76 g
Weight per piece (excluding packing)	59,712 g
Country of origin	DE

EH 45-KIT-FB+CDS/ABS-PC-7035 + 2MKDS38 - Housing set



1311035

<https://www.phoenixcontact.com/us/products/1311035>

Technical data

Notes

Assembly note	Please observe the assembly instructions available in the download area.
General	The PCB surface specification is for orientation purposes and is based on a basic PCB. The housing can also accommodate several PCBs.

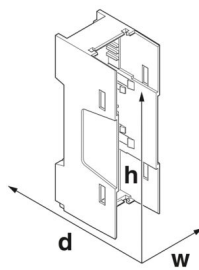
Product properties

Product type	Stackable housing set
Housing type	DIN rail housing
Housing series	EH
Number of positions	16
Max. number of positions	16 (pitch: 3.08 mm)
Number of rows	1
Ventilation openings present	yes
Anzahl der Etagen Housing (Makro)	1 (Both sides)

Connection data

Connection method	Screw connection with tension sleeve
-------------------	--------------------------------------

Dimensions

Dimensional drawing	
Width	45.1 mm
Height	77 mm
Depth	50.2 mm
Depth from top edge of DIN rail	45.9 mm

PCB design

PCB thickness	1.4 mm ... 1.8 mm
---------------	-------------------

Material specifications

Color (Upper housing part)	light gray (RAL 7035)
Color (Lower housing part)	light gray (RAL 7035)
Material	ABS-PC
Flammability rating according to UL 94	V0

EH 45-KIT-FB+CDS/ABS-PC-7035 + 2MKDS38 - Housing set



1311035

<https://www.phoenixcontact.com/us/products/1311035>

Environmental and real-life conditions

Ambient conditions

Max. IP code to attain	IP20
Ambient temperature (operation)	-40 °C ... 80 °C (depending on power dissipation)
Ambient temperature (storage/transport)	-40 °C ... 55 °C
Ambient temperature (assembly)	-5 °C ... 80 °C
Relative humidity (storage/transport)	95 %

PCB data

Number of PCB holders	1
Type of PCB mount	Latching
Total PCB surface	1700 mm ²
Thickness of the PCB	1.4 mm ... 1.8 mm

Mounting

Mounting type	DIN rail mounting
---------------	-------------------

Packaging specifications

Type of packaging	packed in cardboard
Outer packaging type	Carton

EH 45-KIT-FB+CDS/ABS-PC-7035 + 2MKDS38 - Housing set

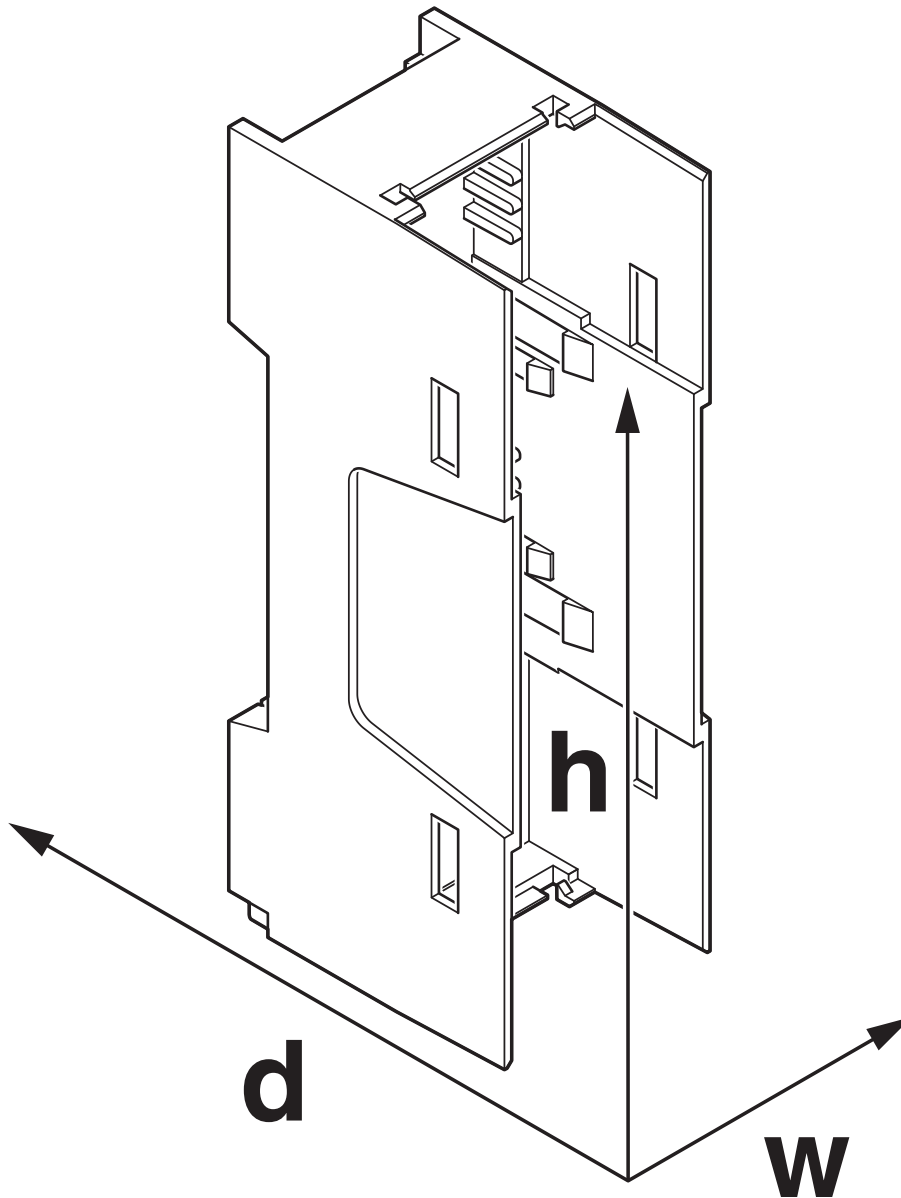


1311035

<https://www.phoenixcontact.com/us/products/1311035>

Drawings

Dimensional drawing



Schematic figure for illustrating the item dimensions. The figure is not of the desired product. For further details, refer to the product drawings in the "Downloads" tab.

EH 45-KIT-FB+CDS/ABS-PC-7035 + 2MKDS38 - Housing set



1311035

<https://www.phoenixcontact.com/us/products/1311035>

Classifications

ECLASS

ECLASS-13.0	27190301
ECLASS-15.0	27190301

ETIM

ETIM 9.0	EC001031
----------	----------

UNSPSC

UNSPSC 21.0	31261500
-------------	----------

EH 45-KIT-FB+CDS/ABS-PC-7035 + 2MKDS38 - Housing set



1311035

<https://www.phoenixcontact.com/us/products/1311035>

Environmental product compliance

EU RoHS

Fulfills EU RoHS substance requirements	Yes, No exemptions
---	--------------------

China RoHS

Environment friendly use period (EFUP)	EFUP-E
	No hazardous substances above the limits

EU REACH SVHC

REACH candidate substance (CAS No.)	No substance above 0.1 wt%
-------------------------------------	----------------------------

Phoenix Contact 2026 © - all rights reserved
<https://www.phoenixcontact.com>

Phoenix Contact USA
586 Fulling Mill Road
Middletown, PA 17057, United States
(+717) 944-1300
info@phoenixcon.com