

ECS-KIT-122X169-S-UV-9005 - Electronics housing



1311020

<https://www.phoenixcontact.com/us/products/1311020>

Please be informed that the data shown in this PDF document is generated from our online catalog. Please find the complete data in the user documentation. Our general terms of use for downloads are valid.



Empty enclosure for wall or mast mounting, black (9005), modular electronics housing with front plate, for outdoor applications, degree of protection: IP66/IP67/IP68/IP69, width: 164 mm, height: 180 mm, depth: 64 mm, PCB surface: 13160 mm²

Your advantages

- Housing design supports the installation of a range of PCB thicknesses for high application diversity
- Integrated pressure compensation membrane for fluctuating ambient pressures
- Optional accessories for wall and mast mounting
- Proven PCB connection technology
- Integrated tamper protection
- Effective protection of electronics against thermal and mechanical influences
- Suitable for outdoor/indoor applications

Commercial data

Item number	1311020
Packing unit	1 pc
Minimum order quantity	1 pc
Sales key	AC04
Product key	ACFDAK
GTIN	4063151585037
Weight per piece (including packing)	432 g
Weight per piece (excluding packing)	373.43 g
Customs tariff number	84879090
Country of origin	US

1311020

<https://www.phoenixcontact.com/us/products/1311020>

Technical data

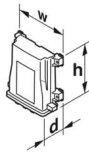
Notes

Assembly note	Please observe the assembly instructions available in the download area.
---------------	--

Product properties

Product type	Stackable housing set
Housing type	Field housing
Housing type	Outdoor housings
Housing series	ECS
Ventilation openings present	no
Battery compartment	no
Ventilation	integrated pressure compensation membrane

Dimensions

Dimensional drawing	
Width	163.8 mm
Height	179.8 mm
Depth	62.1 mm

PCB design

PCB thickness	1.57 mm ... 2.36 mm
---------------	---------------------

Material specifications

Color (Housing)	black (RAL 9005)
Material Housing	PC
Flammability rating according to UL 94	V0

Environmental and real-life conditions

Power dissipation single housing for 20 °C

Ambient temperature	20 °C
Reduction factor	1
Mounting position	vertical
Power dissipation	19 W

Ambient conditions

Max. NEMA code to attain	6
Impact strength	IK08
Ambient temperature (operation)	-40 °C ... 100 °C

ECS-KIT-122X169-S-UV-9005 - Electronics housing



1311020

<https://www.phoenixcontact.com/us/products/1311020>

Ambient temperature (storage/transport)	-40 °C ... 100 °C
---	-------------------

PCB data

Number of PCB holders	1
Type of PCB mount	Bolt mounting
Thickness of the PCB	1.57 mm ... 2.36 mm

Mounting

Mounting type	Wall or panel mount. Pole mount with accessory.
---------------	---

Packaging specifications

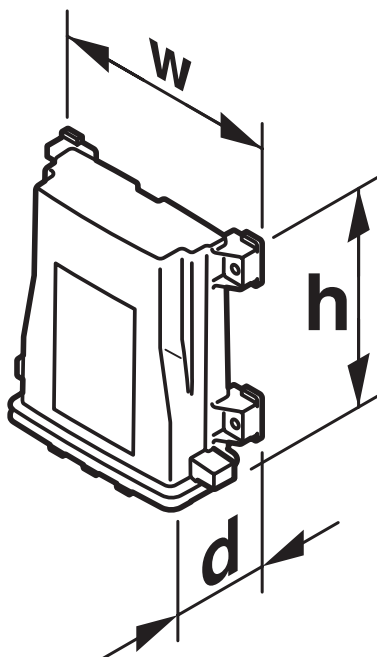
Type of packaging	packed in cardboard
Outer packaging type	Carton

1311020

<https://www.phoenixcontact.com/us/products/1311020>

Drawings

Dimensional drawing



Schematic figure for illustrating the item dimensions. The figure is not of the desired product. For further details, refer to the product drawings in the "Downloads" tab.

1311020

<https://www.phoenixcontact.com/us/products/1311020>

Classifications

ECLASS

ECLASS-13.0	27190103
ECLASS-15.0	27190103

ETIM

ETIM 10.0	EC001031
-----------	----------

UNSPSC

UNSPSC 21.0	31261500
-------------	----------

1311020

<https://www.phoenixcontact.com/us/products/1311020>

Environmental product compliance

EU RoHS

Fulfills EU RoHS substance requirements	Yes, No exemptions
---	--------------------

China RoHS

Environment friendly use period (EFUP)	EFUP-E
	No hazardous substances above the limits

EU REACH SVHC

REACH candidate substance (CAS No.)	No substance above 0.1 wt%
-------------------------------------	----------------------------

Phoenix Contact 2026 © - all rights reserved
<https://www.phoenixcontact.com>

Phoenix Contact USA
586 Fulling Mill Road
Middletown, PA 17057, United States
(+717) 944-1300
info@phoenixcon.com