

# MH-B16-17-MULTI-66-PA-LG - Cable feed-through plates



1299341

<https://www.phoenixcontact.com/us/products/1299341>

Please be informed that the data shown in this PDF document is generated from our online catalog. Please find the complete data in the user documentation. Our general terms of use for downloads are valid.

Cable feed-through plates, external cable diameter: 12x 3 mm ... 7 mm, 5x 7 mm ... 13 mm, material: TPE-SEBS (external material), color: light gray, length: 127 mm, width: 56 mm, height: 19 mm



## Your advantages

- The panel cutouts of the heavy-duty connectors, size B16, can be used.

## Commercial data

Item number	1299341
Packing unit	1 pc
Minimum order quantity	1 pc
Sales key	BF67
Product key	AF7CAX
GTIN	4063151541019
Weight per piece (including packing)	71.1 g
Weight per piece (excluding packing)	71.1 g
Customs tariff number	39269097
Country of origin	FI

# MH-B16-17-MULTI-66-PA-LG - Cable feed-through plates

1299341

<https://www.phoenixcontact.com/us/products/1299341>

## Technical data

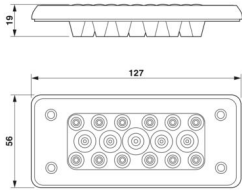
### Product properties

Product type	Frame for cable sleeves
--------------	-------------------------

### Connection data

Tightening torque	1.8 Nm
-------------------	--------

### Dimensions

Dimensional drawing	
Width	56 mm
Height	19 mm
Length	127 mm

### Material specifications

Color	light gray (RAL 7035)
Material	TPE-SEBS (external material)
Flammability rating according to UL 94	V0

### Cable/line

External cable diameter	12x 3 mm ... 7 mm
	5x 7 mm ... 13 mm

### Environmental and real-life conditions

#### Ambient conditions

Degree of protection	IP66
Ambient temperature (operation)	-40 °C ... 90 °C

### Mounting

Assembly note	M4 mounting screw, torque: 1.8 Nm, SW5 Allen key
	The mounting screws included should be used for assembly.  Assembly steps: 1) Fix Multigates with the mounting screws provided (observe torque) 2) Make a hole in the membrane (with a screwdriver) or cut off the tip of the cone 3) Guide the cable through the opening (from the outside). Withdraw the cable approximately 20 mm (to improve strain relief).

# MH-B16-17-MULTI-66-PA-LG - Cable feed-through plates

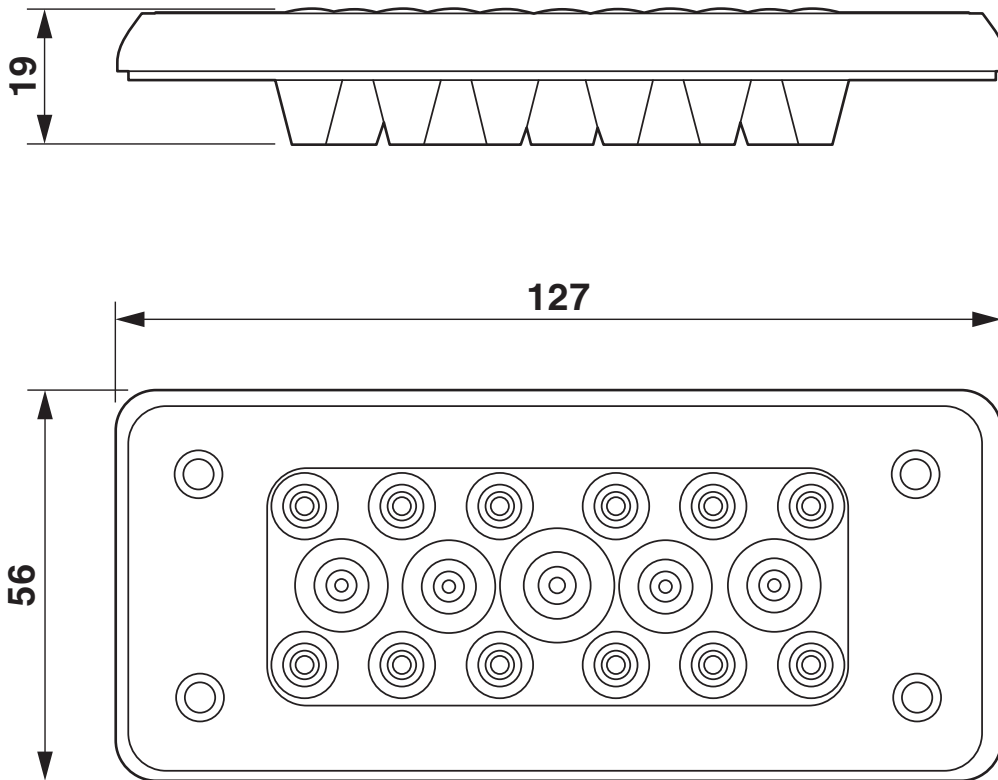


1299341

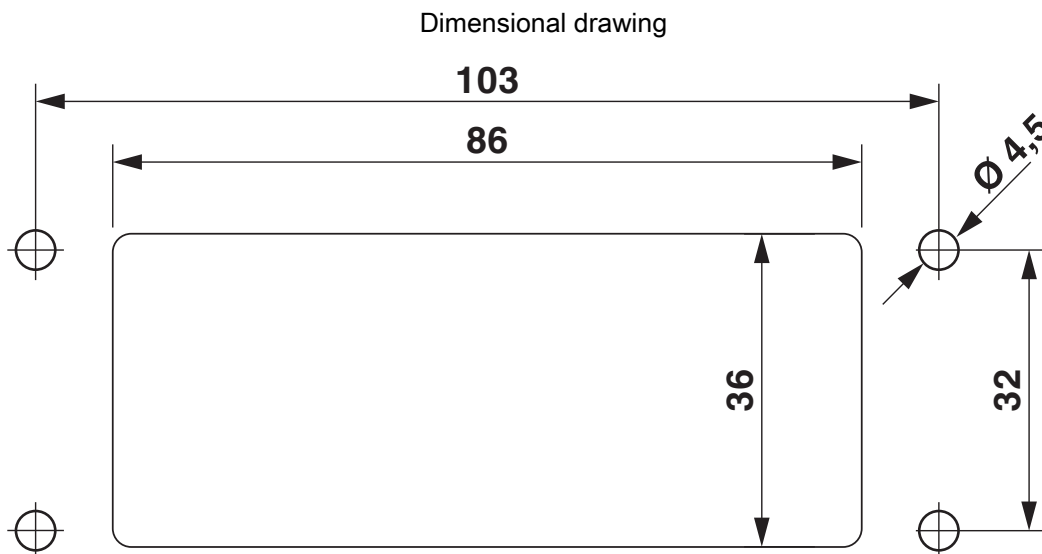
<https://www.phoenixcontact.com/us/products/1299341>

## Drawings

Dimensional drawing



Dimensional drawing



Wall cutout drawing

# MH-B16-17-MULTI-66-PA-LG - Cable feed-through plates



1299341

<https://www.phoenixcontact.com/us/products/1299341>

## Classifications

### ECLASS

ECLASS-15.0	27182815
ECLASS-13.0	27142421

### ETIM

ETIM 10.0	EC002624
-----------	----------

### UNSPSC

UNSPSC 21.0	31261500
-------------	----------

# MH-B16-17-MULTI-66-PA-LG - Cable feed-through plates



1299341

<https://www.phoenixcontact.com/us/products/1299341>

## Environmental product compliance

### EU RoHS

Fulfills EU RoHS substance requirements	Yes, No exemptions
---	--------------------

### China RoHS

Environment friendly use period (EFUP)	EFUP-E
	No hazardous substances above the limits

### EU REACH SVHC

REACH candidate substance (CAS No.)	No substance above 0.1 wt%
-------------------------------------	----------------------------

Phoenix Contact 2026 © - all rights reserved  
<https://www.phoenixcontact.com>

Phoenix Contact USA  
586 Fulling Mill Road  
Middletown, PA 17057, United States  
(+717) 944-1300  
[info@phoenixcon.com](mailto:info@phoenixcon.com)