

EV-T1CCS-M4X20-BIT-CTS - Repair kit



1295723

<https://www.phoenixcontact.com/us/products/1295723>

Please be informed that the data shown in this PDF document is generated from our online catalog. Please find the complete data in the user documentation. Our general terms of use for downloads are valid.



CHARX connect professional, CCS type 1, Repair kit, Accessories, Screw mounting, housing: black, with DC contact holder with integrated front part of the DC contacts, with special bit (867/4 IPR TORX PLUS® bit, 20 IPR x 89 mm) for insulated screwdriver, IEC 62196-3-1, SAE J1772, Replacement without draining the coolant

Your advantages

- Complete product range
- Developed and produced in accordance with the IATF 16949 automotive standard and ISO 9001
- Maintenance-friendly replacement of the mating face frame without draining the coolant

Commercial data

Item number	1295723
Packing unit	1 pc
Minimum order quantity	1 pc
Sales key	EM01
Product key	XWBLPY
GTIN	4063151531539
Weight per piece (including packing)	211.7 g
Weight per piece (excluding packing)	172 g
Customs tariff number	85389099
Country of origin	PL

EV-T1CCS-M4X20-BIT-CTS - Repair kit



1295723

<https://www.phoenixcontact.com/us/products/1295723>

Technical data

Product properties

Product type	Repair kit
Product family	CHARX connect professional
Type	Accessories
Design	with DC contact holder with integrated front part of the DC contacts with special bit (867/4 IPR TORX PLUS® bit, 20 IPR x 89 mm) for insulated screwdriver
Charging standard	CCS type 1
Charging mode	Mode 4

Material specifications

Color (Housing)	black (9005)
Material (Housing)	Plastic

Environmental and real-life conditions

Ambient conditions

Ambient temperature (operation)	-30 °C ... 50 °C
Ambient temperature (storage/transport)	-40 °C ... 80 °C

Standards and regulations

Standards

Standards/regulations	IEC 62196-3-1 SAE J1772
-----------------------	----------------------------

Mounting

Mounting type	Screw mounting
---------------	----------------

EV-T1CCS-M4X20-BIT-CTS - Repair kit

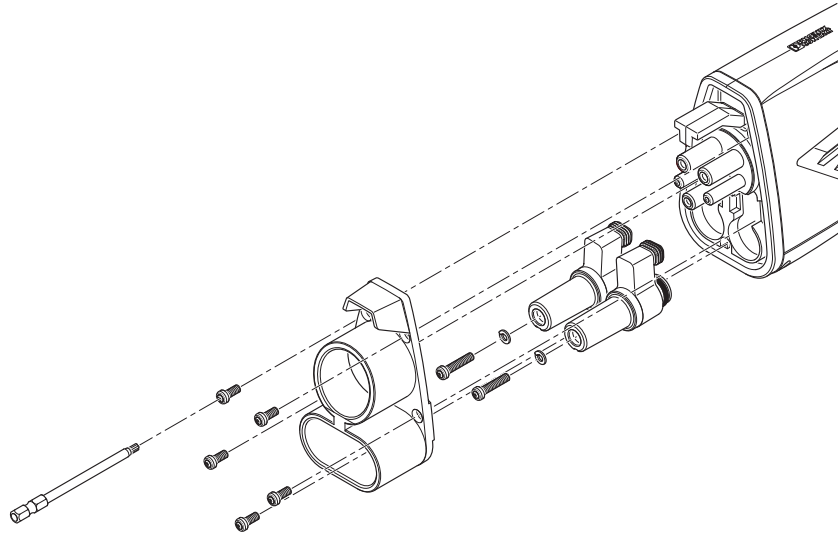


1295723

<https://www.phoenixcontact.com/us/products/1295723>

Drawings

Schematic diagram



Assembly drawing

EV-T1CCS-M4X20-BIT-CTS - Repair kit



1295723

<https://www.phoenixcontact.com/us/products/1295723>

Classifications

ECLASS

ECLASS-13.0	27144792
ECLASS-15.0	27144792

ETIM

ETIM 10.0	EC002884
-----------	----------

UNSPSC

UNSPSC 21.0	39121500
-------------	----------

EV-T1CCS-M4X20-BIT-CTS - Repair kit



1295723

<https://www.phoenixcontact.com/us/products/1295723>

Environmental product compliance

EU RoHS

Fulfills EU RoHS substance requirements	Yes, No exemptions
---	--------------------

China RoHS

Environment friendly use period (EFUP)	EFUP-E
	No hazardous substances above the limits

EU REACH SVHC

REACH candidate substance (CAS No.)	No substance above 0.1 wt%
-------------------------------------	----------------------------

Phoenix Contact 2026 © - all rights reserved
<https://www.phoenixcontact.com>

Phoenix Contact USA
586 Fulling Mill Road
Middletown, PA 17057, United States
(+717) 944-1300
info@phoenixcon.com