

# EV-T2CCS-M4X20-BIT-CTS - Repair kit



1295670

<https://www.phoenixcontact.com/us/products/1295670>

Please be informed that the data shown in this PDF document is generated from our online catalog. Please find the complete data in the user documentation. Our general terms of use for downloads are valid.



CHARX connect, CCS type 2, Repair kit, Accessories, housing: black, with DC contact holder with integrated front part of the DC contacts, with special bit (867/4 IPR TORX PLUS® bit, 20 IPR x 89 mm) for insulated screwdriver, IEC 62196-3-1, Replacement without draining the coolant

## Your advantages

- Complete product range
- Developed and produced in accordance with the IATF 16949 automotive standard and ISO 9001
- Maintenance-friendly replacement of the mating face frame without draining the coolant

## Commercial data

Item number	1295670
Packing unit	1 pc
Minimum order quantity	1 pc
Sales key	EM01
Product key	XWBLNY
GTIN	4063151532901
Weight per piece (including packing)	215.1 g
Weight per piece (excluding packing)	167 g
Customs tariff number	85389099
Country of origin	PL

# EV-T2CCS-M4X20-BIT-CTS - Repair kit



1295670

<https://www.phoenixcontact.com/us/products/1295670>

## Technical data

### Product properties

Product type	Repair kit
Product family	CHARX connect
Type	Accessories
Design	with DC contact holder with integrated front part of the DC contacts with special bit (867/4 IPR TORX PLUS® bit, 20 IPR x 89 mm) for insulated screwdriver
Charging standard	CCS type 2
Charging mode	Mode 4

### Material specifications

Color (Housing)	black (9005)
-----------------	--------------

### Environmental and real-life conditions

#### Ambient conditions

Ambient temperature (operation)	-30 °C ... 50 °C
Ambient temperature (storage/transport)	-40 °C ... 80 °C

### Standards and regulations

#### Standards

Standards/regulations	IEC 62196-3-1
-----------------------	---------------

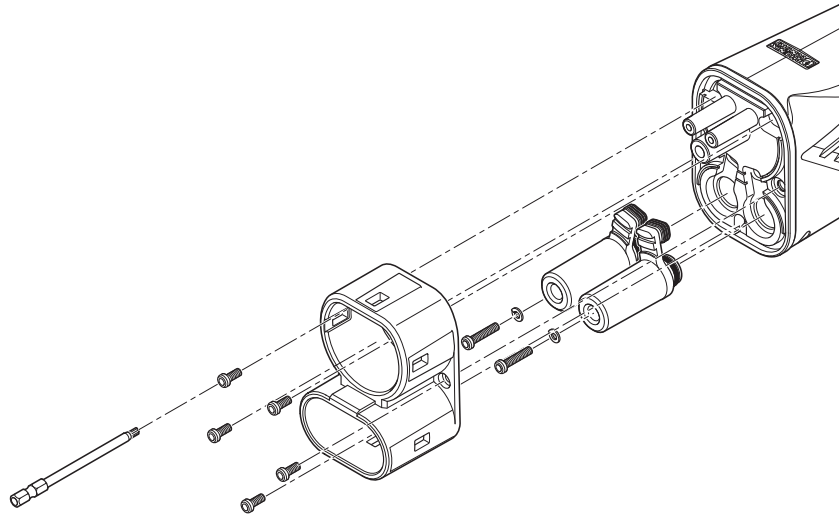
# EV-T2CCS-M4X20-BIT-CTS - Repair kit

1295670

<https://www.phoenixcontact.com/us/products/1295670>

## Drawings

Schematic diagram



Assembly drawing

# EV-T2CCS-M4X20-BIT-CTS - Repair kit



1295670

<https://www.phoenixcontact.com/us/products/1295670>

## Classifications

### ECLASS

ECLASS-13.0	27144792
ECLASS-15.0	27144792

### ETIM

ETIM 10.0	EC002884
-----------	----------

### UNSPSC

UNSPSC 21.0	39121500
-------------	----------

# EV-T2CCS-M4X20-BIT-CTS - Repair kit



1295670

<https://www.phoenixcontact.com/us/products/1295670>

## Environmental product compliance

### EU RoHS

Fulfills EU RoHS substance requirements	Not applicable, No electrical and electronic equipment (EEE), cannot be used in EEE
---	---

### EU REACH SVHC

REACH candidate substance (CAS No.)	No substance above 0.1 wt%
-------------------------------------	----------------------------

Phoenix Contact 2026 © - all rights reserved

<https://www.phoenixcontact.com>

Phoenix Contact USA  
586 Fulling Mill Road  
Middletown, PA 17057, United States  
(+717) 944-1300  
[info@phoenixcon.com](mailto:info@phoenixcon.com)