

# SACB-QO SET - Screw connection set



1293751

<https://www.phoenixcontact.com/us/products/1293751>

Please be informed that the data shown in this PDF document is generated from our online catalog. Please find the complete data in the user documentation. Our general terms of use for downloads are valid.

QUICKON set for replacement purposes, consisting of splice ring, pressure nut and line seal



## Your advantages

- Innovative and time-saving assembly with insulation displacement connection

## Commercial data

Item number	1293751
Packing unit	1 pc
Minimum order quantity	1 pc
Sales key	BF50
Product key	AF6UCX
GTIN	4063151529260
Weight per piece (including packing)	115.7 g
Weight per piece (excluding packing)	114.8 g
Customs tariff number	85366990
Country of origin	DE

# SACB-QO SET - Screw connection set



1293751

<https://www.phoenixcontact.com/us/products/1293751>

## Technical data

### Notes

Assembly note	<b>NOTE:</b> Observe the permissible bending radii when routing cables, since the degree of protection may be at risk if the bending forces are too high. Reduce mechanical loads upstream of the connector, e.g., by using cable ties.
Order information:	Package contents: 16 pieces
Note on application	Cables with 5 conductors may have a maximum connection cross-section of 0.5 mm <sup>2</sup> /20 AWG.

### Product properties

Product type	Installation pressure nut
Number of positions	5

### Signaling

Status display present	no
------------------------	----

### Dimensions

Dimensional drawing	
Width	20 mm
Height	20 mm
Length	31 mm
Wrench size, union nut	16 mm

### Material specifications

Material	PA 6.6
Flammability rating according to UL 94	V0
Seal material O-ring	FKM
Wire insulation material	PVC / PE / PP / rubber

### Environmental and real-life conditions

#### Ambient conditions

Degree of protection	IP65
Ambient temperature (operation)	-30 °C ... 80 °C
	-5 °C ... 50 °C (During assembly)

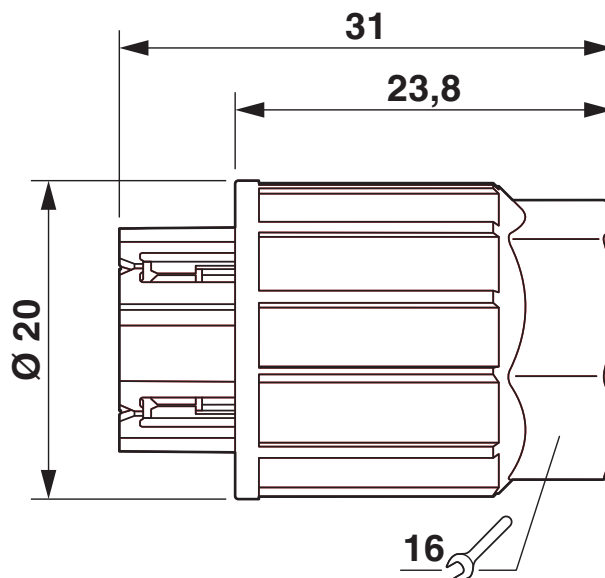
# SACB-QO SET - Screw connection set

1293751

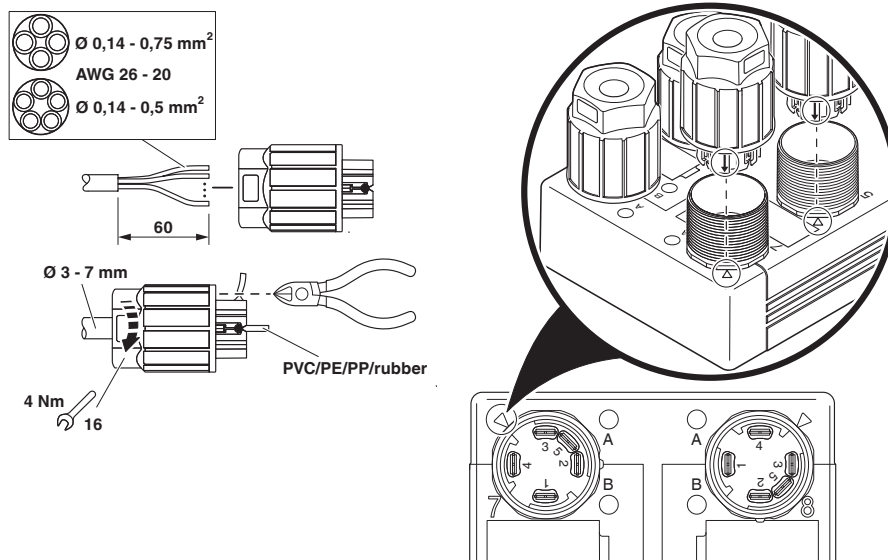
<https://www.phoenixcontact.com/us/products/1293751>

## Drawings

Dimensional drawing



Functional drawing



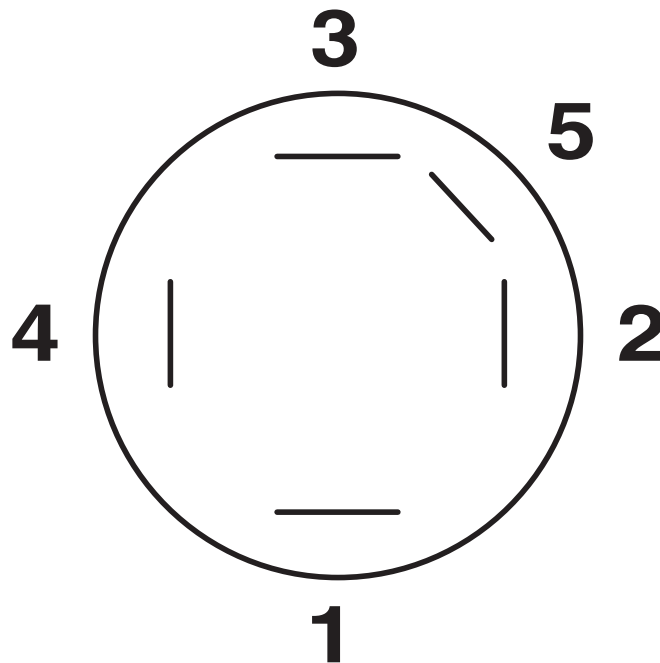
# SACB-QO SET - Screw connection set

1293751

<https://www.phoenixcontact.com/us/products/1293751>



Schematic diagram



QUICKON connection, 5-pos.

# SACB-QO SET - Screw connection set



1293751

<https://www.phoenixcontact.com/us/products/1293751>

## Classifications

### ECLASS

ECLASS-13.0	27440691
ECLASS-15.0	27440691

### ETIM

ETIM 10.0	EC002863
-----------	----------

### UNSPSC

UNSPSC 21.0	39121400
-------------	----------

# SACB-QO SET - Screw connection set



1293751

<https://www.phoenixcontact.com/us/products/1293751>

## Environmental product compliance

### EU RoHS

Fulfills EU RoHS substance requirements	Yes, No exemptions
---	--------------------

### China RoHS

Environment friendly use period (EFUP)	EFUP-E
	No hazardous substances above the limits

### EU REACH SVHC

REACH candidate substance (CAS No.)	No substance above 0.1 wt%
-------------------------------------	----------------------------

Phoenix Contact 2026 © - all rights reserved  
<https://www.phoenixcontact.com>

Phoenix Contact USA  
586 Fulling Mill Road  
Middletown, PA 17057, United States  
(+717) 944-1300  
[info@phoenixcon.com](mailto:info@phoenixcon.com)