

MACX MCR-EX-AP-2REL-2DI-LP - Relay module



1292331

<https://www.phoenixcontact.com/us/products/1292331>

Please be informed that the data shown in this PDF document is generated from our online catalog. Please find the complete data in the user documentation. Our general terms of use for downloads are valid.



Ex i-Relay module isolates binary Ex i and non Ex i signal and control circuits, and is used for intrinsically safe activation of Ex i field currents via one changeover contact relay per channel. number of channels: 2, Standard configuration, Loop-powered, 4-way isolation, Safety Integrity Level (SIL, IEC 61508): 2, Screw connection

Commercial data

Item number	1292331
Packing unit	1 pc
Minimum order quantity	1 pc
Sales key	C430
Product key	DK121W
GTIN	4063151525613
Weight per piece (including packing)	189.3 g
Weight per piece (excluding packing)	160 g
Customs tariff number	85437090
Country of origin	DE

MACX MCR-EX-AP-2REL-2DI-LP - Relay module



1292331

<https://www.phoenixcontact.com/us/products/1292331>

Technical data

Notes

Notes on operation	Installation conditions influence the ambient temperature. Please refer to the operating instructions.
--------------------	--

Product properties

Product type	Relay Module
Product family	MACX Analog
No. of channels	2

Electrical properties

Electrical isolation	4-way isolation
Electrical isolation between input and output	yes

Electrical isolation Input/output IEC/EN 60079-11

Standards/regulations	IEC/EN 60079-11
Rated insulation voltage	375 V _{PP}

Electrical isolation Input 1 / input 2

Test voltage	350 V (50 Hz, 60 s)
--------------	---------------------

Supply

Supply voltage range	loop-powered, no external supply necessary
Power dissipation	≤ 0.4 W

Input data

Control

Description of the input	Control input, not intrinsically safe
Voltage input signal	12 V ... 31.2 V (Switching signal)
Current consumption	< 25 mA (12 V) < 17 mA (24 V ... 31.2 V)

Output data

Switching: Relay

Output description	intrinsically safe
Contact switching type	1 changeover contact per channel
Minimum switching voltage	1 V (1 mA)
Maximum switching voltage	45 V DC (0.25 A) 30 V DC (4 A) 45 V AC (4 A, cos φ >0.7)
Typical response time	≤ 10 ms
Typical turn-off time	≤ 10 ms
Switching frequency	≤ 15 Hz

MACX MCR-EX-AP-2REL-2DI-LP - Relay module



1292331

<https://www.phoenixcontact.com/us/products/1292331>

Connection data

Connection method	Screw connection
Stripping length	7 mm
Screw thread	M3
Conductor cross-section rigid	0.2 mm ² ... 2.5 mm ²
Conductor cross-section flexible	0.2 mm ² ... 2.5 mm ²
Conductor cross-section AWG	24 ... 14
Tightening torque	0.5 Nm ... 0.6 Nm

Ex data

Ex installation (EPL)	Gc
Ex i circuits (EPL)	[Ga]
	[Da]
	[Ma]

Safety data

Input voltage U_i	45 V AC
Input current I_i	4 A
Max. internal inductance L_i	negligible
Max. internal capacitance C_i	negligible
Safety-related maximum voltage U_m	253 V AC

Safety data

Input voltage U_i	45 V DC
Input current I_i	0.25 A
Max. internal inductance L_i	negligible
Max. internal capacitance C_i	negligible
Safety-related maximum voltage U_m	253 V AC

Safety data

Input voltage U_i	30 V DC
Input current I_i	4 A
Max. internal inductance L_i	negligible
Max. internal capacitance C_i	negligible
Safety-related maximum voltage U_m	253 V AC

Dimensions

Dimensional drawing	
Width	17.5 mm

MACX MCR-EX-AP-2REL-2DI-LP - Relay module



1292331

<https://www.phoenixcontact.com/us/products/1292331>

Height	112.5 mm
Depth	113.7 mm
Depth NS 35/7,5	114.5 mm (Snapped onto DIN rail NS 35/7,5 in accordance with EN 60715)

Material specifications

Flammability rating according to UL 94	V0
Housing material	PA 6.6

Environmental and real-life conditions

Ambient conditions

Degree of protection	IP20 (Terminal blocks) IP30 (Housing)
Ambient temperature (operation)	-20 °C ... 70 °C (Stand-alone device: any mounting position) -20 °C ... 70 °C (Group assembly: vertical DIN rail without circulating air) -20 °C ... 70 °C (Group assembly: vertical DIN rail with circulating air) -20 °C ... 70 °C (Group assembly: horizontal DIN rail without circulating air) -20 °C ... 70 °C (Group assembly: horizontal DIN rail with circulating air)
Ambient temperature (storage/transport)	-40 °C ... 80 °C
Altitude	≤ 2000 m
Permissible humidity (operation)	≤ 95 % (non-condensing)

Approvals

ATEX

Identification	Ⓜ II (1) G [Ex ia Ga] IIC Ⓜ II (1) D [Ex ia Da] IIIC Ⓜ II 3(1) G Ex ec nC [ia Ga] IIC T4 Gc Ⓜ I (M1) [Ex ia Ma] I
----------------	--

IECEX

Identification	[Ex ia Ga] IIC [Ex ia Da] IIIC Ex ec nC [ia Ga] IIC T4 Gc [Ex ia Ma] I
----------------	---

Safety Integrity Level (SIL, IEC 61508)

Identification	2
----------------	---

EMC data

Electromagnetic compatibility	Tested in accordance with the following standards and regulations: EN 61326-1 For industrial use, NAMUR NE 21
-------------------------------	---

MACX MCR-EX-AP-2REL-2DI-LP - Relay module



1292331

<https://www.phoenixcontact.com/us/products/1292331>

Standards and regulations

Electrical isolation	4-way isolation
----------------------	-----------------

Mounting

Mounting type	NS 35/15, NS 35/7,5
Mounting position	vertical, horizontal

MACX MCR-EX-AP-2REL-2DI-LP - Relay module

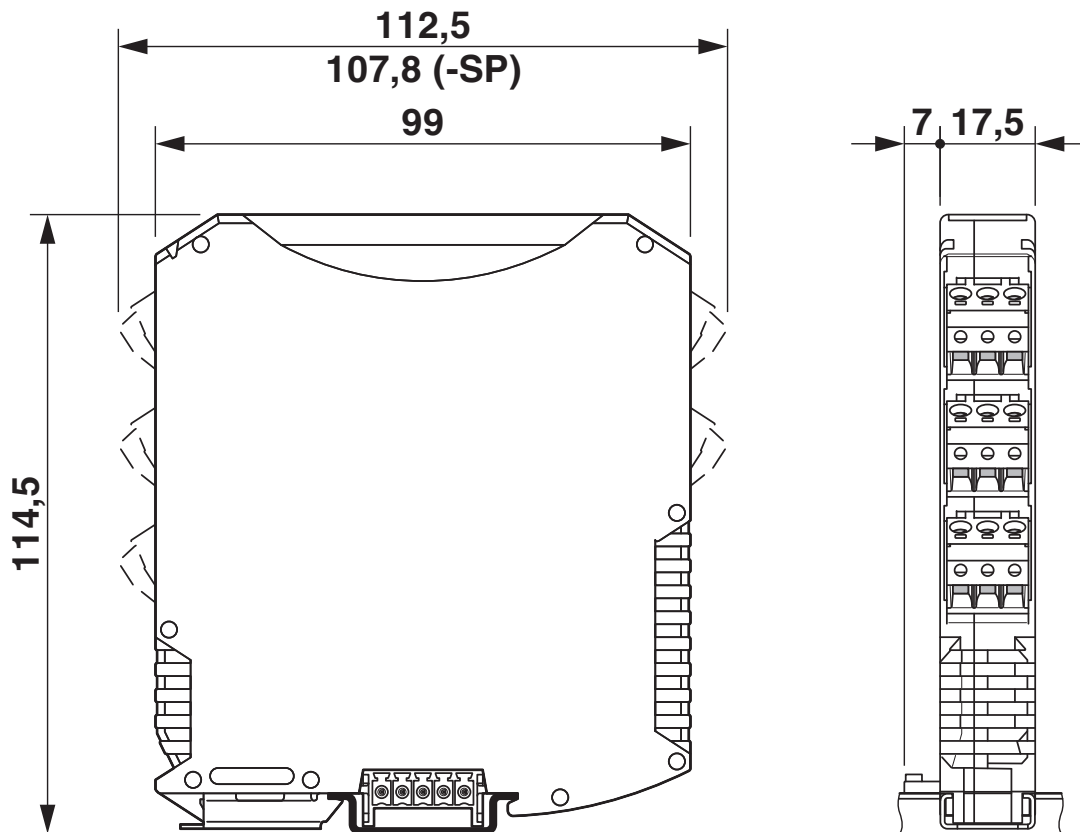


1292331

<https://www.phoenixcontact.com/us/products/1292331>

Drawings

Dimensional drawing



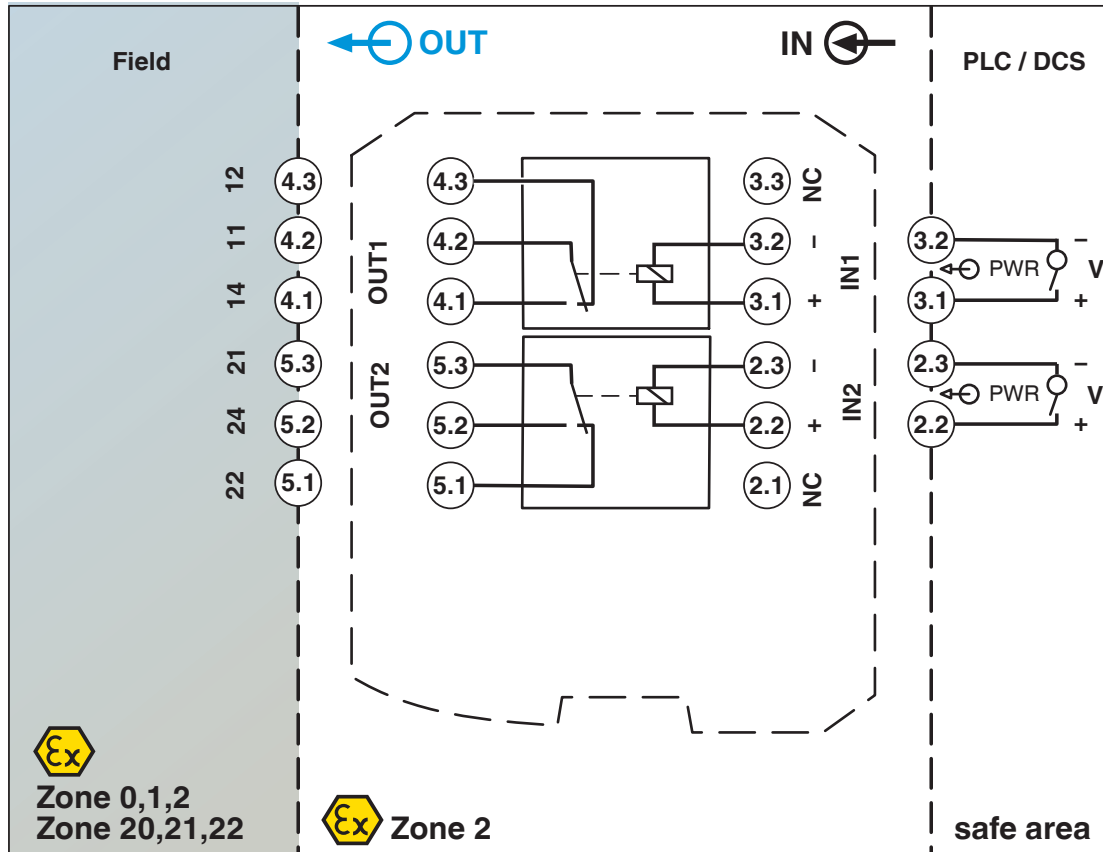
MACX MCR-EX-AP-2REL-2DI-LP - Relay module



1292331

<https://www.phoenixcontact.com/us/products/1292331>

Block diagram



MACX MCR-EX-AP-2REL-2DI-LP - Relay module



1292331

<https://www.phoenixcontact.com/us/products/1292331>

Approvals

To download certificates, visit the product detail page: <https://www.phoenixcontact.com/us/products/1292331>

Functional Safety

Approval ID: 22/05-248 R032 V1R0



IECEX

Approval ID: IECEx BVS 21.0058X



ATEX

Approval ID: BVS 21 ATEX E 053X

MACX MCR-EX-AP-2REL-2DI-LP - Relay module



1292331

<https://www.phoenixcontact.com/us/products/1292331>

Classifications

ECLASS

ECLASS-13.0	27210192
ECLASS-15.0	27210192

ETIM

ETIM 10.0	EC002498
-----------	----------

UNSPSC

UNSPSC 21.0	39121000
-------------	----------

MACX MCR-EX-AP-2REL-2DI-LP - Relay module



1292331

<https://www.phoenixcontact.com/us/products/1292331>

Environmental product compliance

EU RoHS

Fulfills EU RoHS substance requirements	Yes
Exemption	6(c), 7(a), 7(c)-I

China RoHS

Environment friendly use period (EFUP)	EFUP-50
	An article-related China RoHS declaration table can be found in the download area for the respective article under "Manufacturer declaration". For all articles with EFUP-E, no China RoHS declaration table issued and required.

EU REACH SVHC

REACH candidate substance (CAS No.)	Lead(CAS: 7439-92-1)
SCIP	527a5898-3267-4b3a-8030-0259c0dda785

Phoenix Contact 2026 © - all rights reserved

<https://www.phoenixcontact.com>

Phoenix Contact USA
586 Fulling Mill Road
Middletown, PA 17057, United States
(+717) 944-1300
info@phoenixcon.com