

MACX MCR-EX-AP-IDS-2I-2I-LP-SP - Output signal conditioner



1291983

<https://www.phoenixcontact.com/us/products/1291983>

Please be informed that the data shown in this PDF document is generated from our online catalog. Please find the complete data in the user documentation. Our general terms of use for downloads are valid.



Ex i-Output isolator isolates and transmits 0 mA / 4 mA ... 20 mA signals with intrinsic safety in potentially explosive areas. Suitable for fire and gas detectors. number of channels: 2, open-circuit voltage: 25 V, Standard configuration, Loop-powered, 4-way isolation, Safety Integrity Level (SIL, IEC 61508): 3, Push-in connection

Commercial data

Item number	1291983
Packing unit	1 pc
Minimum order quantity	1 pc
Sales key	C430
Product key	DK121W
GTIN	4063151524937
Weight per piece (including packing)	188.2 g
Weight per piece (excluding packing)	160 g
Customs tariff number	85437090
Country of origin	DE

MACX MCR-EX-AP-IDS-2I-2I-LP-SP - Output signal conditioner



1291983

<https://www.phoenixcontact.com/us/products/1291983>

Technical data

Notes

Note on application	Accuracy, typically specified as a percentage of the measuring span (20 mA) at U_N , 23°C
Notes on operation	Installation conditions influence the ambient temperature. Please refer to the operating instructions.

Product properties

Product type	Output signal conditioner
Product family	MACX Analog
No. of channels	2

Electrical properties

Electrical isolation	4-way isolation
Electrical isolation between input and output	yes
Linearity error	$\leq 0.25\%$ (at load = 0 Ω)
Signal transmission behavior	In = Out
Temperature coefficient, typical	$\leq 0.1\%$ (10 K)
Reverse polarity protection	yes

Electrical isolation Input/output

Rated insulation voltage	375 V _{PP}
--------------------------	---------------------

Electrical isolation Output 1/output 2

Test voltage	350 V (50 Hz, 60 s)
--------------	---------------------

Electrical isolation Input 1 / input 2

Test voltage	500 V (50 Hz, 60 s)
--------------	---------------------

Supply

Supply voltage range	loop-powered, no external supply necessary
Power dissipation	≤ 0.2 W (at 20 mA, per channel)
	≤ 0.6 W (at 40 mA, per channel)

Input data

Signal: Current

Number of inputs	2
Current input signal	0 mA ... 20 mA
	4 mA ... 20 mA (with HART)
	0 mA ... 40 mA (Function area)
Voltage drop	1 V (constant)

Output data

MACX MCR-EX-AP-IDS-2I-2I-LP-SP - Output signal conditioner



1291983

<https://www.phoenixcontact.com/us/products/1291983>

Signal: Current

Output description	intrinsically safe
Number of outputs	2
Current output signal	0 mA ... 20 mA
	4 mA ... 20 mA (with HART)
	0 mA ... 40 mA (Function area)
Load/output load current output	$\leq 800 \Omega$ (20 mA)
Open-circuit voltage	25 V
Line fault detection	0 mA (Line break)
	≤ 1 mA (Input current behavior)

Connection data

Connection method	Push-in connection
Stripping length	8 mm
Conductor cross-section rigid	0.2 mm ² ... 1.5 mm ²
Conductor cross-section flexible	0.2 mm ² ... 1.5 mm ²
Conductor cross-section AWG	24 ... 16

Ex data

Ex installation (EPL)	Gc
Ex i circuits (EPL)	[Ga]
	[Da]
	[Ma]

Safety data

Max. internal inductance L_i	negligible
Max. internal capacitance C_i	negligible
Max. output voltage U_o	25 V
Max. output current I_o	99 mA
Max. output power P_o	613 mW
Safety-related maximum voltage U_m	253 V AC
IIA (simple circuit): Max. external inductivity L_o / Max. external capacitance C_o	28 mH / 2.97 μ F
IIB (simple circuit): Max. external inductivity L_o / Max. external capacitance C_o	11 mH / 840 nF
IIC (simple circuit): Max. external inductivity L_o / Max. external capacitance C_o	2.5 mH / 110 nF
I (simple circuit): Max. external inductivity L_o / Max. external capacitance C_o	46 mH / 4.87 μ F

Interfaces

Data communication (bypass)

Protocols supported	HART-transparent
---------------------	------------------

MACX MCR-EX-AP-IDS-2I-2I-LP-SP - Output signal conditioner



1291983

<https://www.phoenixcontact.com/us/products/1291983>

Dimensions

Dimensional drawing	
Width	17.5 mm
Height	107.8 mm
Depth	113.7 mm
Depth NS 35/7,5	114.5 mm (Snapped onto DIN rail NS 35/7,5 in accordance with EN 60715)

Material specifications

Flammability rating according to UL 94	V0
Housing material	PA 6.6

Environmental and real-life conditions

Ambient conditions

Degree of protection	IP20 (Terminal blocks) IP30 (Housing)
Ambient temperature (operation)	-20 °C ... 70 °C (Stand-alone device: any mounting position) -20 °C ... 70 °C (Group assembly: vertical DIN rail without circulating air) -20 °C ... 70 °C (Group assembly: vertical DIN rail with circulating air) -20 °C ... 70 °C (Group assembly: horizontal DIN rail without circulating air) -20 °C ... 70 °C (Group assembly: horizontal DIN rail with circulating air)
Ambient temperature (storage/transport)	-40 °C ... 80 °C
Altitude	≤ 2000 m
Permissible humidity (operation)	≤ 95 % (non-condensing)

Approvals

ATEX

Identification	<ul style="list-style-type: none"> ⊕ II (1) G [Ex ia Ga] IIC ⊕ II (1) D [Ex ia Da] IIIC ⊕ II 3 (1) G Ex nA [ia Ga] IIC T4 Gc ⊕ I (M1) [Ex ia Ma] I
----------------	--

IECEX

MACX MCR-EX-AP-IDS-2I-2I-LP-SP - Output signal conditioner



1291983

<https://www.phoenixcontact.com/us/products/1291983>

Identification	[Ex ia Ga] IIC
	[Ex ia Da] IIIC
	Ex nA [ia Ga] IIC T4 Gc
	[Ex ia Ma] I

Safety Integrity Level (SIL, IEC 61508)

Identification	3
----------------	---

EMC data

Electromagnetic compatibility	Tested in accordance with the following standards and regulations: EN 61326-1 For industrial use, NAMUR NE 21
-------------------------------	---

Standards and regulations

Electrical isolation	4-way isolation
----------------------	-----------------

Mounting

Mounting type	NS 35/15, NS 35/7,5
Mounting position	vertical, horizontal

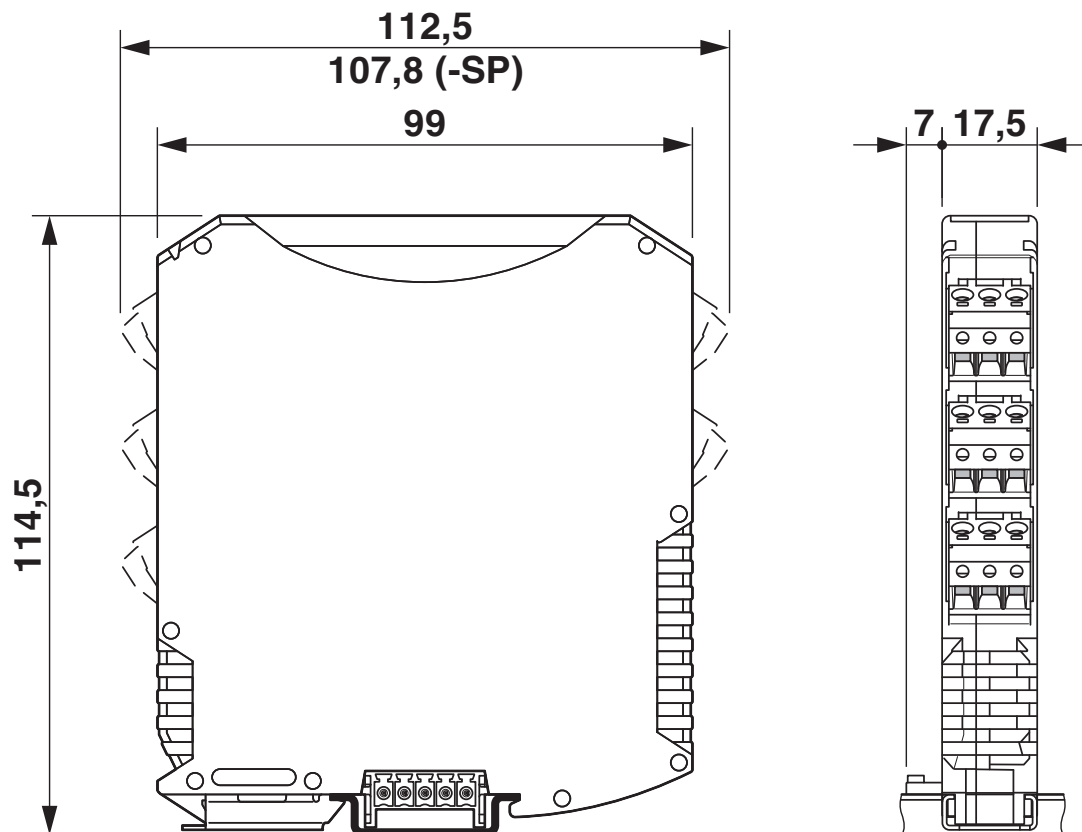
MACX MCR-EX-AP-IDS-2I-2I-LP-SP - Output signal conditioner

1291983

<https://www.phoenixcontact.com/us/products/1291983>

Drawings

Dimensional drawing

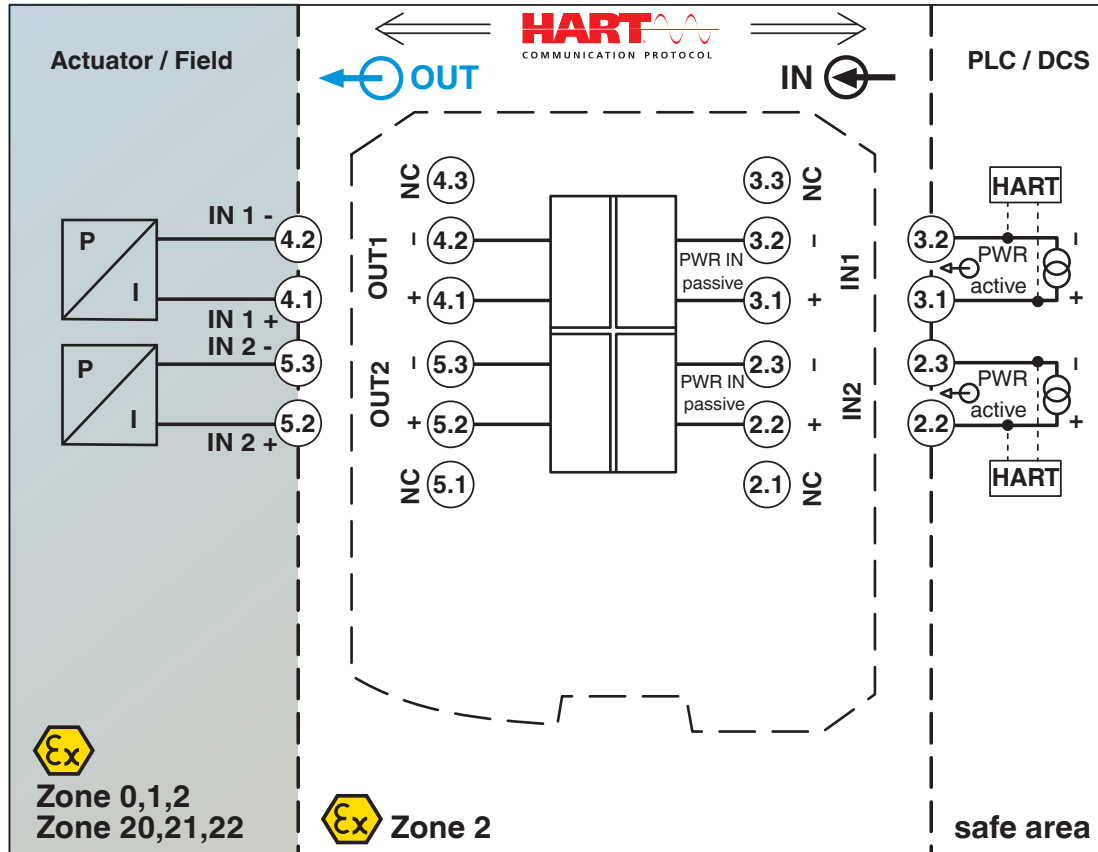


MACX MCR-EX-AP-IDS-2I-2I-LP-SP - Output signal conditioner

1291983

<https://www.phoenixcontact.com/us/products/1291983>

Block diagram



MACX MCR-EX-AP-IDS-2I-2I-LP-SP - Output signal conditioner



1291983

<https://www.phoenixcontact.com/us/products/1291983>

Approvals

To download certificates, visit the product detail page: <https://www.phoenixcontact.com/us/products/1291983>

Functional Safety

Approval ID: 22/05-248 R031 V1R0



IECEX

Approval ID: IECEX BVS 21.0034X



ATEX

Approval ID: BVS 21 ATEX E 032X

MACX MCR-EX-AP-IDS-2I-2I-LP-SP - Output signal conditioner



1291983

<https://www.phoenixcontact.com/us/products/1291983>

Classifications

ECLASS

ECLASS-13.0	27210120
ECLASS-15.0	27210120

ETIM

ETIM 10.0	EC002653
-----------	----------

MACX MCR-EX-AP-IDS-2I-2I-LP-SP - Output signal conditioner



1291983

<https://www.phoenixcontact.com/us/products/1291983>

Environmental product compliance

EU RoHS

Fulfills EU RoHS substance requirements	Yes
Exemption	6(c), 7(a), 7(c)-I

China RoHS

Environment friendly use period (EFUP)	EFUP-50
	An article-related China RoHS declaration table can be found in the download area for the respective article under "Manufacturer declaration". For all articles with EFUP-E, no China RoHS declaration table issued and required.

EU REACH SVHC

REACH candidate substance (CAS No.)	Lead(CAS: 7439-92-1)
SCIP	66d0bc47-7b83-4df2-b289-76d7f37655de

Phoenix Contact 2026 © - all rights reserved
<https://www.phoenixcontact.com>

Phoenix Contact USA
586 Fulling Mill Road
Middletown, PA 17057, United States
(+717) 944-1300
info@phoenixcon.com