

MACX MCR-EX-AP-2SD-25-35-LP - Solenoid driver



1291176

<https://www.phoenixcontact.com/us/products/1291176>

Please be informed that the data shown in this PDF document is generated from our online catalog. Please find the complete data in the user documentation. Our general terms of use for downloads are valid.



Ex i-Solenoid driver for intrinsically safe activation of Ex i solenoid valves, alarm transmitters, or displays installed in potentially explosive areas. number of channels: 2, Standard configuration, Loop-powered, 4-way isolation, Safety Integrity Level (SIL, IEC 61508): 3, Screw connection

Commercial data

Item number	1291176
Packing unit	1 pc
Minimum order quantity	1 pc
Sales key	C430
Product key	DK121W
GTIN	4063151523749
Weight per piece (including packing)	205.6 g
Weight per piece (excluding packing)	160 g
Customs tariff number	85437090
Country of origin	DE

Technical data

Notes

Notes on operation	Installation conditions influence the ambient temperature. Please refer to the "Control cabinet installation instructions".
--------------------	---

Product properties

Product type	Solenoid driver
Product family	MACX Analog
No. of channels	2

Electrical properties

Electrical isolation	4-way isolation
Electrical isolation between input and output	yes
Reverse polarity protection	yes

Electrical isolation Input/output IEC/EN 60079-11

Standards/regulations	IEC/EN 60079-11
Rated insulation voltage	375 V _{PP}

Electrical isolation Output 1/output 2

Test voltage	500 V (50 Hz, 60 s)
--------------	---------------------

Electrical isolation Input 1 / input 2

Test voltage	350 V (50 Hz, 60 s)
--------------	---------------------

Supply

Supply voltage range	loop-powered, no external supply necessary
Power consumption	0.5 W (+ I _A × 37 mW/mA)

Input data

Signal: Digital

Switching level "0" signal	0 V ... 5 V
Switching level "1" signal	18 V ... 31.2 V

Output data

Switching: Digital

Output description	intrinsically safe
Typical response time	≤ 18 ms
Typical turn-off time	≤ 50 ms
Switching frequency	≤ 10 Hz
Open-circuit voltage	25 V DC
Output current	≤ 35 mA (per output) ≤ 70 mA (Outputs connected in parallel)
Internal resistance	250 Ω (per output)

MACX MCR-EX-AP-2SD-25-35-LP - Solenoid driver



1291176

<https://www.phoenixcontact.com/us/products/1291176>

	125 Ω (Outputs connected in parallel)
Residual ripple	≤ 100 mV

Connection data

Connection method	Screw connection
Stripping length	7 mm
Screw thread	M3
Conductor cross-section rigid	0.2 mm ² ... 2.5 mm ²
Conductor cross-section flexible	0.2 mm ² ... 2.5 mm ²
Conductor cross-section AWG	24 ... 14
Tightening torque	0.5 Nm ... 0.6 Nm

Ex data

Ex installation (EPL)	Gc
Ex i circuits (EPL)	[Ga]
	[Da]
	[Ma]

Safety data: Highest values per output

Max. internal inductance L_i	negligible
Max. internal capacitance C_i	1.1 nF
Max. output voltage U_o	27.6 V
Max. output current I_o	110 mA (Ex ia)
	50 mA (Ex ib)
Max. output power P_o	760 mW
Safety-related maximum voltage U_m	253 V AC
IIA (simple circuit): Max. external inductivity L_o / Max. external capacitance C_o	100 mH / 2.22 μF
IIB (simple circuit): Max. external inductivity L_o / Max. external capacitance C_o	9 mH / 667 nF
IIC (simple circuit): Max. external inductivity L_o / Max. external capacitance C_o	1.2 mH / 85 nF
I (simple circuit): Max. external inductivity L_o / Max. external capacitance C_o	100 mH / 3.5 μF

Safety data: Highest values with two outputs connected in parallel

Max. internal inductance L_i	negligible
Max. internal capacitance C_i	2.2 nF
Max. output voltage U_o	27.6 V
Max. output current I_o	220 mA (Ex ia)
	100 mA (Ex ib)
Max. output power P_o	1520 mW
Safety-related maximum voltage U_m	253 V AC
IIA (simple circuit): Max. external inductivity L_o / Max. external capacitance C_o	25 mH / 2.22 μF
IIB/IIC (simple circuit): Max. external inductivity L_o / Max. external capacitance C_o	1.8 mH / 665 nF

MACX MCR-EX-AP-2SD-25-35-LP - Solenoid driver



1291176

<https://www.phoenixcontact.com/us/products/1291176>

I (simple circuit): Max. external inductivity L_o / Max. external capacitance C_o	40 mH / 3.5 μ F
---	---------------------

Signaling

Status display	Yellow LED/per channel
----------------	------------------------

Dimensions

Dimensional drawing	
Width	17.5 mm
Height	112.5 mm
Depth	113.7 mm
Depth NS 35/7,5	114.5 mm (Snapped onto DIN rail NS 35/7,5 in accordance with EN 60715)

Material specifications

Flammability rating according to UL 94	V0
Housing material	PA 6.6

Environmental and real-life conditions

Ambient conditions

Degree of protection	IP20 (Terminal blocks) IP30 (Housing)
Ambient temperature (operation)	-20 °C ... 70 °C (Stand-alone device: any mounting position) -20 °C ... 50 °C (Group assembly: vertical DIN rail without circulating air) -20 °C ... 60 °C (Group assembly: vertical DIN rail with circulating air) -20 °C ... 60 °C (Group assembly: horizontal DIN rail without circulating air) -20 °C ... 65 °C (Group assembly: horizontal DIN rail with circulating air)
Ambient temperature (storage/transport)	-40 °C ... 80 °C
Altitude	≤ 2000 m
Permissible humidity (operation)	≤ 95 % (non-condensing)

Approvals

ATEX

Identification	Ⓜ II (1) G [Ex ia Ga] IIC Ⓜ II (1) D [Ex ia Da] IIIC Ⓜ II 3 (1) G Ex nA [ia Ga] IIC T4 Gc
----------------	---

MACX MCR-EX-AP-2SD-25-35-LP - Solenoid driver



1291176

<https://www.phoenixcontact.com/us/products/1291176>

	⊕ I (M1) [Ex ia Ma] I
--	-----------------------

IECEEx

Identification	[Ex ia Ga] IIC
	[Ex ia Da] IIIC
	Ex nA [ia Ga] IIC T4 Gc
	[Ex ia Ma] I

Safety Integrity Level (SIL, IEC 61508)

Identification	3
----------------	---

EMC data

Electromagnetic compatibility	Tested in accordance with the following standards and regulations: EN 61326-1 For industrial use, NAMUR NE 21
-------------------------------	---

Standards and regulations

Electrical isolation	4-way isolation
----------------------	-----------------

Mounting

Mounting type	NS 35/15, NS 35/7,5
Mounting position	vertical, horizontal

MACX MCR-EX-AP-2SD-25-35-LP - Solenoid driver

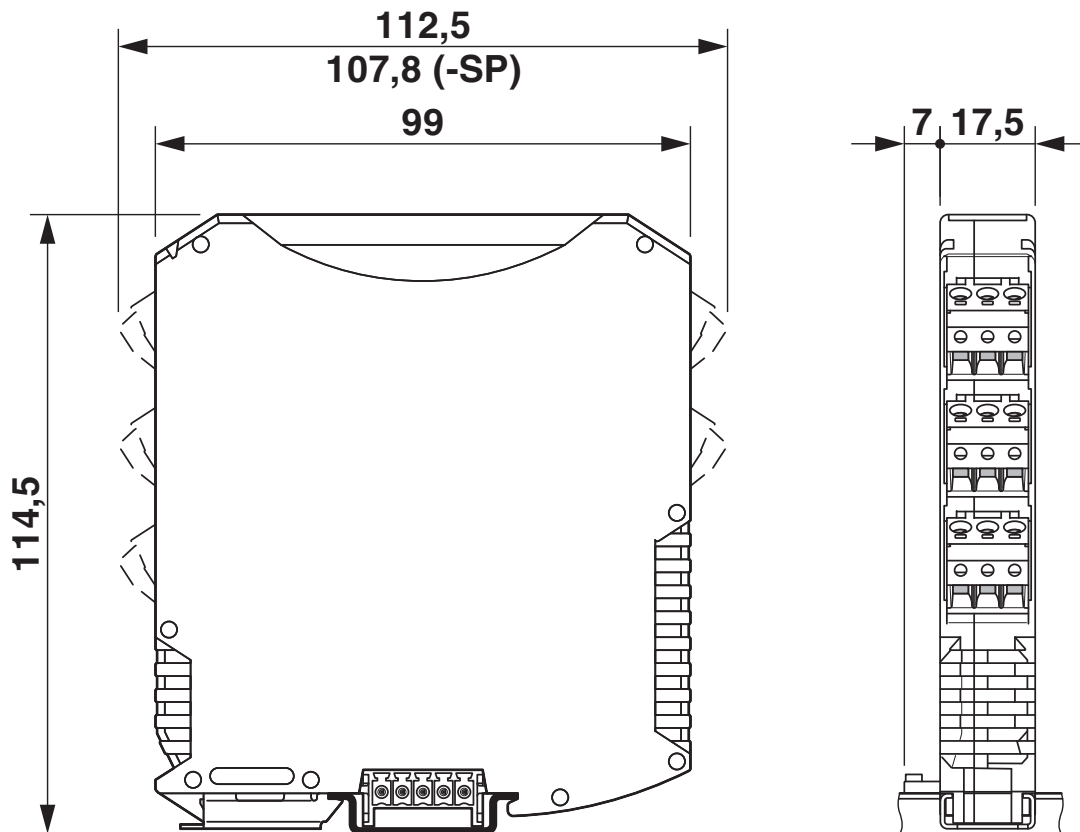


1291176

<https://www.phoenixcontact.com/us/products/1291176>

Drawings

Dimensional drawing



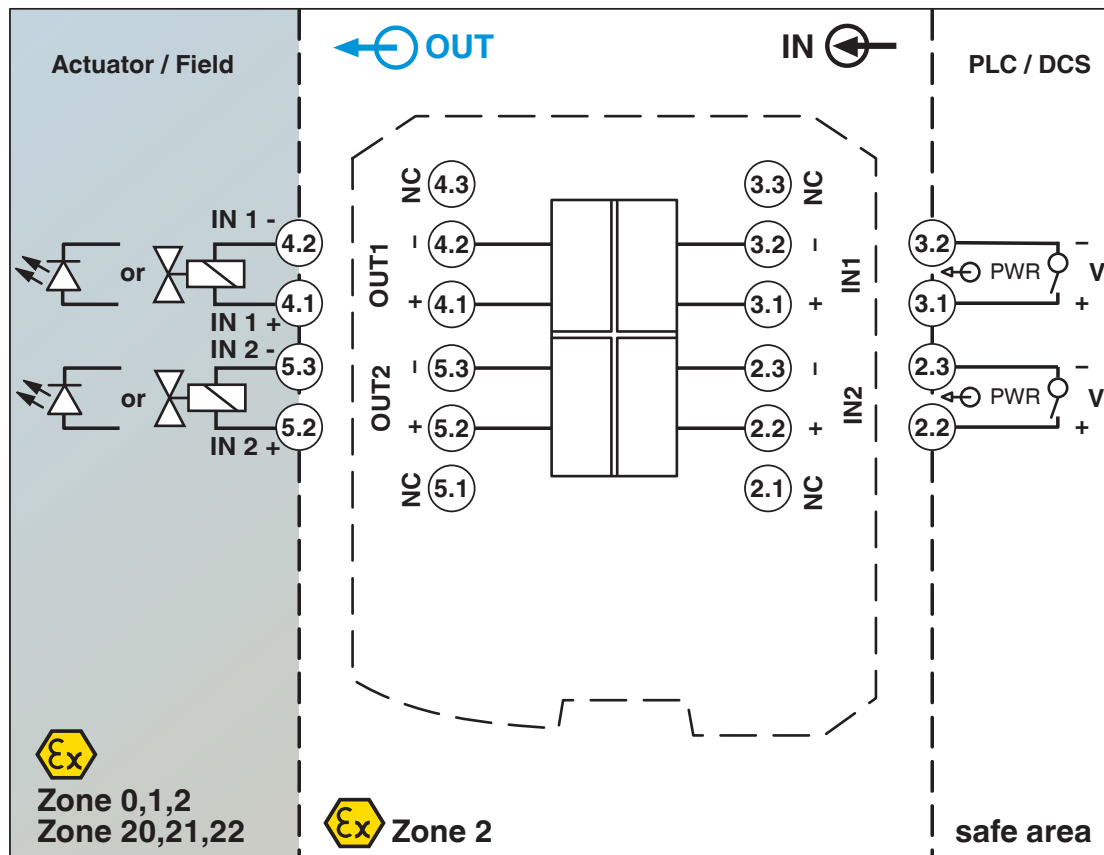
MACX MCR-EX-AP-2SD-25-35-LP - Solenoid driver



1291176

<https://www.phoenixcontact.com/us/products/1291176>

Block diagram



1291176

<https://www.phoenixcontact.com/us/products/1291176>

Approvals

To download certificates, visit the product detail page: <https://www.phoenixcontact.com/us/products/1291176>

Functional Safety

Approval ID: 22/05-248 R033 V1R0



IECEX

Approval ID: IECEx BVS 21.0036X



ATEX

Approval ID: BVS 21 ATEX E 034X

1291176

<https://www.phoenixcontact.com/us/products/1291176>

Classifications

ECLASS

ECLASS-13.0	27210120
ECLASS-15.0	27210120

ETIM

ETIM 10.0	EC002653
-----------	----------

1291176

<https://www.phoenixcontact.com/us/products/1291176>

Environmental product compliance

EU RoHS

Fulfills EU RoHS substance requirements	Yes
Exemption	6(c), 7(a), 7(c)-I

China RoHS

Environment friendly use period (EFUP)	EFUP-50
	An article-related China RoHS declaration table can be found in the download area for the respective article under "Manufacturer declaration". For all articles with EFUP-E, no China RoHS declaration table issued and required.

EU REACH SVHC

REACH candidate substance (CAS No.)	Lead(CAS: 7439-92-1)
SCIP	f437eca2-4944-40ba-be66-0d9c5bb13f4e

Phoenix Contact 2026 © - all rights reserved

<https://www.phoenixcontact.com>

Phoenix Contact USA
 586 Fulling Mill Road
 Middletown, PA 17057, United States
 (+717) 944-1300
info@phoenixcon.com