

# UCS HH 87-87 7035 - Housing half-shell



1290574

<https://www.phoenixcontact.com/us/products/1290574>

Please be informed that the data shown in this PDF document is generated from our online catalog. Please find the complete data in the user documentation. Our general terms of use for downloads are valid.

Housing half-shell for creating a UCS housing of dimensions 87 x 87 mm; material: polycarbonate; color: light gray, similar to RAL 7035



## Your advantages

- High degree of application flexibility, thanks to the modular housing design
- Can be used universally thanks to extensive accessories
- Practical customization options
- High degree of application flexibility with various depths, 47 mm and 67 mm

## Commercial data

Item number	1290574
Packing unit	20 pc
Minimum order quantity	20 pc
Sales key	AC03
Product key	ACFCAA
GTIN	4063151522162
Weight per piece (including packing)	52.5 g
Weight per piece (excluding packing)	35.09 g
Customs tariff number	84879090
Country of origin	DE

# UCS HH 87-87 7035 - Housing half-shell

1290574

<https://www.phoenixcontact.com/us/products/1290574>

## Technical data

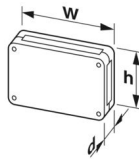
### Notes

Assembly note	Please observe the application note in the download area.
---------------	---

### Product properties

Product type	Housing half shells
Housing type	Universal housings
Housing series	UCS
Product family	UCS 87-87
Ventilation openings present	no

### Dimensions

Dimensional drawing	
Width	87 mm
Height	87 mm
Depth	21.8 mm

### PCB design

PCB thickness	0.8 mm ... 3 mm
---------------	-----------------

### Material specifications

Color (Housing)	light gray (RAL 7035)
Material Housing	PC
Flammability rating according to UL 94	V0
CTI according to IEC 60112	225
Insulating material	PC

### Environmental and real-life conditions

#### Power dissipation single housing for 20 °C

Ambient temperature	20 °C
Reduction factor	1
Mounting position	vertical
Power dissipation	6.4 W

#### Power dissipation single housing for 30 °C

Ambient temperature	30 °C
Reduction factor	0.85
Mounting position	vertical

# UCS HH 87-87 7035 - Housing half-shell



1290574

<https://www.phoenixcontact.com/us/products/1290574>

Power dissipation	5.45 W
-------------------	--------

## Power dissipation single housing for 40 °C

Ambient temperature	40 °C
Reduction factor	0.68
Mounting position	vertical
Power dissipation	4.35 W

## Power dissipation single housing for 50 °C

Ambient temperature	50 °C
Reduction factor	0.55
Mounting position	vertical
Power dissipation	3.5 W

## Power dissipation single housing for 60 °C

Ambient temperature	60 °C
Reduction factor	0.4
Mounting position	vertical
Power dissipation	2.55 W

## Vibration test

Specification	IEC 60068-2-6:2007-12
Frequency	10 - 150 - 10 Hz
Sweep speed	1 octave/min
Amplitude	0.15 mm (10 Hz ... 58.1 Hz)
Acceleration	2g (58.1 Hz ... 150 Hz)
Test duration per axis	2.5 h
Test directions	X-, Y- and Z-axis

## Glow-wire test

Specification	IEC 60695-2-11:2014-02
Temperature	850 °C
Time of exposure	30 s

## Thermal stability / ball thrust test

Specification	IEC 60695-10-2:2014-02
Temperature	125 °C
Test duration	1 h
Force	20 N

## Mechanical strength / tumbling barrel

Specification	IEC 60068-2-31:2008-05
Height of fall	50 cm
Frequency	50

## Shocks

Specification	IEC 60068-2-27:2008-02
Pulse shape	Half-sine

# UCS HH 87-87 7035 - Housing half-shell



1290574

<https://www.phoenixcontact.com/us/products/1290574>

Acceleration	15g
Shock duration	11 ms
Number of shocks per direction	3
Test directions	X-, Y- and Z-axis (pos. and neg.)

## Test for substances that would hinder coating with paint or varnish

Specification	VDMA 24364:2018-05
Result	Test passed

## Degree of protection (IP code)

Specification	IEC 60529:1989-11 + AMD 1:1999-11 + AMD 2:2013-08
Result, degree of protection, IP code	IP40

## Ambient conditions

Max. IP code to attain	IP40
Ambient temperature (operation)	-40 °C ... 105 °C (depending on power dissipation)
Ambient temperature (storage/transport)	-40 °C ... 70 °C
Ambient temperature (assembly)	-5 °C ... 100 °C
Relative humidity (storage/transport)	95 %

## PCB data

Type of PCB mount	Bolt mounting
Total PCB surface	3600 mm <sup>2</sup>
Thickness of the PCB	0.8 mm ... 3 mm

## Mounting

Mounting type	Screw mounting
Mounting position	any
Tightening torque / speed	Screw connection between housing halves: 1.2 - 1.4 Nm / 500 - 1000 rpm
	Mounting of PCB on corner feeder: 0.4 - 0.5 Nm / 500 - 1000 rpm
Tightening torque	1.2 Nm ... 1.4 Nm
Tightening torque	0.4 Nm ... 0.5 Nm

## Packaging specifications

Type of packaging	Box packaging
-------------------	---------------

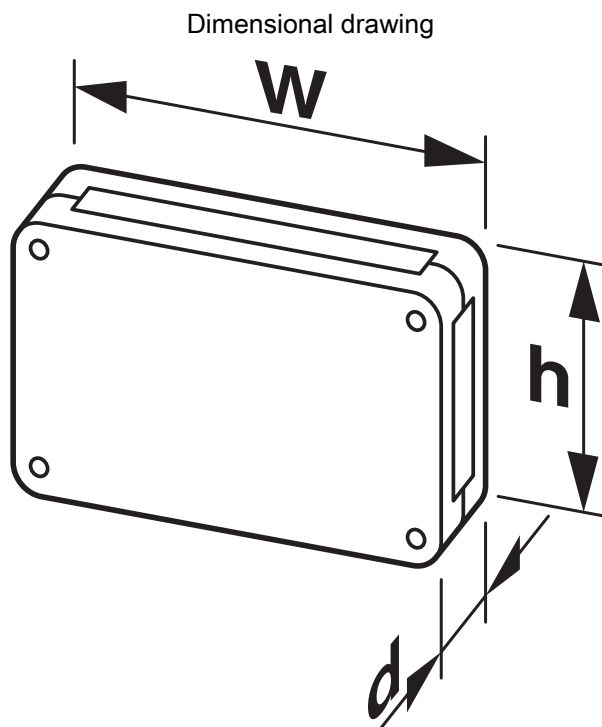
# UCS HH 87-87 7035 - Housing half-shell

1290574

<https://www.phoenixcontact.com/us/products/1290574>



## Drawings



Schematic representation – for additional information, see product range drawing in the Download Center

# UCS HH 87-87 7035 - Housing half-shell



1290574

<https://www.phoenixcontact.com/us/products/1290574>

## Approvals

To download certificates, visit the product detail page: <https://www.phoenixcontact.com/us/products/1290574>



**UL Recognized**

Approval ID: E240868

# UCS HH 87-87 7035 - Housing half-shell



1290574

<https://www.phoenixcontact.com/us/products/1290574>

## Classifications

### ECLASS

ECLASS-13.0	27190603
ECLASS-15.0	27190603

### ETIM

ETIM 10.0	EC002779
-----------	----------

### UNSPSC

UNSPSC 21.0	31261500
-------------	----------

# UCS HH 87-87 7035 - Housing half-shell



1290574

<https://www.phoenixcontact.com/us/products/1290574>

## Environmental product compliance

### EU RoHS

Fulfills EU RoHS substance requirements	Yes, No exemptions
---	--------------------

### China RoHS

Environment friendly use period (EFUP)	EFUP-E
	No hazardous substances above the limits

### EU REACH SVHC

REACH candidate substance (CAS No.)	Perfluorobutane sulfonic acid (PFBS) and its salts(CAS: n/a)
-------------------------------------	--

Phoenix Contact 2026 © - all rights reserved  
<https://www.phoenixcontact.com>

Phoenix Contact USA  
586 Fulling Mill Road  
Middletown, PA 17057, United States  
(+717) 944-1300  
[info@phoenixcon.com](mailto:info@phoenixcon.com)