

CHARX ET2C-1AC20-5,0MES00P - AC charging cable



1285683

<https://www.phoenixcontact.com/us/products/1285683>

Please be informed that the data shown in this PDF document is generated from our online catalog. Please find the complete data in the user documentation. Our general terms of use for downloads are valid.



CHARX connect eco, Type 2, AC charging cable, 20 A permanent, 250 V AC, with vehicle charging connector and open cable end, cable: 5 m, black, straight, with protective cap, PHOENIX CONTACT logo, IEC 62196-2, for charging electric vehicles (EV) with alternating current (AC)

Product description

AC charging cable with vehicle charging connector and free cable end for charging electric vehicles (EV) with alternating current (AC) via type 2 vehicle charging inlets, for installation at charging stations for e-mobility (EVSE)

Your advantages

- Complete product range
- Convenient handling due to the ergonomic, triple award-winning design
- Available with your logo on request - for consistent branding of your charging station
- Longitudinal water tightness reliably prevents water ingress
- Developed and produced in accordance with the IATF 16949 automotive standard and ISO 9001
- Tested in accordance with automotive standards LV124, LV214, and LV215-2
- Tested in accordance with EV Ready 37 requirements
- Laser-marked mating face in accordance with DIN EN 17186

Commercial data

Item number	1285683
Packing unit	6 pc
Minimum order quantity	120 pc
Product key	XWBDLA
GTIN	4063151493400
Weight per piece (including packing)	1,001 g
Weight per piece (excluding packing)	1,002 g
Country of origin	PL

Technical data

Product properties

Product type	AC charging cable
Product family	CHARX connect eco
Type	AC charging cable with vehicle charging connector and open cable end
Design	with protective cap
Charging standard	Type 2
Charging mode	Mode 3, Case C
Affixed logo	PHOENIX CONTACT logo
Customer variations	On request

Electrical properties

Charging power and current (AC charging, 1-phase)

Type of charging current	AC single-phase
Charging current	20 A AC (1-phase)
Charging power	5 kW (1-phase)
Operating voltage	typ. 230 V AC

Pin assignment (Power contacts)

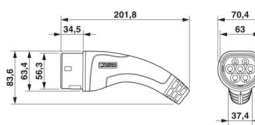
Note on the connection method	Crimp connection, cannot be disconnected
Number	3 (L1, N, PE)
Rated voltage	250 V AC
Rated current	20 A

Pin assignment (Signal contacts)

Note on the connection method	Crimp connection, cannot be disconnected
Type of signal transmission	Pulse width modulation
Number	2 (CP, PP)
Rated voltage	30 V AC
Rated current	2 A
Coding	680 Ω (between PE and PP)

Dimensions

Vehicle charging connector

Dimensional drawing	 <p>Vehicle connector</p>
Width	70.4 mm

CHARX ET2C-1AC20-5,0MES00P - AC charging cable



1285683

<https://www.phoenixcontact.com/us/products/1285683>

Height	82.3 mm
Depth	201.8 mm

Material specifications

Color (Housing)	black (9005)
Color (Handle area)	black (9005)
Color (Mating face)	black (9005)
Color (Protective cap)	black (9005)
Color (Cable)	black (9005)
Material (Vehicle charging connector)	Plastic
Material (Cable outer sheath)	TPE-U
Material (Contact surface)	Silver
Note	The color appearance and gloss level of the charging cable may vary.

Cable/line

Cable length	5 m
Wiring standards/regulations	prEN 50620/DIN EN 50620
Wiring certifications	VDE
Cable weight	max. 128.00 kg/km
Cable type	Class 5
Cable type	straight
Cable structure	3 x 1.5 mm ² + 1 x 0.5 mm ²
External cable diameter	9.60 mm ±0.3 mm
Outer sheath, material	TPE-U
Cable resistance	≤ 0.011324 Ω/m (based on a power core, at an ambient temperature of 20°C)
Bending radius	min. 76.8 mm (8x diameter)

Mechanical properties

Mechanical data

Insertion/withdrawal cycles	> 10000
Insertion force	< 100 N
Withdrawal force	< 100 N

Environmental and real-life conditions

Ambient conditions

Degree of protection (Vehicle charging connector)	IP44 (plugged in; when plugged in and ready to operate, the degree of protection is only ensued if both plug-in components are original products from Phoenix Contact or suitable standard-compliant products)
Degree of protection (Protective cap)	IP54
Ambient temperature (operation)	-40 °C ... 50 °C
Ambient temperature (storage/transport)	-40 °C ... 80 °C
Altitude	max. 5000 m (above sea level)

CHARX ET2C-1AC20-5,0MES00P - AC charging cable



1285683

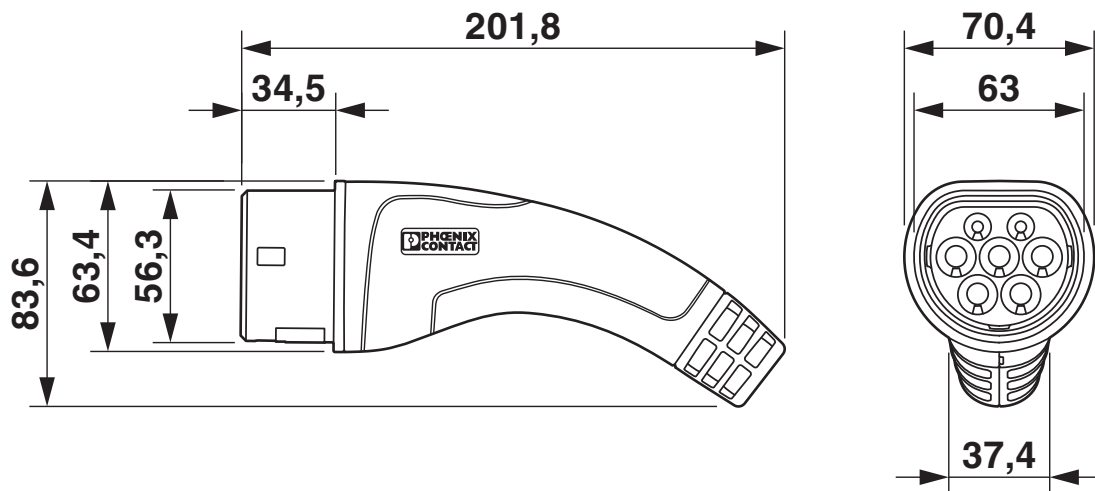
<https://www.phoenixcontact.com/us/products/1285683>

Standards and regulations

Standards/specifications	IEC 62196-2
Note	Compliant with AFIR - EU 2025/656

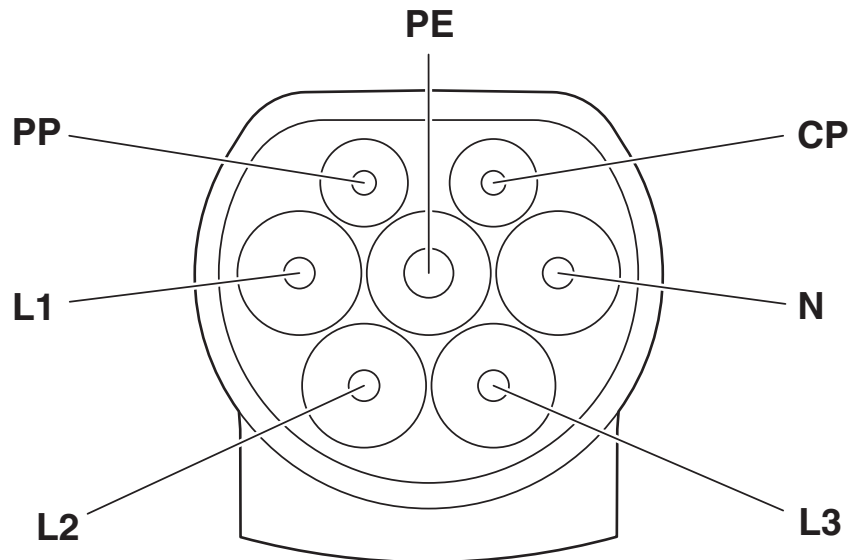
Drawings

Dimensional drawing



Vehicle connector

Connection diagram



Pin assignment of Infrastructure Plug

CHARX ET2C-1AC20-5,0MES00P - AC charging cable

1285683

<https://www.phoenixcontact.com/us/products/1285683>

Schematic diagram

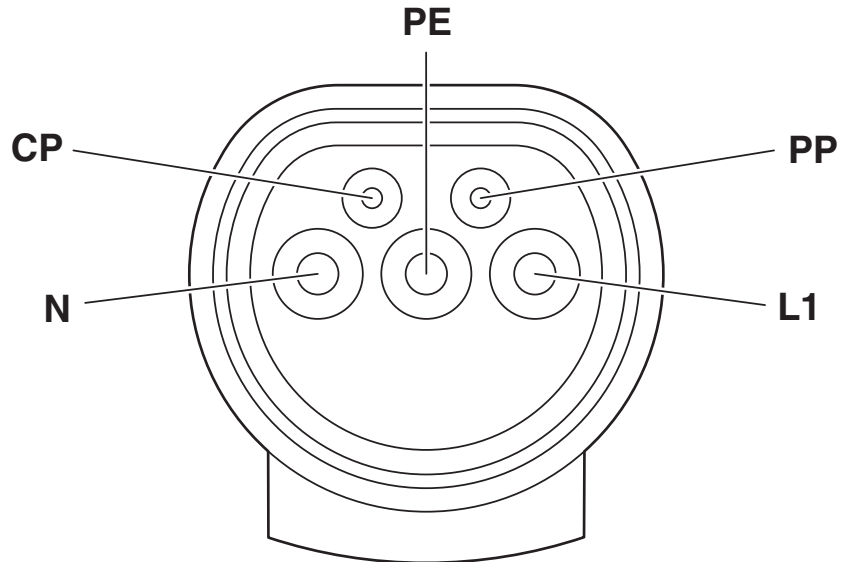


Operating instructions

1285683

<https://www.phoenixcontact.com/us/products/1285683>

Schematic diagram



Pin assignment of the Vehicle Connector

Schematic diagram



Terminology definition

CHARX ET2C-1AC20-5,0MES00P - AC charging cable




1285683

<https://www.phoenixcontact.com/us/products/1285683>

Approvals

To download certificates, visit the product detail page: <https://www.phoenixcontact.com/us/products/1285683>

 IECEE CB Scheme Approval ID: DE 3 - D0057				
	Nominal voltage U_N	Nominal current I_N	Cross section AWG	Cross section mm^2
keine				
	250 V	20 A	-	-

CHARX ET2C-1AC20-5,0MES00P - AC charging cable



1285683

<https://www.phoenixcontact.com/us/products/1285683>

Classifications

ECLASS

ECLASS-13.0	27144705
ECLASS-15.0	27144705

ETIM

ETIM 10.0	EC002897
-----------	----------

UNSPSC

UNSPSC 21.0	39121500
-------------	----------

1285683

<https://www.phoenixcontact.com/us/products/1285683>

Environmental product compliance

EU RoHS

Fulfills EU RoHS substance requirements	Yes
Exemption	6(c)

China RoHS

Environment friendly use period (EFUP)	EFUP-50
	An article-related China RoHS declaration table can be found in the download area for the respective article under "Manufacturer declaration". For all articles with EFUP-E, no China RoHS declaration table issued and required.

EU REACH SVHC

REACH candidate substance (CAS No.)	Lead(CAS: 7439-92-1)
SCIP	4f76aa6e-80db-46b1-9cd2-63663d15eee7

EF3.1 Climate Change

CO2e kg	29.24 kg CO2e
---------	---------------

Phoenix Contact 2026 © - all rights reserved
<https://www.phoenixcontact.com>

Phoenix Contact USA
586 Fulling Mill Road
Middletown, PA 17057, United States
(+717) 944-1300
info@phoenixcon.com