

CHARX ET2C-3AC32-5,0MES00P - AC charging cable



1285633

<https://www.phoenixcontact.com/us/products/1285633>

Please be informed that the data shown in this PDF document is generated from our online catalog. Please find the complete data in the user documentation. Our general terms of use for downloads are valid.



CHARX connect eco, Type 2, AC charging cable, 32 A permanent, 480 V AC, with vehicle charging connector and open cable end, cable: 5 m, black, straight, with protective cap, PHOENIX CONTACT logo, IEC 62196-2, for charging electric vehicles (EV) with alternating current (AC)

Product description

AC charging cable with vehicle charging connector and free cable end for charging electric vehicles (EV) with alternating current (AC) via type 2 vehicle charging inlets, for installation at charging stations for e-mobility (EVSE)

Your advantages

- Complete product range
- Convenient handling due to the ergonomic, triple award-winning design
- Available with your logo on request - for consistent branding of your charging station
- Longitudinal water tightness reliably prevents water ingress
- Developed and produced in accordance with the IATF 16949 automotive standard and ISO 9001
- Tested in accordance with automotive standards LV124, LV214, and LV215-2
- Tested in accordance with EV Ready 37 requirements
- Laser-marked mating face in accordance with DIN EN 17186

Commercial data

| | |
|--------------------------------------|---------------|
| Item number | 1285633 |
| Packing unit | 80 pc |
| Minimum order quantity | 80 pc |
| Product key | XWBDLD |
| GTIN | 4063151493103 |
| Weight per piece (including packing) | 2,279 g |
| Weight per piece (excluding packing) | 2,279 g |
| Country of origin | PL |

Technical data

Product properties

| | |
|---------------------|---|
| Product type | AC charging cable |
| Product family | CHARX connect eco |
| Type | AC charging cable with vehicle charging connector and open cable end |
| Design | with protective cap |
| Charging standard | Type 2 |
| Charging mode | Mode 3, Case C |
| Affixed logo | PHOENIX CONTACT logo |
| Customer variations | On request |

Electrical properties

Charging power and current (AC charging, 3-phase)

| | |
|--------------------------|-------------------|
| Type of charging current | AC 3-phase |
| Charging current | 32 A AC (3-phase) |
| Charging power | 26.6 kW (3-phase) |
| Operating voltage | typ. 400 V AC |

Pin assignment (Power contacts)

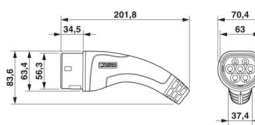
| | |
|-------------------------------|--|
| Note on the connection method | Crimp connection, cannot be disconnected |
| Number | 5 (L1, L2, L3, N, PE) |
| Rated voltage | 480 V AC |
| Rated current | 32 A |

Pin assignment (Signal contacts)

| | |
|-------------------------------|--|
| Note on the connection method | Crimp connection, cannot be disconnected |
| Type of signal transmission | Pulse width modulation |
| Number | 2 (CP, PP) |
| Rated voltage | 30 V AC |
| Rated current | 2 A |
| Coding | 220 Ω (between PE and PP) |

Dimensions

Vehicle charging connector

| | |
|---------------------|---|
| Dimensional drawing |  <p>Vehicle connector</p> |
| Width | 70.4 mm |

CHARX ET2C-3AC32-5,0MES00P - AC charging cable



1285633

<https://www.phoenixcontact.com/us/products/1285633>

| | |
|--------|----------|
| Height | 83.6 mm |
| Depth | 201.8 mm |

Material specifications

| | |
|---------------------------------------|--|
| Color (Housing) | black (9005) |
| Color (Handle area) | black (9005) |
| Color (Mating face) | black (9005) |
| Color (Protective cap) | black (9005) |
| Color (Cable) | black (9005) |
| Material (Vehicle charging connector) | Plastic |
| Material (Cable outer sheath) | TPE-U |
| Material (Contact surface) | Silver |
| Note | The color appearance and gloss level of the charging cable may vary. |

Cable/line

| | |
|------------------------------|--|
| Cable length | 5 m |
| Wiring standards/regulations | prEN 50620/DIN EN 50620 |
| Wiring certifications | VDE |
| Cable weight | max. 374.00 kg/km |
| Cable type | Class 5 |
| Cable type | straight |
| Cable structure | 5 x 4.0 mm ² + 1 x 0.5 mm ² |
| External cable diameter | 14.20 mm ±0.3 mm |
| Outer sheath, material | TPE-U |
| Cable resistance | ≤ 0.00425 Ω/m (based on a power core, at an ambient temperature of 20°C) |
| Bending radius | min. 113.6 mm (8x diameter) |

Mechanical properties

Mechanical data

| | |
|-----------------------------|---------|
| Insertion/withdrawal cycles | > 10000 |
| Insertion force | < 100 N |
| Withdrawal force | < 100 N |

Environmental and real-life conditions

Ambient conditions

| | |
|---|--|
| Degree of protection (Vehicle charging connector) | IP44 (plugged in; when plugged in and ready to operate, the degree of protection is only ensued if both plug-in components are original products from Phoenix Contact or suitable standard-compliant products) |
| Degree of protection (Protective cap) | IP54 |
| Ambient temperature (operation) | -40 °C ... 50 °C |
| Ambient temperature (storage/transport) | -40 °C ... 80 °C |
| Altitude | max. 5000 m (above sea level) |

CHARX ET2C-3AC32-5,0MES00P - AC charging cable



1285633

<https://www.phoenixcontact.com/us/products/1285633>

Standards and regulations

| | |
|--------------------------|-----------------------------------|
| Standards/specifications | IEC 62196-2 |
| Note | Compliant with AFIR - EU 2025/656 |

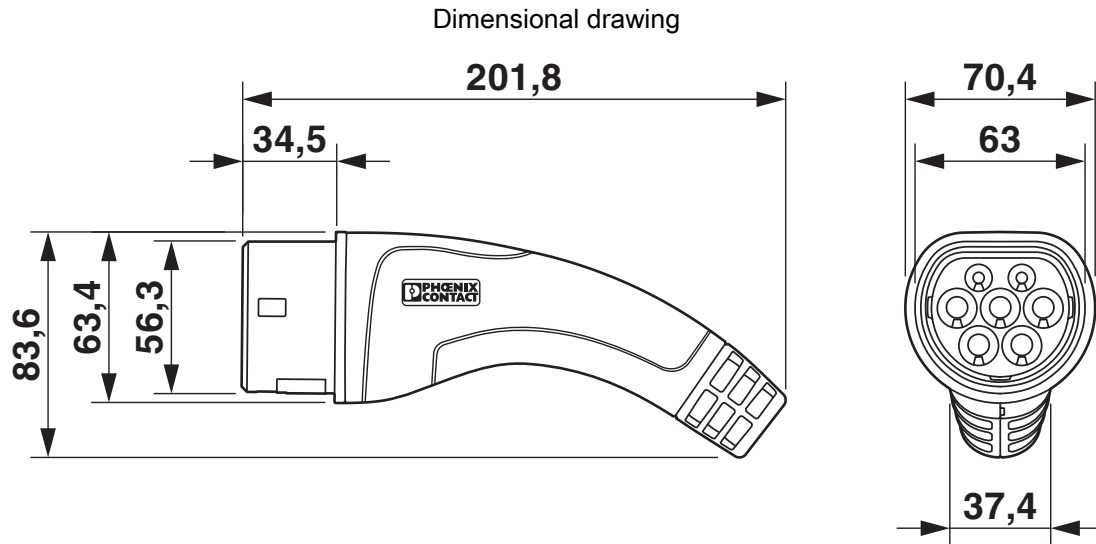
CHARX ET2C-3AC32-5,0MES00P - AC charging cable



1285633

<https://www.phoenixcontact.com/us/products/1285633>

Drawings



Vehicle connector

CHARX ET2C-3AC32-5,0MES00P - AC charging cable

1285633

<https://www.phoenixcontact.com/us/products/1285633>

Schematic diagram



Operating instructions

1285633

<https://www.phoenixcontact.com/us/products/1285633>

Schematic diagram



Pin assignment of the Vehicle Connector

Schematic diagram



Terminology definition

CHARX ET2C-3AC32-5,0MES00P - AC charging cable




1285633

<https://www.phoenixcontact.com/us/products/1285633>

Approvals

To download certificates, visit the product detail page: <https://www.phoenixcontact.com/us/products/1285633>

|  IECEE CB Scheme Approval ID: DE 3 - D0057 | | Nominal voltage U_N | Nominal current I_N | Cross section AWG | Cross section mm^2 |
|---|--|-----------------------|-----------------------|-------------------|-----------------------------|
| keine | | 480 V | 32 A | - | - |

CHARX ET2C-3AC32-5,0MES00P - AC charging cable



1285633

<https://www.phoenixcontact.com/us/products/1285633>

Classifications

ECLASS

| | |
|-------------|----------|
| ECLASS-13.0 | 27144705 |
| ECLASS-15.0 | 27144705 |

ETIM

| | |
|-----------|----------|
| ETIM 10.0 | EC002897 |
|-----------|----------|

UNSPSC

| | |
|-------------|----------|
| UNSPSC 21.0 | 39121500 |
|-------------|----------|

CHARX ET2C-3AC32-5,0MES00P - AC charging cable



1285633

<https://www.phoenixcontact.com/us/products/1285633>

Environmental product compliance

EU RoHS

| | |
|---|--------------------|
| Fulfills EU RoHS substance requirements | Yes, No exemptions |
|---|--------------------|

China RoHS

| | |
|--|--|
| Environment friendly use period (EFUP) | EFUP-E |
| | No hazardous substances above the limits |

EU REACH SVHC

| | |
|-------------------------------------|----------------------------|
| REACH candidate substance (CAS No.) | No substance above 0.1 wt% |
|-------------------------------------|----------------------------|

EF3.1 Climate Change

| | |
|---------|---------------|
| CO2e kg | 39.04 kg CO2e |
|---------|---------------|

Phoenix Contact 2026 © - all rights reserved
<https://www.phoenixcontact.com>

Phoenix Contact USA
586 Fulling Mill Road
Middletown, PA 17057, United States
(+717) 944-1300
info@phoenixcon.com