

# CHARX ET2CP-3AC32-5,0MES00P - AC charging cable



1285622

<https://www.phoenixcontact.com/us/products/1285622>

Please be informed that the data shown in this PDF document is generated from our online catalog. Please find the complete data in the user documentation. Our general terms of use for downloads are valid.



CHARX connect eco, Type 2, Mobile AC charging cable, 32 A permanent, 480 V AC, with vehicle charging connector and infrastructure charging plug, cable: 5 m, black, straight, with protective cap, PHOENIX CONTACT logo, IEC 62196-2, for charging electric vehicles (EV) with alternating current (AC), The protective cap included in the scope of delivery is plugged onto the vehicle charging connector for which protection is required by standard.

## Product description

Mobile AC charging cable with vehicle charging connector and infrastructure charging plug for charging electric vehicles (EV) with alternating current (AC) via type 2 vehicle charging inlets, compatible with type 2 infrastructure charging sockets at charging stations for e-mobility (EVSE)

## Your advantages

- Complete product range
- Convenient handling due to the ergonomic, triple award-winning design
- Available with your logo on request - for consistent branding of your charging station
- Longitudinal water tightness reliably prevents water ingress
- Developed and produced in accordance with the IATF 16949 automotive standard and ISO 9001
- Tested in accordance with automotive standards LV124, LV214, and LV215-2
- Tested in accordance with EV Ready 37 requirements
- Laser-marked mating face in accordance with DIN EN 17186

## Commercial data

|                                      |               |
|--------------------------------------|---------------|
| Item number                          | 1285622       |
| Packing unit                         | 4 pc          |
| Minimum order quantity               | 80 pc         |
| Product key                          | XWBELD        |
| GTIN                                 | 4063151492366 |
| Weight per piece (including packing) | 2,874 g       |
| Weight per piece (excluding packing) | 2,536.8 g     |
| Country of origin                    | PL            |

# CHARX ET2CP-3AC32-5,0MES00P - AC charging cable



1285622

<https://www.phoenixcontact.com/us/products/1285622>

## Technical data

### Product properties

|                     |  |
|---------------------|--|
| Product type        | AC charging cable  |
| Product family      | CHARX connect eco  |
| Type                | Mobile AC charging cable<br>with vehicle charging connector and infrastructure charging plug |
| Design              | with protective cap  |
| Charging standard   | Type 2   |
| Charging mode       | Mode 3, Case B   |
| Affixed logo        | PHOENIX CONTACT logo   |
| Customer variations | On request   |

### Electrical properties

#### Charging power and current (AC charging, 3-phase)

|                          |                   |
|--------------------------|-------------------|
| Type of charging current | AC 3-phase        |
| Charging current         | 32 A AC (3-phase) |
| Charging power           | 26.6 kW (3-phase) |
| Operating voltage        | typ. 400 V AC     |

#### Pin assignment (Power contacts)

|                               |  |
|-------------------------------|--|
| Note on the connection method | Crimp connection, cannot be disconnected |
| Number                        | 5 (L1, L2, L3, N, PE)                    |
| Rated voltage                 | 480 V AC                                 |
| Rated current                 | 32 A                                     |

#### Pin assignment (Signal contacts)

|                               |  |
|-------------------------------|--|
| Note on the connection method | Crimp connection, cannot be disconnected |
| Type of signal transmission   | Pulse width modulation                   |
| Number                        | 2 (CP, PP)                               |
| Rated voltage                 | 30 V AC                                  |
| Rated current                 | 2 A                                      |
| Coding                        | 220 $\Omega$ (between PE and PP)         |

### Dimensions

#### Infrastructure charging plug

|        |          |
|--------|----------|
| Width  | 57 mm    |
| Height | 77.5 mm  |
| Depth  | 193.3 mm |

#### Vehicle charging connector

# CHARX ET2CP-3AC32-5,0MES00P - AC charging cable



1285622

<https://www.phoenixcontact.com/us/products/1285622>

|                     |                       |
|---------------------|-----------------------|
| Dimensional drawing | <br>Vehicle connector |
| Width               | 70.4 mm               |
| Height              | 82.3 mm               |
| Depth               | 201.8 mm              |

## Material specifications

|                                       |  |
|---------------------------------------|--|
| Color (Housing)                       | black (9005)   |
| Color (Handle area)                   | black (9005)   |
| Color (Mating face)                   | black (9005)   |
| Color (Protective cap)                | black (9005)   |
| Color (Cable)                         | black (9005)   |
| Material (Vehicle charging connector) | Plastic  |
| Material (Cable outer sheath)         | TPE-U  |
| Material (Contact surface)            | Silver   |
| Note                                  | The color appearance and gloss level of the charging cable may vary. |

## Cable/line

|                              |  |
|------------------------------|--|
| Cable length                 | 5 m  |
| Wiring standards/regulations | prEN 50620/DIN EN 50620  |
| Wiring certifications        | VDE  |
| Cable weight                 | max. 374.00 kg/km  |
| Cable type                   | Class 5  |
| Cable type                   | straight   |
| Cable structure              | 5 x 4.0 mm <sup>2</sup> + 1 x 0.5 mm <sup>2</sup>                        |
| External cable diameter      | 14.20 mm ±0.3 mm   |
| Outer sheath, material       | TPE-U  |
| Cable resistance             | ≤ 0.00425 Ω/m (based on a power core, at an ambient temperature of 20°C) |
| Bending radius               | min. 113.6 mm (8x diameter)  |

## Mechanical properties

### Mechanical data

|                             |         |
|-----------------------------|---------|
| Insertion/withdrawal cycles | > 10000 |
| Insertion force             | < 100 N |
| Withdrawal force            | < 100 N |

## Environmental and real-life conditions

### Ambient conditions

# CHARX ET2CP-3AC32-5,0MES00P - AC charging cable



1285622

<https://www.phoenixcontact.com/us/products/1285622>

|   |  |
|---|--|
| Degree of protection (Vehicle charging connector)   | IP44 (plugged in; when plugged in and ready to operate, the degree of protection is only ensued if both plug-in components are original products from Phoenix Contact or suitable standard-compliant products) |
| Degree of protection (Infrastructure charging plug) | IP44 (plugged in; when plugged in and ready to operate, the degree of protection is only ensued if both plug-in components are original products from Phoenix Contact or suitable standard-compliant products) |
| Degree of protection (Protective cap)               | IP54   |
| Ambient temperature (operation)                     | -40 °C ... 50 °C   |
| Ambient temperature (storage/transport)             | -40 °C ... 80 °C   |
| Altitude  | max. 5000 m (above sea level)  |

## Standards and regulations

|                          |                                   |
|--------------------------|-----------------------------------|
| Standards/specifications | IEC 62196-2                       |
| Note                     | Compliant with AFIR - EU 2025/656 |

# CHARX ET2CP-3AC32-5,0MES00P - AC charging cable

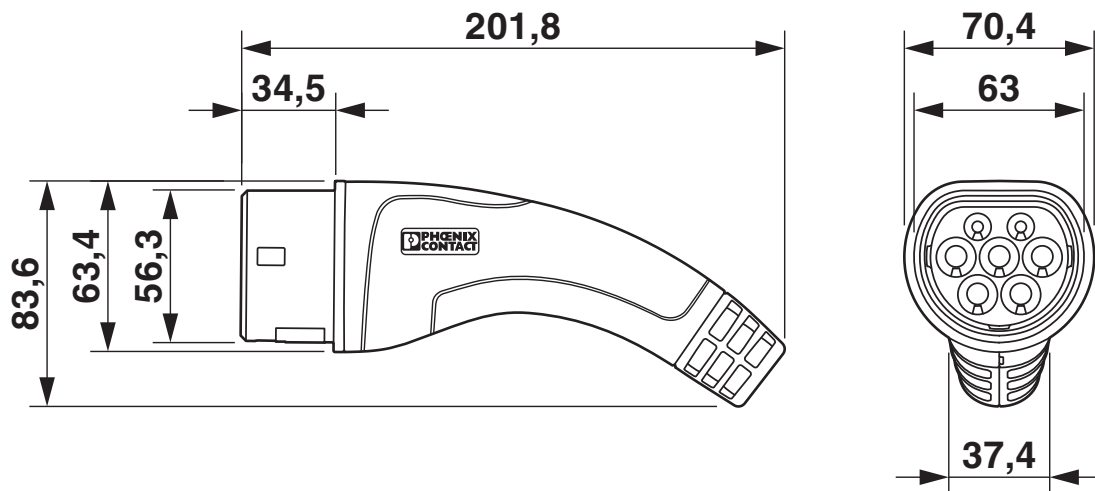


1285622

<https://www.phoenixcontact.com/us/products/1285622>

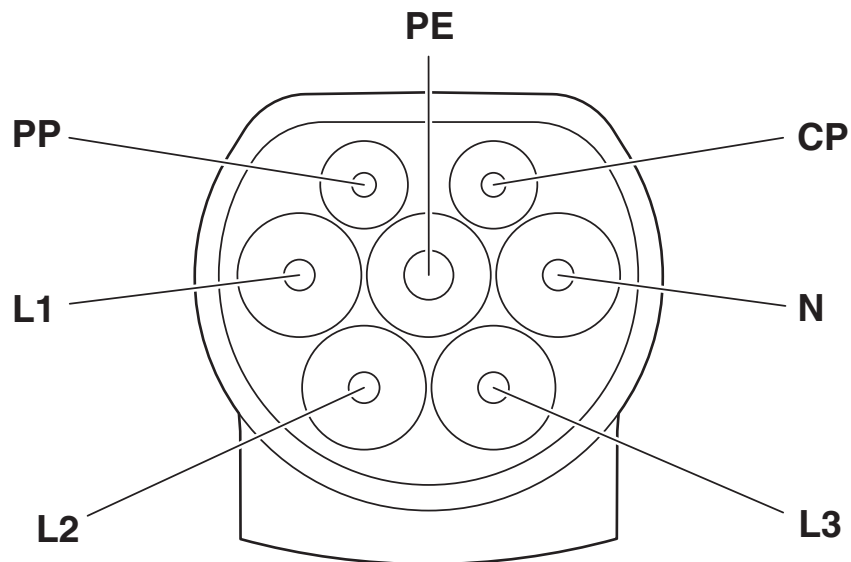
## Drawings

Dimensional drawing



Vehicle connector

Connection diagram



Pin assignment of Infrastructure Plug

# CHARX ET2CP-3AC32-5,0MES00P - AC charging cable

1285622

<https://www.phoenixcontact.com/us/products/1285622>

Schematic diagram



Operating instructions

# CHARX ET2CP-3AC32-5,0MES00P - AC charging cable

1285622

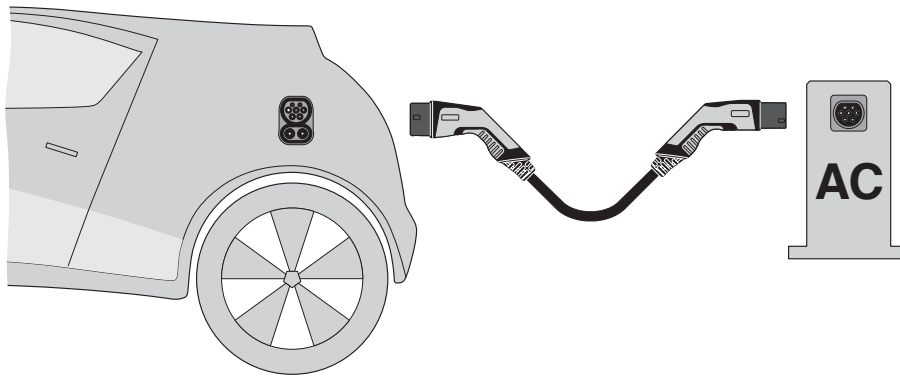
<https://www.phoenixcontact.com/us/products/1285622>

Schematic diagram



Pin assignment of the Vehicle Connector

Schematic diagram



Terminology definition

# CHARX ET2CP-3AC32-5,0MES00P - AC charging cable




1285622

<https://www.phoenixcontact.com/us/products/1285622>

## Approvals

To download certificates, visit the product detail page: <https://www.phoenixcontact.com/us/products/1285622>

|  <b>IECEE CB Scheme</b><br>Approval ID: DE 3 - D0057 |  | Nominal voltage $U_N$ | Nominal current $I_N$ | Cross section AWG | Cross section $\text{mm}^2$ |
|---|--|-----------------------|-----------------------|-------------------|-----------------------------|
| keine   |  |                       |                       |                   |                             |
|   |  | 480 V                 | 32 A                  | -                 | -                           |

# CHARX ET2CP-3AC32-5,0MES00P - AC charging cable



1285622

<https://www.phoenixcontact.com/us/products/1285622>

## Classifications

### ECLASS

|             |          |
|-------------|----------|
| ECLASS-13.0 | 27144705 |
| ECLASS-15.0 | 27144705 |

### ETIM

|           |          |
|-----------|----------|
| ETIM 10.0 | EC002897 |
|-----------|----------|

### UNSPSC

|             |          |
|-------------|----------|
| UNSPSC 21.0 | 39121500 |
|-------------|----------|

# CHARX ET2CP-3AC32-5,0MES00P - AC charging cable



1285622

<https://www.phoenixcontact.com/us/products/1285622>

## Environmental product compliance

### EU RoHS

|   |      |
|---|------|
| Fulfills EU RoHS substance requirements | Yes  |
| Exemption                               | 6(c) |

### China RoHS

|  |   |
|--|---|
| Environment friendly use period (EFUP) | EFUP-50   |
|  | An article-related China RoHS declaration table can be found in the download area for the respective article under "Manufacturer declaration". For all articles with EFUP-E, no China RoHS declaration table issued and required. |

### EU REACH SVHC

|                                     |                                      |
|-------------------------------------|--------------------------------------|
| REACH candidate substance (CAS No.) | Lead(CAS: 7439-92-1)                 |
| SCIP                                | b423f6cf-1159-4b1b-a5d9-0edfbdeb3a4a |

### EF3.1 Climate Change

|         |               |
|---------|---------------|
| CO2e kg | 41.53 kg CO2e |
|---------|---------------|

Phoenix Contact 2026 © - all rights reserved  
<https://www.phoenixcontact.com>

Phoenix Contact USA  
586 Fulling Mill Road  
Middletown, PA 17057, United States  
(+717) 944-1300  
[info@phoenixcon.com](mailto:info@phoenixcon.com)