

SAC-4P-M 8Y/2XM 8FS VP BK - Y distributor



1279341

<https://www.phoenixcontact.com/us/products/1279341>

Please be informed that the data shown in this PDF document is generated from our online catalog. Please find the complete data in the user documentation. Our general terms of use for downloads are valid.



Y distributor, 4-position, unshielded, Plug straight M8, coding: A, on Socket straight M8, coding: A and Socket straight M8, coding: A, Parallel distributor

As shown in the illustration but with a black handle

Commercial data

Item number	1279341
Packing unit	1 pc
Minimum order quantity	1 pc
Note	Made to order (non-returnable)
Sales key	BF10
Product key	AF1GAB
GTIN	4063151476274
Weight per piece (including packing)	9.3 g
Weight per piece (excluding packing)	9 g
Customs tariff number	85366990
Country of origin	PL

1279341

<https://www.phoenixcontact.com/us/products/1279341>

Technical data

Product properties

Product type	Y-distributor
Number of positions	4
No. of cable outlets	2
Shielded	no
Coding	A

Insulation characteristics

Overvoltage category	II
Degree of pollution	3

Electrical properties

Insulation resistance	≥ 10 GΩ
Nominal voltage U_N	30 V AC
	30 V DC
Nominal current I_N	4 A

Signaling

Status display	no
Status display present	no

Material specifications

Flammability rating according to UL 94	HB
Seal material	NBR
Material of grip body	TPU, hardly inflammable, self-extinguishing
Contact material	CuZn
Contact surface material	Ni/Au
Contact carrier material	TPU GF
Material for screw connection	Zinc die-cast, nickel-plated

Connector

Connection 1

Type	Plug straight M8
Coding type	A

Connection 2

Type	Socket straight M8
Coding type	A

Connection 3

Type	Socket straight M8
Coding type	A

SAC-4P-M 8Y/2XM 8FS VP BK - Y distributor



1279341

<https://www.phoenixcontact.com/us/products/1279341>

Mechanical properties

Mechanical data

Insertion/withdrawal cycles	≥ 100
-----------------------------	-------

Environmental and real-life conditions

Ambient conditions

Degree of protection	IP65
	IP67
Ambient temperature (operation) (male connector/female connector)	-25 °C ... 90 °C (Plug / socket)

Standards and regulations

Standard designation	M8 connector
Standards/specifications	IEC 61076-2-104
Standard designation	M8 connector
Standards/specifications	IEC 61076-2-104

SAC-4P-M 8Y/2XM 8FS VP BK - Y distributor

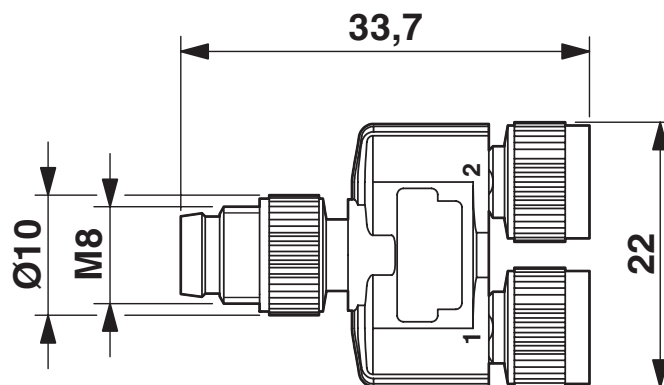
1279341

<https://www.phoenixcontact.com/us/products/1279341>



Drawings

Dimensional drawing



M8 Y distributor

Schematic diagram



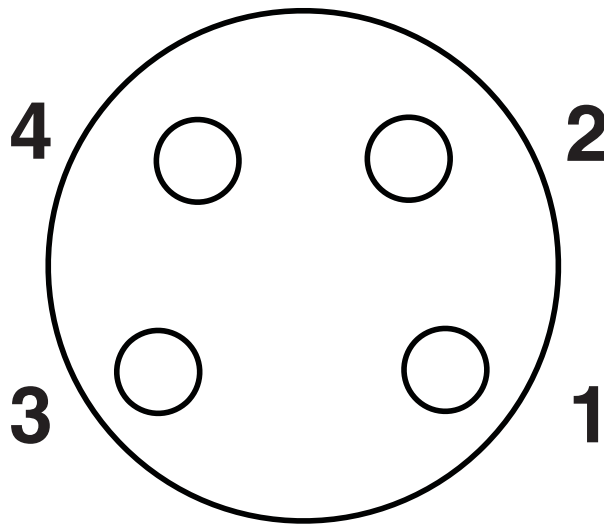
Pin assignment M8 plug, 4-pos., view male side

SAC-4P-M 8Y/2XM 8FS VP BK - Y distributor

1279341

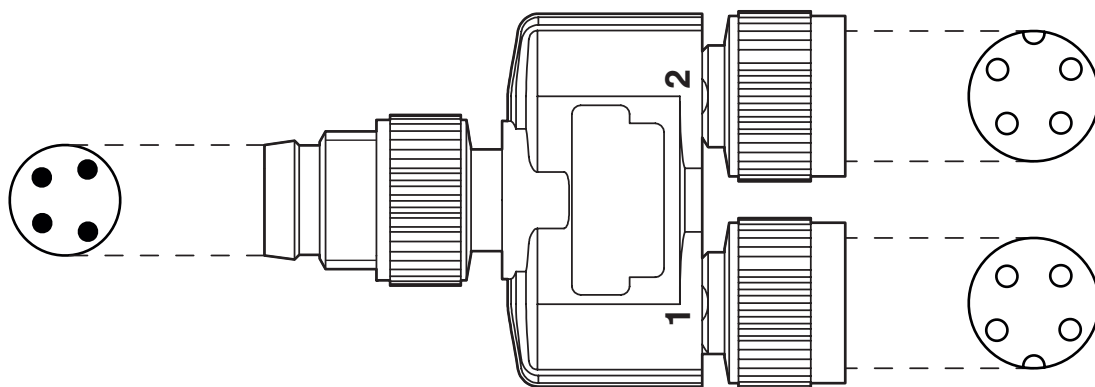
<https://www.phoenixcontact.com/us/products/1279341>

Schematic diagram



Pin assignment M8 socket, 4-pos., view female side

Schematic diagram



Layout of connector pin assignments

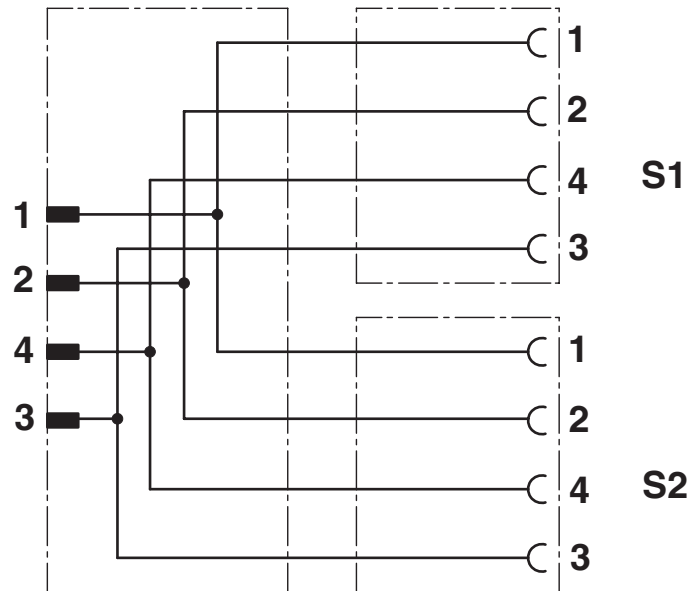
SAC-4P-M 8Y/2XM 8FS VP BK - Y distributor

1279341

<https://www.phoenixcontact.com/us/products/1279341>



Circuit diagram



Contact assignment of the M8 Y distributor

SAC-4P-M 8Y/2XM 8FS VP BK - Y distributor



1279341

<https://www.phoenixcontact.com/us/products/1279341>

Classifications

ECLASS

ECLASS-13.0	27440106
ECLASS-15.0	27440106

ETIM

ETIM 10.0	EC002925
-----------	----------

UNSPSC

UNSPSC 21.0	31251500
-------------	----------

SAC-4P-M 8Y/2XM 8FS VP BK - Y distributor



1279341

<https://www.phoenixcontact.com/us/products/1279341>

Environmental product compliance

EU RoHS

Fulfills EU RoHS substance requirements	Yes, No exemptions
---	--------------------

China RoHS

Environment friendly use period (EFUP)	EFUP-E
	No hazardous substances above the limits

EU REACH SVHC

REACH candidate substance (CAS No.)	No substance above 0.1 wt%
-------------------------------------	----------------------------

Phoenix Contact 2026 © - all rights reserved
<https://www.phoenixcontact.com>

Phoenix Contact USA
586 Fulling Mill Road
Middletown, PA 17057, United States
(+717) 944-1300
info@phoenixcon.com