

VFC-PT/D9SUB/M - Termination board



1278825

<https://www.phoenixcontact.com/us/products/1278825>

Please be informed that the data shown in this PDF document is generated from our online catalog. Please find the complete data in the user documentation. Our general terms of use for downloads are valid.

VARIOFACE Front Connect, 1:1 D-SUB termination board with Push-in front connections and D-SUB pin strip, number of positions: 9, overall width: 19 mm



Your advantages

- Fast, clear, and error-free wiring, thanks to Push-in terminal blocks with front connection technology
- Up to 60 % less space required in the control cabinet compared to conventional solutions due to the innovative design with an installation width of 19 mm
- Plug and Play connection to the remote IO and field level with the comprehensive system cabling range from Phoenix Contact
- Optimum support for your distributed I/O devices, thanks to high flexibility and the slim design
- Optically and haptically compatible with modern remote IO systems

Commercial data

Item number	1278825
Packing unit	1 pc
Minimum order quantity	1 pc
Sales key	C422
Product key	DK2172
GTIN	4063151476311
Weight per piece (including packing)	68.4 g
Weight per piece (excluding packing)	92 g
Customs tariff number	85366990
Country of origin	DE

VFC-PT/D9SUB/M - Termination board



1278825

<https://www.phoenixcontact.com/us/products/1278825>

Technical data

Product properties

Product type	Interface module
Product family	VARIOFACE Front Connect

Insulation characteristics: Air clearances and creepage distances

Insulation	Functional insulation
Overvoltage category	II
Pollution degree	2

Electrical properties

Operating voltage (AC)	≤ 30 V AC
Operating voltage (DC)	≤ 60 V DC
Current (per branch)	≤ 2 A

Air clearances and creepage distances

Rated insulation voltage	63 V
Rated surge voltage	0.8 kV (1.2/50 μs)

Connection data

Controller level

Connection in acc. with standard	IEC 60807-2
	DIN 41652
Connection method	D-SUB pin strip
Number of connections	1
Number of positions	9

Field level

Connection method	Push-in connection
Stripping length	10 mm
Number of positions	12
Conductor cross-section rigid	0.2 mm ² ... 1.5 mm ²
Conductor cross-section flexible	0.2 mm ² ... 2.5 mm ²
	0.25 mm ² ... 1.5 mm ² (Ferrule without plastic sleeve)
	0.25 mm ² ... 1.5 mm ² (Ferrule with plastic sleeve)
Conductor cross-section AWG	24 ... 16

Dimensions

Item dimensions

Width	18.9 mm
Height	127.2 mm
Depth	46.85 mm

VFC-PT/D9SUB/M - Termination board



1278825

<https://www.phoenixcontact.com/us/products/1278825>

Material specifications

Flammability rating according to UL 94	V0
----------------------------------------	----

Environmental and real-life conditions

Ambient conditions

Degree of protection	IP20
Degree of protection (Installation location)	IP54 (Installation location)
Ambient temperature (operation)	-40 °C ... 70 °C (≤ 2000 m) -40 °C ... 63 °C (2001 m - 3000 m)
Altitude	≤ 3000 m

Approvals

UL, USA/Canada

Identification	UL 61010-2-201
----------------	----------------

CSA, USA/Canada

Identification	CSA C22.2 NO. 61010-2-201
----------------	---------------------------

Standards and regulations

Air clearances and creepage distances

Standards/regulations	DIN EN 60664-1
-----------------------	----------------

Mounting

Mounting type	DIN rail mounting
Mounting position	any

Notes

Notes on operation	For proper use, the specifications of the installation directive (see Downloads) must be observed. For applications or use with third-party products, the specifications, and the safety and warning instructions of the respective third-party manufacturer must also be met.
--------------------	--------------------------------------------------------------------------------------------------------------------------------------------------------------------------------------------------------------------------------------------------------------------------------

VFC-PT/D9SUB/M - Termination board

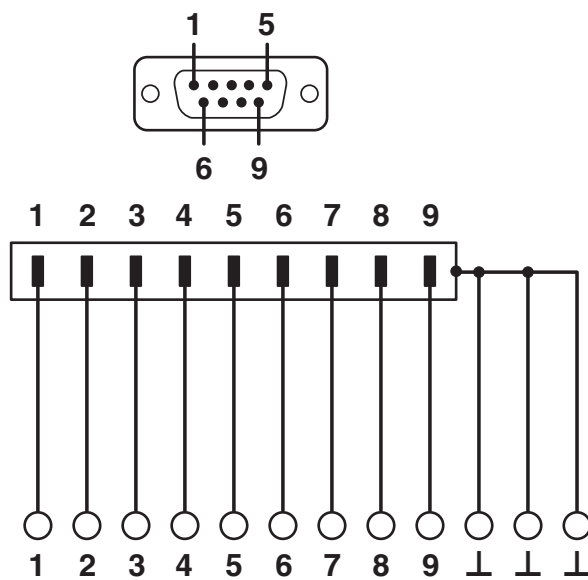
1278825

<https://www.phoenixcontact.com/us/products/1278825>



Drawings

Circuit diagram



VFC-PT/D9SUB/M - Termination board



1278825

<https://www.phoenixcontact.com/us/products/1278825>

Approvals

To download certificates, visit the product detail page: <https://www.phoenixcontact.com/us/products/1278825>



UL Listed

Approval ID: E238705



cUL Listed

Approval ID: E238705

VFC-PT/D9SUB/M - Termination board



1278825

<https://www.phoenixcontact.com/us/products/1278825>

Classifications

ECLASS

ECLASS-13.0	27141152
ECLASS-15.0	27141152

ETIM

ETIM 10.0	EC002780
-----------	----------

UNSPSC

UNSPSC 21.0	39121400
-------------	----------

VFC-PT/D9SUB/M - Termination board



1278825

<https://www.phoenixcontact.com/us/products/1278825>

Environmental product compliance

China RoHS

Environment friendly use period (EFUP)	EFUP-E
	No hazardous substances above the limits

EU REACH SVHC

REACH candidate substance (CAS No.)	No substance above 0.1 wt%
-------------------------------------	----------------------------

Phoenix Contact 2026 © - all rights reserved
<https://www.phoenixcontact.com>

Phoenix Contact USA
586 Fulling Mill Road
Middletown, PA 17057, United States
(+717) 944-1300
info@phoenixcon.com