

VFC-PT/D15SUB/F - Termination board



1278824

<https://www.phoenixcontact.com/us/products/1278824>

Please be informed that the data shown in this PDF document is generated from our online catalog. Please find the complete data in the user documentation. Our general terms of use for downloads are valid.

VARIOFACE Front Connect, 1:1 D-SUB termination board with Push-in front connections and D-SUB female strip, number of positions: 15, overall width: 19 mm



Your advantages

- Fast, clear, and error-free wiring, thanks to Push-in terminal blocks with front connection technology
- Up to 60 % less space required in the control cabinet compared to conventional solutions due to the innovative design with an installation width of 19 mm
- Plug and Play connection to the remote IO and field level with the comprehensive system cabling range from Phoenix Contact
- Optimum support for your distributed I/O devices, thanks to high flexibility and the slim design
- Optically and haptically compatible with modern remote IO systems

Commercial data

| | |
|--------------------------------------|---------------|
| Item number | 1278824 |
| Packing unit | 1 pc |
| Minimum order quantity | 1 pc |
| Sales key | C422 |
| Product key | DK2172 |
| GTIN | 4063151476618 |
| Weight per piece (including packing) | 73.6 g |
| Weight per piece (excluding packing) | 95 g |
| Customs tariff number | 85366990 |
| Country of origin | DE |

VFC-PT/D15SUB/F - Termination board



1278824

<https://www.phoenixcontact.com/us/products/1278824>

Technical data

Product properties

| | |
|----------------|-------------------------|
| Product type | Interface module |
| Product family | VARIOFACE Front Connect |

Insulation characteristics: Air clearances and creepage distances

| | |
|----------------------|-----------------------|
| Insulation | Functional insulation |
| Overvoltage category | II |
| Pollution degree | 2 |

Electrical properties

| | |
|------------------------|-----------|
| Operating voltage (AC) | ≤ 30 V AC |
| Operating voltage (DC) | ≤ 60 V DC |
| Current (per branch) | ≤ 2 A |

Air clearances and creepage distances

| | |
|--------------------------|--------------------|
| Rated insulation voltage | 63 V |
| Rated surge voltage | 0.8 kV (1.2/50 μs) |

Connection data

Controller level

| | |
|----------------------------------|--------------------|
| Connection in acc. with standard | IEC 60807-2 |
| | DIN 41652 |
| Connection method | D-SUB socket strip |
| Number of connections | 1 |
| Number of positions | 15 |

Field level

| | |
|----------------------------------|---|
| Connection method | Push-in connection |
| Stripping length | 10 mm |
| Number of positions | 16 |
| Conductor cross-section rigid | 0.2 mm ² ... 1.5 mm ² |
| Conductor cross-section flexible | 0.2 mm ² ... 2.5 mm ² |
| | 0.25 mm ² ... 1.5 mm ² (Ferrule without plastic sleeve) |
| | 0.25 mm ² ... 1.5 mm ² (Ferrule with plastic sleeve) |
| Conductor cross-section AWG | 24 ... 16 |

Dimensions

Item dimensions

| | |
|--------|----------|
| Width | 18.9 mm |
| Height | 127.2 mm |
| Depth | 46.85 mm |

1278824

<https://www.phoenixcontact.com/us/products/1278824>

Material specifications

| | |
|--|----|
| Flammability rating according to UL 94 | V0 |
|--|----|

Environmental and real-life conditions

Ambient conditions

| | |
|--|------------------------------------|
| Degree of protection | IP20 |
| Degree of protection (Installation location) | IP54 (Installation location) |
| Ambient temperature (operation) | -40 °C ... 70 °C (≤ 2000 m) |
| | -40 °C ... 63 °C (2001 m - 3000 m) |
| Altitude | ≤ 3000 m |

Approvals

UL, USA/Canada

| | |
|----------------|----------------|
| Identification | UL 61010-2-201 |
|----------------|----------------|

CSA, USA/Canada

| | |
|----------------|---------------------------|
| Identification | CSA C22.2 NO. 61010-2-201 |
|----------------|---------------------------|

Standards and regulations

Air clearances and creepage distances

| | |
|-----------------------|----------------|
| Standards/regulations | DIN EN 60664-1 |
|-----------------------|----------------|

Mounting

| | |
|-------------------|-------------------|
| Mounting type | DIN rail mounting |
| Mounting position | any |

Notes

| | |
|--------------------|--|
| Notes on operation | For proper use, the specifications of the installation directive (see Downloads) must be observed. For applications or use with third-party products, the specifications, and the safety and warning instructions of the respective third-party manufacturer must also be met. |
|--------------------|--|

VFC-PT/D15SUB/F - Termination board

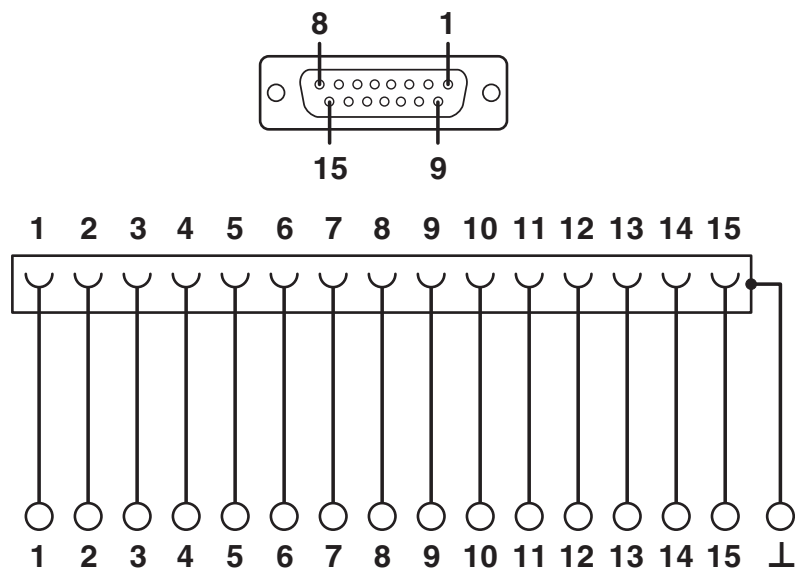
1278824

<https://www.phoenixcontact.com/us/products/1278824>



Drawings

Circuit diagram



VFC-PT/D15SUB/F - Termination board



1278824

<https://www.phoenixcontact.com/us/products/1278824>

Approvals

To download certificates, visit the product detail page: <https://www.phoenixcontact.com/us/products/1278824>



UL Listed

Approval ID: E238705



cUL Listed

Approval ID: E238705

VFC-PT/D15SUB/F - Termination board



1278824

<https://www.phoenixcontact.com/us/products/1278824>

Classifications

ECLASS

| | |
|-------------|----------|
| ECLASS-13.0 | 27141152 |
| ECLASS-15.0 | 27141152 |

ETIM

| | |
|-----------|----------|
| ETIM 10.0 | EC002780 |
|-----------|----------|

UNSPSC

| | |
|-------------|----------|
| UNSPSC 21.0 | 39121400 |
|-------------|----------|

VFC-PT/D15SUB/F - Termination board



1278824

<https://www.phoenixcontact.com/us/products/1278824>

Environmental product compliance

China RoHS

| | |
|--|--|
| Environment friendly use period (EFUP) | EFUP-E |
| | No hazardous substances above the limits |

EU REACH SVHC

| | |
|-------------------------------------|----------------------------|
| REACH candidate substance (CAS No.) | No substance above 0.1 wt% |
|-------------------------------------|----------------------------|

Phoenix Contact 2026 © - all rights reserved
<https://www.phoenixcontact.com>

Phoenix Contact USA
586 Fulling Mill Road
Middletown, PA 17057, United States
(+717) 944-1300
info@phoenixcon.com