

VFC-PT/FLK14/PLC - Termination board



1278798

<https://www.phoenixcontact.com/us/products/1278798>

Please be informed that the data shown in this PDF document is generated from our online catalog. Please find the complete data in the user documentation. Our general terms of use for downloads are valid.

VARIOFACE Front Connect, IDC/FLK termination board for the system cabling with Push-in front connections for 8 channels and additional positive and negative potential terminal blocks for 3-conductor initiator connection, number of positions: 14, overall width: 19 mm



Your advantages

- Fast, clear, and error-free wiring, thanks to Push-in terminal blocks with front connection technology
- Up to 60 % less space required in the control cabinet compared to conventional solutions due to the innovative design with an installation width of 19 mm
- Plug and Play connection to the remote IO and field level with the comprehensive system cabling range from Phoenix Contact
- Optimum support for your distributed I/O devices, thanks to high flexibility and the slim design
- Optically and haptically compatible with modern remote IO systems

Commercial data

Item number	1278798
Packing unit	1 pc
Minimum order quantity	1 pc
Sales key	C421
Product key	DK2171
GTIN	4063151475550
Weight per piece (including packing)	81 g
Weight per piece (excluding packing)	96 g
Customs tariff number	85366990
Country of origin	DE

VFC-PT/FLK14/PLC - Termination board



1278798

<https://www.phoenixcontact.com/us/products/1278798>

Technical data

Product properties

Product type	Interface module
Number of positions	14
No. of channels	8

Insulation characteristics: Air clearances and creepage distances

Insulation	Functional insulation
Overvoltage category	II
Pollution degree	2

Electrical properties

Operating voltage (AC)	≤ 30 V AC
Operating voltage (DC)	≤ 60 V DC
Current (per branch)	≤ 1 A

Air clearances and creepage distances

Rated insulation voltage	63 V
Rated surge voltage	0.8 kV (1.2/50 μs)

Supported controller: SIEMENS S7-1500

Suitable I/O card	6ES7521-1BH00-0AB0
	6ES7521-1BH10-0AA0
	6ES7521-1BH50-0AA0
	6ES7521-1BL00-0AB0
	6ES7521-1BL10-0AA0
	6ES7522-1BH00-0AB0
	6ES7522-1BH01-0AB0
	6ES7522-1BL00-0AB0
	6ES7522-1BL01-0AB0
	6ES7522-1BL10-0AA0
	6ES7523-1BL00-0AA0

Supported controller: ALLEN-BRADLEY ControlLogix

Suitable I/O card	1756-IB32
	1756-OB32
	1756-IN16
	1756-IB16
	1756-IC16
	1756-OB16E

Supported controller: ALLEN-BRADLEY PLC 5

Suitable I/O card	1771 IBN
	1771 OBN

VFC-PT/FLK14/PLC - Termination board



1278798

<https://www.phoenixcontact.com/us/products/1278798>

Supported controller: ALLEN-BRADLEY SLC 500

Suitable I/O card	1746 OB 32
	1746 OV 32
	1746 IB 32
	1746 IV 32

Supported controller: GE-FANUC RX3i

Suitable I/O card	IC694MDL754
	IC694MDL660

Supported controller: HONEYWELL Experion PKS C200

Suitable I/O card	TC-IDD 321
	TC-ODD 321

Supported controller: MITSUBISHI MELSEC Q

Suitable I/O card	QX81
	QY81P
	QX41
	QX41-S1
	QX42
	QX42-S1
	QX71
	QX72
	QY41P
	QY42P
	QY71
	QH42P
	QX82
	QX82-S1
	QY82P

Supported controller: MITSUBISHI MELSEC L

Suitable I/O card	LX41C4
	LX42C4
	LY41NT1P
	LY42NT1P
	LY41PT1P
	LY42PT1P

Supported controller: SCHNEIDER ELECTRIC Modicon TSX QUANTUM

Suitable I/O card	DDI 353
	DDI 853
	DAI 453
	DDO 353

Supported controller: SIEMENS ET 200SP

VFC-PT/FLK14/PLC - Termination board



1278798

<https://www.phoenixcontact.com/us/products/1278798>

Suitable I/O module	6ES7131-6BH01-0BA0 (Base Units A0/A1)
	6ES7131-6BH01-2BA0 (Base Units A0/A1)
	6ES7132-6BH01-0BA0 (Base Units A0/A1)
	6ES7132-6BH01-2BA0 (Base Units A0/A1)

Connection data

Controller level

Connection in acc. with standard	IEC 60603-13
	DIN 41651
Connection method	IDC/FLK pin strip
Number of connections	1
Number of positions	14

Field level

Connection method	Push-in connection
Stripping length	10 mm
Number of positions	28
Conductor cross-section rigid	0.2 mm ² ... 1.5 mm ²
Conductor cross-section flexible	0.2 mm ² ... 2.5 mm ²
	0.25 mm ² ... 1.5 mm ² (Ferrule without plastic sleeve)
	0.25 mm ² ... 1.5 mm ² (Ferrule with plastic sleeve)
Conductor cross-section AWG	24 ... 16

Signaling

Status display	no
Status display present	no

Dimensions

Item dimensions

Width	18.9 mm
Height	127.2 mm
Depth	55 mm

Material specifications

Flammability rating according to UL 94	V0
--	----

Environmental and real-life conditions

Ambient conditions

Degree of protection	IP20
Degree of protection (Installation location)	IP54 (Installation location)
Ambient temperature (operation)	-40 °C ... 70 °C (≤ 2000 m)
	-40 °C ... 63 °C (2001 m - 3000 m)
Altitude	≤ 3000 m

VFC-PT/FLK14/PLC - Termination board



1278798

<https://www.phoenixcontact.com/us/products/1278798>

Approvals

UL, USA/Canada

Identification	UL 61010-2-201
----------------	----------------

CSA, USA/Canada

Identification	CSA C22.2 NO. 61010-2-201
----------------	---------------------------

Standards and regulations

Air clearances and creepage distances

Standards/regulations	DIN EN 60664-1
-----------------------	----------------

Mounting

Mounting type	DIN rail mounting
Mounting position	any

Notes

Notes on operation	For proper use, the specifications of the installation directive (see Downloads) must be observed. For applications or use with third-party products, the specifications, and the safety and warning instructions of the respective third-party manufacturer must also be met.
--------------------	--

VFC-PT/FLK14/PLC - Termination board

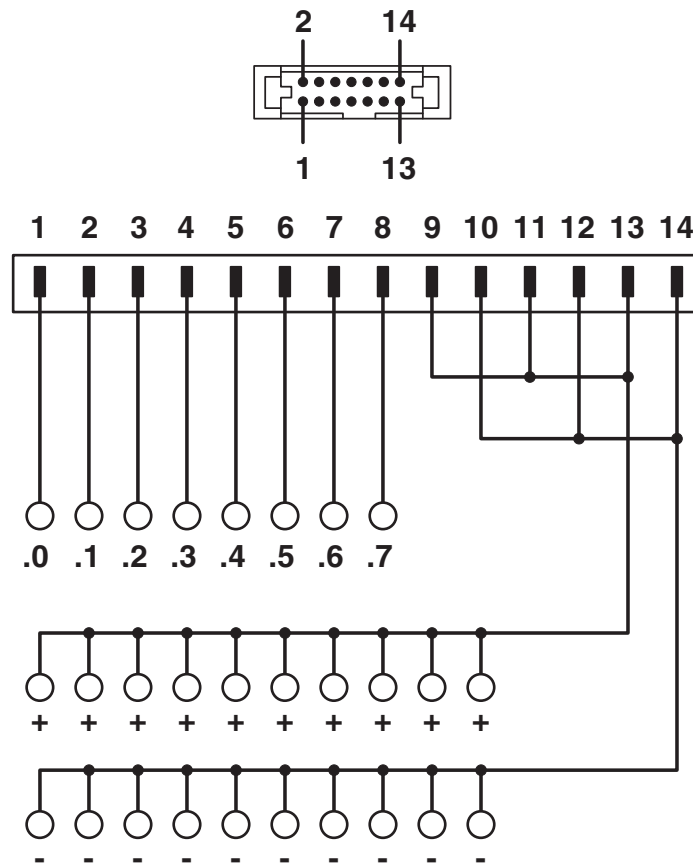
1278798

<https://www.phoenixcontact.com/us/products/1278798>



Drawings

Circuit diagram



VFC-PT/FLK14/PLC - Termination board



1278798

<https://www.phoenixcontact.com/us/products/1278798>

Approvals

To download certificates, visit the product detail page: <https://www.phoenixcontact.com/us/products/1278798>



UL Listed

Approval ID: E238705



cUL Listed

Approval ID: E238705

VFC-PT/FLK14/PLC - Termination board



1278798

<https://www.phoenixcontact.com/us/products/1278798>

Classifications

ECLASS

ECLASS-13.0	27141152
ECLASS-15.0	27141152

ETIM

ETIM 10.0	EC002780
-----------	----------

UNSPSC

UNSPSC 21.0	39121400
-------------	----------

VFC-PT/FLK14/PLC - Termination board



1278798

<https://www.phoenixcontact.com/us/products/1278798>

Environmental product compliance

China RoHS

Environment friendly use period (EFUP)	EFUP-E
	No hazardous substances above the limits

EU REACH SVHC

REACH candidate substance (CAS No.)	No substance above 0.1 wt%
-------------------------------------	----------------------------

Phoenix Contact 2026 © - all rights reserved
<https://www.phoenixcontact.com>

Phoenix Contact USA
586 Fulling Mill Road
Middletown, PA 17057, United States
(+717) 944-1300
info@phoenixcon.com