

NBC-M12MSY/1,0-94H/M12MSY - Hybrid cable



1275330

<https://www.phoenixcontact.com/us/products/1275330>

Please be informed that the data shown in this PDF document is generated from our online catalog. Please find the complete data in the user documentation. Our general terms of use for downloads are valid.



Hybrid cable, Ethernet hybrid CAT5 (100 Mbps), 8-position, PUR halogen-free, black RAL 9005, shielded (Advanced Shielding Technology), Plug straight M12, coding: Y / IP65/IP67, on Plug straight M12, coding: Y / IP65/IP67, cable length: 1 m, Power with Ethernet (PWE)

Commercial data

| | |
|--------------------------------------|---------------|
| Item number | 1275330 |
| Packing unit | 1 pc |
| Minimum order quantity | 1 pc |
| Sales key | BF04 |
| Product key | AF1CMJ |
| GTIN | 4063151467753 |
| Weight per piece (including packing) | 166.5 g |
| Weight per piece (excluding packing) | 167.6 g |
| Customs tariff number | 85444290 |
| Country of origin | PL |

1275330

<https://www.phoenixcontact.com/us/products/1275330>

Technical data

Product properties

| | |
|----------------------|-------------------------|
| Product type | Data cable preassembled |
| Application | Standard |
| Number of positions | 8 |
| No. of cable outlets | 1 |
| Shielded | yes |
| Coding | Y |

Interfaces

| | |
|----------------------|--|
| Bus system | Ethernet |
| Signal type/category | Ethernet hybrid CAT5 (IEC 11801), 100 Mbps |

Signaling

| | |
|------------------------|----|
| Status display | no |
| Status display present | no |

Electrical properties

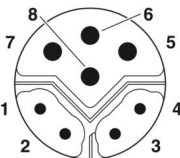
| | |
|-----------------------|--------------------------|
| Nominal voltage U_N | 48 V AC (Power and data) |
| | 50 V DC (Power and data) |
| Nominal current I_N | 6 A (Power) |
| | 0.5 A (Data) |
| Transmission medium | Copper |
| Transmission speed | 100 Mbps |

Material specifications

| | |
|--|----|
| Flammability rating according to UL 94 | V0 |
|--|----|

Connector

Connection 1

| | |
|----------------------|--|
| Dimensional drawing |  <p>M12 hybrid plug pin assignment, 8-pos., Y-coded, pin side view</p> |
| Type | M12 Plug, straight, 8-position, shielded (Advanced Shielding Technology), Keying: Y |
| Number of positions | 8 |
| Shielded | yes |
| Shielding | Advanced Shielding Technology |
| Signal type/category | EtherCAT® CAT5 (IEC 11801), 100 Mbps |

NBC-M12MSY/1,0-94H/M12MSY - Hybrid cable



1275330

<https://www.phoenixcontact.com/us/products/1275330>

| | |
|--|---|
| | PROFINET CAT5 (IEC 11801), 100 Mbps |
| Insertion/withdrawal cycles | ≥ 100 |
| Insulation resistance | ≥ 100 MΩ |
| Overvoltage category | III |
| Degree of pollution | 3 |
| Tightening torque | 0.4 Nm |
| Material Contact | CuZn |
| Material Contact surface | Ni/Au |
| Material Contact carrier | PA 6.6 |
| Material Screw connection | Die-cast zinc, nickel-plated |
| Material Grip body | TPU, hardly inflammable, self-extinguishing |
| Material Seal | FKM |
| Flammability rating according to UL 94 | V0 |
| Degree of protection | IP65 IP67 |
| Ambient temperature (operation) | -25 °C ... 85 °C |
| Standard designation | M12 connector |
| Standards/regulations | IEC 61076-2-113 |

Connection 2

| | |
|-----------------------------|---|
| Dimensional drawing | <p>M12 hybrid plug pin assignment, 8-pos., Y-coded, pin side view</p> |
| Type | M12 Plug, straight, 8-position, shielded (Advanced Shielding Technology), Keying: Y |
| Number of positions | 8 |
| Shielded | yes |
| Shielding | Advanced Shielding Technology |
| Signal type/category | EtherCAT® CAT5 (IEC 11801), 100 Mbps PROFINET CAT5 (IEC 11801), 100 Mbps |
| Insertion/withdrawal cycles | ≥ 100 |
| Insulation resistance | ≥ 100 MΩ |
| Overvoltage category | III |
| Degree of pollution | 3 |
| Tightening torque | 0.4 Nm |
| Material Contact | CuZn |
| Material Contact surface | Ni/Au |
| Material Contact carrier | PA 6.6 |
| Material Screw connection | Die-cast zinc, nickel-plated |
| Material Grip body | TPU, hardly inflammable, self-extinguishing |
| Material Seal | FKM |

NBC-M12MSY/1,0-94H/M12MSY - Hybrid cable



1275330

<https://www.phoenixcontact.com/us/products/1275330>

| | |
|--|------------------|
| Flammability rating according to UL 94 | V0 |
| Degree of protection | IP65 |
| | IP67 |
| Ambient temperature (operation) | -25 °C ... 85 °C |
| Standard designation | M12 connector |
| Standards/regulations | IEC 61076-2-113 |

Cable/line

| | |
|--------------|-----|
| Cable length | 1 m |
|--------------|-----|

Ethernet hybrid [94H]

| | |
|--------------------------------|---|
| Dimensional drawing |  |
| UL AWM Style | 20233 (80°C/300 V) |
| Number of positions | 8 |
| Shielded | yes |
| Cable type | Ethernet hybrid [94H] |
| Conductor structure | 1x4x AWG 26+1x4x AWG 18 |
| AWG signal line | 26 |
| AWG power supply | 18 |
| Conductor cross-section | 4x 0.15 mm ² (Data) |
| | 4x 0.85 mm ² (Power) |
| Wire diameter incl. insulation | 1.03 mm ±0.02 mm (Data) |
| | 1.6 mm ±0.1 mm (Power) |
| External cable diameter | 8.80 mm ±0.2 mm |
| Outer sheath, material | PUR |
| External sheath, color | black RAL 9005 |
| Conductor material | Bare Cu litz wires |
| Material wire insulation | PP (Data) |
| | PP (Power) |
| Single wire, color | white/orange, orange, white/green, green, white, blue, brown, black |
| Overall twist | 1 star quad and 4 wires with 2 fillers |
| Optical shield covering | 85 % |
| Insulation resistance | ≥ 5 GΩ*km |
| Loop resistance | ≤ 280.00 Ω/km (Data) |
| | ≤ 45.00 Ω/km (Power) |
| Wave impedance | 100 Ω ±5 Ω (at 100 MHz) |

NBC-M12MSY/1,0-94H/M12MSY - Hybrid cable



1275330

<https://www.phoenixcontact.com/us/products/1275330>

| | |
|---|---|
| Differential impedance | 100 Ω ±5 % (at 100 MHz) |
| Nominal voltage, cable | ≤ 125 V (Peak value, not for high-power applications) |
| Test voltage Core/Core | 2000 V (50 Hz, 1 min.) |
| Test voltage Core/Shield | 2000.00 V (50 Hz, 1 min.) |
| Minimum bending radius, fixed installation | 4 x D |
| Minimum bending radius, flexible installation | 8 x D |
| Dynamic load capacity (bending) | Max. bending cycles: 2000000, Bending radius: 15 x D, Traversing path: 4.5 m, Traversing rate: 3 m/s, Acceleration: 3 m/s ² , Ambient temperature: -20 °C ... 60 °C |
| Shield attenuation | ≥ 80.00 dB (30 MHz ... 100 MHz) |
| Halogen-free | according to IEC 60754-1 |
| Flame resistance | UL 1581, Section 1060 and UL 2556, Section 9.3 (FT1) IEC 60332-1-2 |
| Resistance to oil | in accordance with IEC 60811-404 According to DIN EN 50363-10-2 |
| Ambient temperature (operation) | -40 °C ... 80 °C (cable, fixed installation) -30 °C ... 70 °C (Cable, flexible installation) -20 °C ... 60 °C (for installation) -20 °C ... 60 °C (cable, drag chain applications) |

Environmental and real-life conditions

Ambient conditions

| | |
|----------------------|-----------|
| Degree of protection | IP65 |
| | IP67 |
| | IP65/IP67 |

Standards and regulations

| | |
|--------------------------|-----------------|
| Standard designation | M12 connector |
| Standards/specifications | IEC 61076-2-113 |

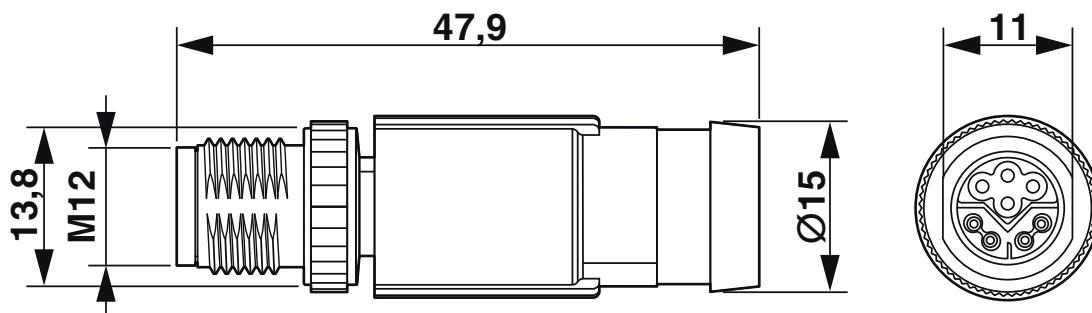
NBC-M12MSY/1,0-94H/M12MSY - Hybrid cable

1275330

<https://www.phoenixcontact.com/us/products/1275330>

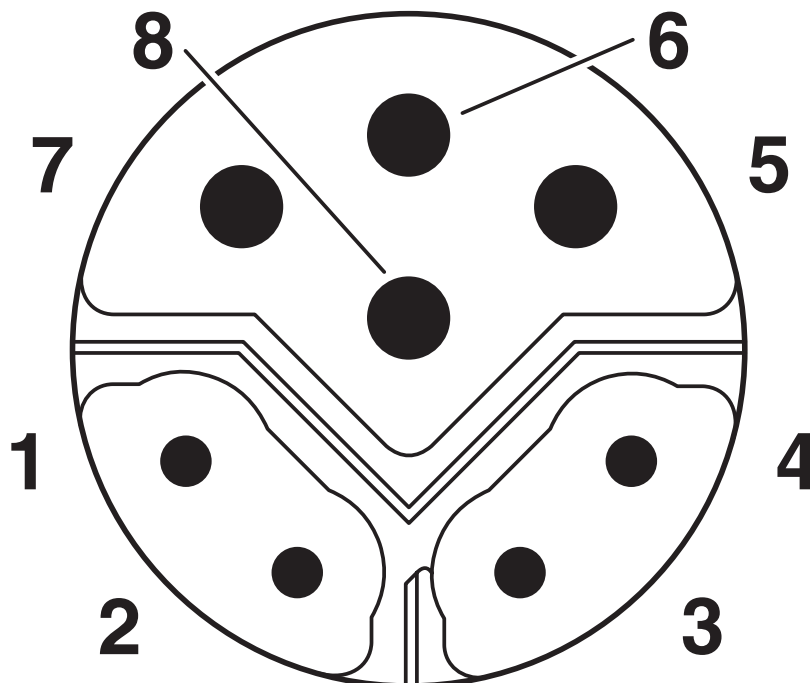
Drawings

Dimensional drawing



Plug, M12 x 1, straight, shielded

Schematic diagram



M12 hybrid plug pin assignment, 8-pos., Y-coded, pin side view

NBC-M12MSY/1,0-94H/M12MSY - Hybrid cable

1275330

<https://www.phoenixcontact.com/us/products/1275330>

Circuit diagram



Contact assignment of the M12 plugs

NBC-M12MSY/1,0-94H/M12MSY - Hybrid cable



1275330


<https://www.phoenixcontact.com/us/products/1275330>

Approvals

To download certificates, visit the product detail page: <https://www.phoenixcontact.com/us/products/1275330>

|  UL Listed Approval ID: FILE E 335024 | | | | |
|--|-----------------------|-----------------------|-------------------|----------------------|
| | Nominal voltage U_N | Nominal current I_N | Cross section AWG | Cross section mm^2 |
| keine | | | | |
| | 56.5 V | 0.175 A | - | - |

|  cUL Listed Approval ID: FILE E 335024 | | | | |
|---|-----------------------|-----------------------|-------------------|----------------------|
| | Nominal voltage U_N | Nominal current I_N | Cross section AWG | Cross section mm^2 |
| keine | | | | |
| | 56.5 V | 0.175 A | - | - |

|  cUL Listed Approval ID: E221474 | | | | |
|---|-----------------------|-----------------------|-------------------|----------------------|
| | Nominal voltage U_N | Nominal current I_N | Cross section AWG | Cross section mm^2 |
| keine | | | | |
| Power | 30 V | 6 A | - | - |
| Data | 42 V | 0.5 A | - | - |

|  UL Listed Approval ID: E221474 | | | | |
|--|-----------------------|-----------------------|-------------------|----------------------|
| | Nominal voltage U_N | Nominal current I_N | Cross section AWG | Cross section mm^2 |
| keine | | | | |
| Power | 30 V | 6 A | - | - |
| Data | 42 V | 0.5 A | - | - |

NBC-M12MSY/1,0-94H/M12MSY - Hybrid cable



1275330

<https://www.phoenixcontact.com/us/products/1275330>

Classifications

ECLASS

| | |
|-------------|----------|
| ECLASS-13.0 | 27060307 |
| ECLASS-15.0 | 27060307 |

UNSPSC

| | |
|-------------|----------|
| UNSPSC 21.0 | 26121600 |
|-------------|----------|

NBC-M12MSY/1,0-94H/M12MSY - Hybrid cable



1275330

<https://www.phoenixcontact.com/us/products/1275330>

Environmental product compliance

EU RoHS

| | |
|---|--------------------|
| Fulfills EU RoHS substance requirements | Yes, No exemptions |
|---|--------------------|

China RoHS

| | |
|--|--|
| Environment friendly use period (EFUP) | EFUP-E |
| | No hazardous substances above the limits |

EU REACH SVHC

| | |
|-------------------------------------|----------------------------|
| REACH candidate substance (CAS No.) | No substance above 0.1 wt% |
|-------------------------------------|----------------------------|

EF3.1 Climate Change

| | |
|---------|---------------|
| CO2e kg | 4.073 kg CO2e |
|---------|---------------|

Phoenix Contact 2026 © - all rights reserved
<https://www.phoenixcontact.com>

Phoenix Contact USA
586 Fulling Mill Road
Middletown, PA 17057, United States
(+717) 944-1300
info@phoenixcon.com