

# CK4,0-ED-10,00M AG - Crimp contact



1274091

<https://www.phoenixcontact.com/us/products/1274091>

Please be informed that the data shown in this PDF document is generated from our online catalog. Please find the complete data in the user documentation. Our general terms of use for downloads are valid.



Crimp contact, series: HC-M-02, Pin, turned

## Commercial data

Item number	1274091
Packing unit	25 pc
Minimum order quantity	25 pc
Sales key	BF65
Product key	AF7AIE
GTIN	4063151466701
Weight per piece (including packing)	3.124 g
Weight per piece (excluding packing)	3.124 g
Customs tariff number	85366990
Country of origin	DE

# CK4,0-ED-10,00M AG - Crimp contact



1274091

<https://www.phoenixcontact.com/us/products/1274091>

## Technical data

### Notes

General	for HC-M-02, HC-M-03, HC-M-03/04, HC-M-04, HC-Q02, HC-Q03, HC-Q04, and HC-COM-Q4/2 contact carriers
---------	---

### Product properties

Product type	Crimp contact
Series	HC-M-02
	HC-M-03
	HC-M-03/04
	HC-M-04
	HC-K
	HC-HS
	HC-COM
	HC-Q
Contact material type	turned

### Connection data

#### Connection technology

Contact connection type	Pin
-------------------------	-----

### Mechanical properties

#### Mechanical data

Insertion/withdrawal cycles	≥ 500
-----------------------------	-------

### Environmental and real-life conditions

#### Ambient conditions

Ambient temperature (operation)	-40 °C ... 125 °C
---------------------------------	-------------------

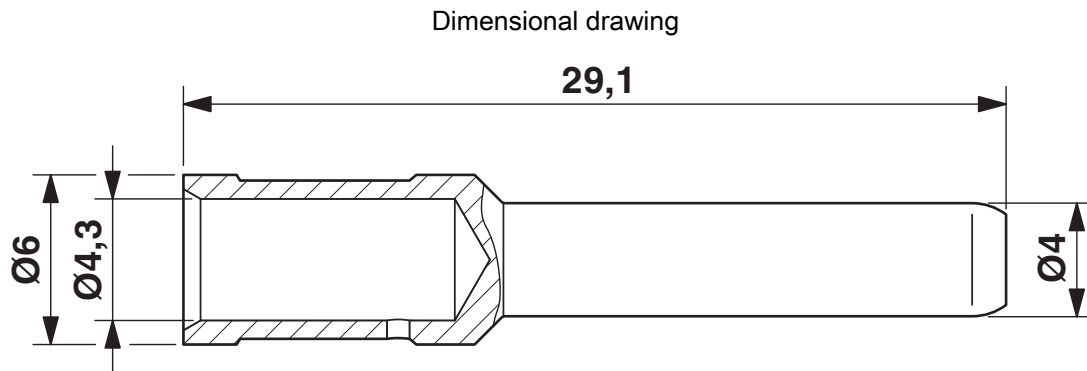
# CK4,0-ED-10,00M AG - Crimp contact



1274091

<https://www.phoenixcontact.com/us/products/1274091>

## Drawings



Dimensional drawing

# CK4,0-ED-10,00M AG - Crimp contact



1274091

<https://www.phoenixcontact.com/us/products/1274091>

## Classifications

### ECLASS

ECLASS-13.0	27440204
ECLASS-15.0	27440204

### ETIM

ETIM 9.0	EC000796
----------	----------

### UNSPSC

UNSPSC 21.0	39121500
-------------	----------

# CK4,0-ED-10,00M AG - Crimp contact



1274091

<https://www.phoenixcontact.com/us/products/1274091>

## Environmental product compliance

### EU RoHS

Fulfills EU RoHS substance requirements	Yes, No exemptions
---	--------------------

### China RoHS

Environment friendly use period (EFUP)	EFUP-E
	No hazardous substances above the limits

### EU REACH SVHC

REACH candidate substance (CAS No.)	No substance above 0.1 wt%
-------------------------------------	----------------------------

### EF3.1 Climate Change

CO2e kg	0.087 kg CO2e
---------	---------------

Phoenix Contact 2026 © - all rights reserved  
<https://www.phoenixcontact.com>

Phoenix Contact USA  
586 Fulling Mill Road  
Middletown, PA 17057, United States  
(+717) 944-1300  
[info@phoenixcon.com](mailto:info@phoenixcon.com)