

# CK2,5-ED-0,75M AG - Crimp contact



1273666

<https://www.phoenixcontact.com/us/products/1273666>

Please be informed that the data shown in this PDF document is generated from our online catalog. Please find the complete data in the user documentation. Our general terms of use for downloads are valid.



Crimp contact, series: HC-M-06, Pin, turned

## Commercial data

Item number	1273666
Packing unit	100 pc
Minimum order quantity	100 pc
Sales key	BF65
Product key	AF7AID
GTIN	4063151464080
Weight per piece (including packing)	1.31 g
Weight per piece (excluding packing)	2.22 g
Customs tariff number	85366990
Country of origin	DE

# CK2,5-ED-0,75M AG - Crimp contact



1273666

<https://www.phoenixcontact.com/us/products/1273666>

## Technical data

### Notes

General	for HC-M-06..., HC-M-HV-, HC-M-08-, HC-M-20-, HC-A..., HC-B.., HC-BB..., HC-BBB..., and HC-HV contact carriers
---------	--

### Product properties

Product type	Crimp contact
Series	HC-M-06
	HC-M-HV
	HC-M-08
	HC-A
	HC-BB
	HC-B
	HC-HV
	HC-M-20
	HC-K
	HC-BBB
	HC-Q
HC-COM	
Contact material type	turned

### Connection data

#### Connection technology

Contact connection type	Pin
-------------------------	-----

### Mechanical properties

#### Mechanical data

Insertion/withdrawal cycles	≥ 500
-----------------------------	-------

### Environmental and real-life conditions

#### Ambient conditions

Ambient temperature (operation)	-40 °C ... 125 °C
---------------------------------	-------------------

# CK2,5-ED-0,75M AG - Crimp contact

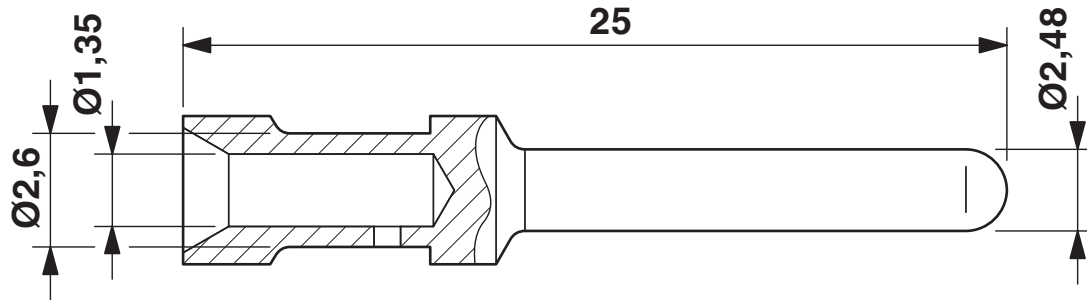


1273666

<https://www.phoenixcontact.com/us/products/1273666>

## Drawings

Dimensional drawing



Dimensional drawing

# CK2,5-ED-0,75M AG - Crimp contact



1273666

<https://www.phoenixcontact.com/us/products/1273666>

## Classifications

### ECLASS

ECLASS-13.0	27440204
ECLASS-15.0	27440204

### ETIM

ETIM 9.0	EC000796
----------	----------

### UNSPSC

UNSPSC 21.0	39121500
-------------	----------

# CK2,5-ED-0,75M AG - Crimp contact



1273666

<https://www.phoenixcontact.com/us/products/1273666>

## Environmental product compliance

### EU RoHS

Fulfills EU RoHS substance requirements	Yes, No exemptions
---	--------------------

### China RoHS

Environment friendly use period (EFUP)	EFUP-E
	No hazardous substances above the limits

### EU REACH SVHC

REACH candidate substance (CAS No.)	No substance above 0.1 wt%
-------------------------------------	----------------------------

### EF3.1 Climate Change

CO2e kg	0.02 kg CO2e
---------	--------------

Phoenix Contact 2026 © - all rights reserved  
<https://www.phoenixcontact.com>

Phoenix Contact USA  
586 Fulling Mill Road  
Middletown, PA 17057, United States  
(+717) 944-1300  
[info@phoenixcon.com](mailto:info@phoenixcon.com)