

CK2,5-ED-2,50M AG - Crimp contact



1273663

<https://www.phoenixcontact.com/us/products/1273663>

Please be informed that the data shown in this PDF document is generated from our online catalog. Please find the complete data in the user documentation. Our general terms of use for downloads are valid.



Crimp contact, series: HC-M-06, Pin, turned

Commercial data

Item number	1273663
Packing unit	100 pc
Minimum order quantity	100 pc
Sales key	BF65
Product key	AF7AID
GTIN	4063151465636
Weight per piece (including packing)	1.305 g
Weight per piece (excluding packing)	1.305 g
Customs tariff number	85366990
Country of origin	DE

CK2,5-ED-2,50M AG - Crimp contact



1273663

<https://www.phoenixcontact.com/us/products/1273663>

Technical data

Notes

General	for HC-M-06..., HC-M-HV-, HC-M-08-, HC-M-20-, HC-A..., HC-B.., HC-BB..., HC-BBB..., and HC-HV contact carriers
---------	----------------------------------------------------------------------------------------------------------------

Product properties

Product type	Crimp contact
Series	HC-M-06
	HC-M-HV
	HC-M-08
	HC-A
	HC-BB
	HC-B
	HC-HV
	HC-M-20
	HC-K
	HC-BBB
	HC-Q
HC-COM	
Contact material type	turned

Connection data

Connection technology

Contact connection type	Pin
-------------------------	-----

Mechanical properties

Mechanical data

Insertion/withdrawal cycles	≥ 500
-----------------------------	-------

Environmental and real-life conditions

Ambient conditions

Ambient temperature (operation)	-40 °C ... 125 °C
---------------------------------	-------------------

CK2,5-ED-2,50M AG - Crimp contact

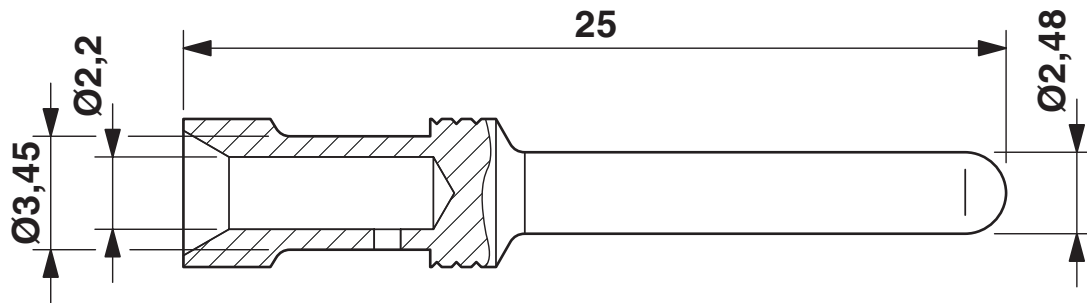


1273663

<https://www.phoenixcontact.com/us/products/1273663>

Drawings

Dimensional drawing



Dimensional drawing

CK2,5-ED-2,50M AG - Crimp contact



1273663

<https://www.phoenixcontact.com/us/products/1273663>

Classifications

ECLASS

ECLASS-13.0	27440204
ECLASS-15.0	27440204

ETIM

ETIM 9.0	EC000796
----------	----------

UNSPSC

UNSPSC 21.0	39121500
-------------	----------

CK2,5-ED-2,50M AG - Crimp contact



1273663

<https://www.phoenixcontact.com/us/products/1273663>

Environmental product compliance

EU RoHS

Fulfills EU RoHS substance requirements	Yes, No exemptions
-----------------------------------------	--------------------

China RoHS

Environment friendly use period (EFUP)	EFUP-E
	No hazardous substances above the limits

EU REACH SVHC

REACH candidate substance (CAS No.)	No substance above 0.1 wt%
-------------------------------------	----------------------------

Phoenix Contact 2026 © - all rights reserved
<https://www.phoenixcontact.com>

Phoenix Contact USA
586 Fulling Mill Road
Middletown, PA 17057, United States
(+717) 944-1300
info@phoenixcon.com