

CK2,5-ED-0,37M AU - Crimp contact



1273603

<https://www.phoenixcontact.com/us/products/1273603>

Please be informed that the data shown in this PDF document is generated from our online catalog. Please find the complete data in the user documentation. Our general terms of use for downloads are valid.



Crimp contact, series: HC-M-06, Pin, turned

Commercial data

Item number	1273603
Packing unit	100 pc
Minimum order quantity	100 pc
Sales key	BF65
Product key	AF7AID
GTIN	4063151465285
Weight per piece (including packing)	1.232 g
Weight per piece (excluding packing)	1.232 g
Customs tariff number	85366990
Country of origin	DE

CK2,5-ED-0,37M AU - Crimp contact



1273603

<https://www.phoenixcontact.com/us/products/1273603>

Technical data

Product properties

Product type	Crimp contact
Series	HC-M-06
	HC-M-HV
	HC-M-08
	HC-A
	HC-BB
	HC-B
	HC-HV
	HC-M-20
	HC-K
	HC-BBB
	HC-Q
	HC-COM
	HC-M-EMV
Contact material type	turned

Connection data

Connection technology

Contact connection type	Pin
-------------------------	-----

Mechanical properties

Mechanical data

Insertion/withdrawal cycles	≥ 500
-----------------------------	-------

Environmental and real-life conditions

Ambient conditions

Ambient temperature (operation)	-40 °C ... 125 °C
---------------------------------	-------------------

CK2,5-ED-0,37M AU - Crimp contact

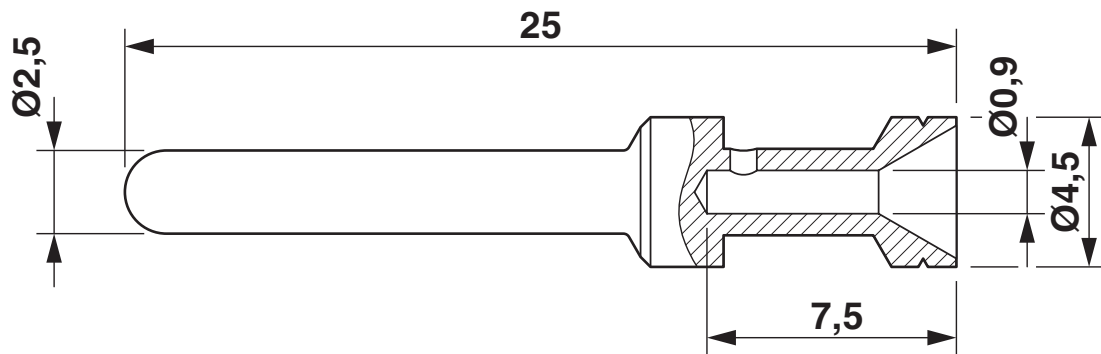


1273603

<https://www.phoenixcontact.com/us/products/1273603>

Drawings

Dimensional drawing



Dimensional drawing

CK2,5-ED-0,37M AU - Crimp contact



1273603

<https://www.phoenixcontact.com/us/products/1273603>

Classifications

ECLASS

ECLASS-13.0	27440204
ECLASS-15.0	27440204

ETIM

ETIM 9.0	EC000796
----------	----------

UNSPSC

UNSPSC 21.0	39121500
-------------	----------

CK2,5-ED-0,37M AU - Crimp contact



1273603

<https://www.phoenixcontact.com/us/products/1273603>

Environmental product compliance

EU RoHS

Fulfills EU RoHS substance requirements	Yes, No exemptions
---	--------------------

China RoHS

Environment friendly use period (EFUP)	EFUP-E
	No hazardous substances above the limits

EU REACH SVHC

REACH candidate substance (CAS No.)	No substance above 0.1 wt%
-------------------------------------	----------------------------

EF3.1 Climate Change

CO2e kg	0.19 kg CO2e
---------	--------------

Phoenix Contact 2026 © - all rights reserved
<https://www.phoenixcontact.com>

Phoenix Contact USA
586 Fulling Mill Road
Middletown, PA 17057, United States
(+717) 944-1300
info@phoenixcon.com