

SACB-6/ 6-L-15,0PUR SCO P - Distributor box



1272127

<https://www.phoenixcontact.com/us/products/1272127>

Please be informed that the data shown in this PDF document is generated from our online catalog. Please find the complete data in the user documentation. Our general terms of use for downloads are valid.



Distributor box, application: Standard, number of slots: 6, number of positions: 4, status display: yes; master cable connection: Fixed connection, PUR/PVC, cable length: 15 m, shielding: no

Your advantages

- Safety in the field, thanks to molded housing and high degree of protection
- Convenient: increased machine availability thanks to quick and easy diagnostics
- Save time, thanks to installation with SPEEDCON fast locking system

Commercial data

Item number	1272127
Packing unit	1 pc
Minimum order quantity	1 pc
Product key	AF3CBA
GTIN	4063151464134
Weight per piece (including packing)	1,658 g
Weight per piece (excluding packing)	1,658 g
Country of origin	DE

Technical data

Notes

Assembly note	NOTE: Observe the permissible bending radii when routing cables, since the degree of protection may be at risk if the bending forces are too high. Reduce mechanical loads upstream of the connector, e.g., by using cable ties.
Note on application	Unused slots are to be sealed off prior to commissioning. Suitable sealing elements are to be found under "Accessories".

Product properties

Product type	Distributor box
Application	Standard
Number of positions	4
Number of slots	6

Electrical properties

Max. operating voltage U_{max}	30 V DC
Nominal voltage U_N	24 V DC
Rated current, total	12 A
Max. current carrying capacity per path	2 A
Current carrying capacity per slot	4 A

Signaling

Status display present	yes
------------------------	-----

Cable/line

Cable length	15 m
--------------	------

PUR/PVC black [PUR]

Dimensional drawing	
Cable weight	96.6 kg/km
UL AWM Style	20549
Number of positions	9
Shielded	no
Cable type	PUR/PVC black [PUR]
Conductor structure signal line	19x 0.15 mm
AWG signal line	22

SACB-6/ 6-L-15,0PUR SCO P - Distributor box



1272127

<https://www.phoenixcontact.com/us/products/1272127>

Conductor structure, voltage supply	42x 0.15 mm
AWG power supply	18
Conductor cross-section	6x 0.34 mm ² (Signal line)
	3x 0.75 mm ² (power line)
Wire diameter incl. insulation	1.3 mm ±0.1 mm (Signal line)
	1.8 mm ±0.1 mm (power line)
External cable diameter	8.00 mm ±0.2 mm
Outer sheath, material	PUR
External sheath, color	black RAL 9005
Conductor material	Bare Cu litz wires
Material wire insulation	PVC
Single wire, color	brown, blue, green/yellow, white, green, yellow, gray, pink, red
Thickness, insulation	≥ 0.15 mm (Inner sheath)
	≥ 0.38 mm (Outer cable sheath)
Overall twist	Wires twisted in layers
Nominal voltage, cable	300 V
Test voltage	2000 V
Minimum bending radius, fixed installation	7.5 x D
Minimum bending radius, flexible installation	10 x D
Smallest bending radius, fixed installation	60 mm
Smallest bending radius, movable installation	80 mm
Dynamic load capacity (bending)	Max. bending cycles: 1500000, Bending radius: 80 mm, Traversing path: 2 m, Traversing rate: 2 m/s
Flame resistance	DIN EN 50265
Resistance to oil	according to VDE 0472 Part 803
Other resistance	Highly resistant to acids, alkaline solutions and solvents
Special properties	Silicone-free
Ambient temperature (operation)	-40 °C ... 90 °C (cable, fixed installation)
	-5 °C ... 80 °C (Cable, flexible installation)
	80 °C (in acc. with UL)

Environmental and real-life conditions

Ambient conditions

Degree of protection	IP65
	IP67

Standards and regulations

Standard designation	M12 connector
Standards/specifications	IEC 61076-2-101

SACB-6/ 6-L-15,0PUR SCO P - Distributor box

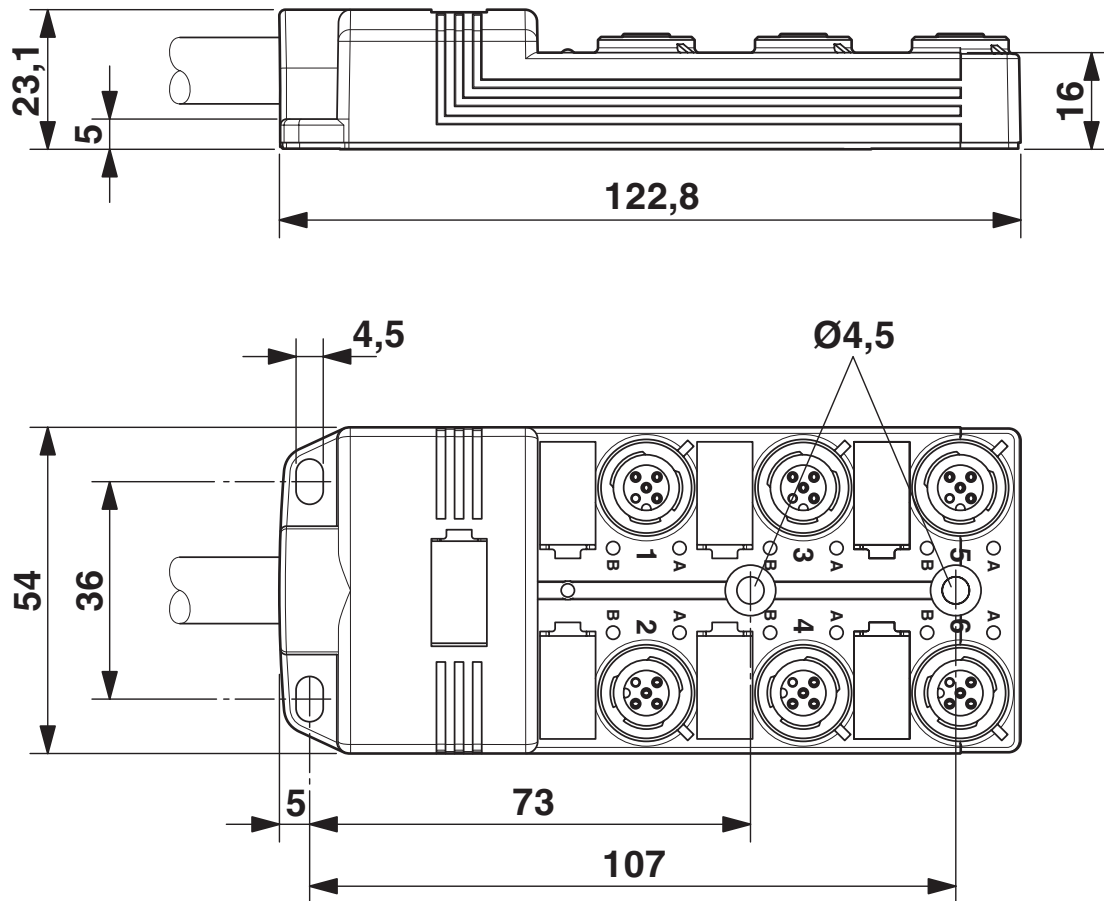


1272127

<https://www.phoenixcontact.com/us/products/1272127>

Drawings

Dimensional drawing



SACB-6/ 6-L-15,0PUR SCO P - Distributor box

1272127

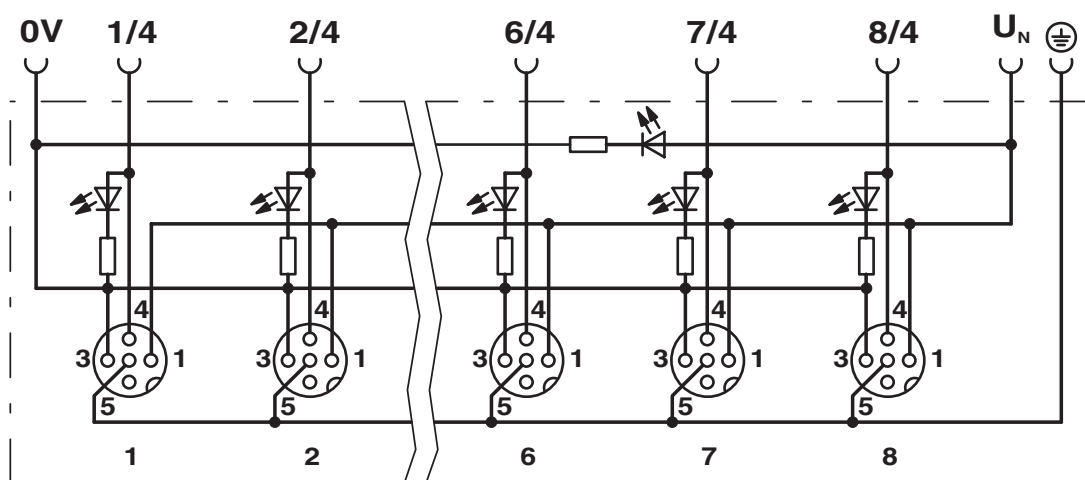
<https://www.phoenixcontact.com/us/products/1272127>

Schematic diagram



M12 slot, socket, 4-pos.

Circuit diagram



SACB-6/ 6-L-15,0PUR SCO P - Distributor box



1272127

<https://www.phoenixcontact.com/us/products/1272127>

Classifications

ECLASS

ECLASS-15.0	27440108
ECLASS-13.0	27440108

ETIM

ETIM 10.0	EC002585
-----------	----------

UNSPSC

UNSPSC 21.0	31251500
-------------	----------

SACB-6/ 6-L-15,0PUR SCO P - Distributor box



1272127

<https://www.phoenixcontact.com/us/products/1272127>

Environmental product compliance

EU RoHS

Fulfills EU RoHS substance requirements	Yes, No exemptions
---	--------------------

China RoHS

Environment friendly use period (EFUP)	EFUP-E
	No hazardous substances above the limits

EU REACH SVHC

REACH candidate substance (CAS No.)	No substance above 0.1 wt%
-------------------------------------	----------------------------

Phoenix Contact 2026 © - all rights reserved
<https://www.phoenixcontact.com>

Phoenix Contact USA
586 Fulling Mill Road
Middletown, PA 17057, United States
(+717) 944-1300
info@phoenixcon.com