

EEM-PM157-SLP - Measuring device



1269236

<https://www.phoenixcontact.com/us/products/1269236>

Please be informed that the data shown in this PDF document is generated from our online catalog. Please find the complete data in the user documentation. Our general terms of use for downloads are valid.



Direct current energy meter with direct measurement up to 1000 V/650 A, with RS-485 interfaces for the programming software and the DC charging controller, correction of charging cable losses, operating temperature up to +80°C, certified for billing purposes

Commercial data

Item number	1269236
Packing unit	1 pc
Minimum order quantity	1 pc
Sales key	C446
Product key	CMMC31
GTIN	4063151421748
Weight per piece (including packing)	505.5 g
Weight per piece (excluding packing)	500 g
Customs tariff number	90303100
Country of origin	DE

Technical data

Product properties

Product type	Energy meter
Product family	EMpro
Number (Charging processes)	> 225000 (Start- and stop-charge records)
Number (Capacity of calibration log)	> 2500

Insulation characteristics

Overvoltage category	III
Degree of pollution	2

Display

Display type	Dot Matrix LCD
--------------	----------------

Electrical properties

Accuracy class	B (EN 50470-3)
	1 (IEC 62053-41)
Compensation parameters	0 Ω ... 0.1 Ω
Electric strength	3521 V (IEC 61851-23, EN 62052-31)

Supply

Supply voltage range	19.2 V DC ... 36 V DC
----------------------	-----------------------

Input data

Measurement

Input voltage range	150 V DC ... 1000 V DC
Input current range	6.5 A ... 650 A (Direct measurement)
Power consumption	< 5 W
	< 0.5 W (U_N)
	< 0.12 W (I_{max})
Startup current I_{st}	0.52 A
Minimum current I_{min}	6.5 A
Limiting current I_{max}	650 A
Transient current I_{tr}	13 A
Reference current I_{ref}	130 A

Output data

Pulse LED	1000 imp/kWh (Metrological LED)
-----------	---------------------------------

Connection data

Voltage

Designation	Voltage
-------------	---------

Conductor connection

EEM-PM157-SLP - Measuring device



1269236

<https://www.phoenixcontact.com/us/products/1269236>

Connection method	Screw connection
rigid	0.75 mm ² ... 1.5 mm ²
flexible	0.75 mm ² ... 1.5 mm ²
AWG	20 ... 16
Tightening torque	0.5 Nm ... 0.6 Nm

Current

Designation	Current
-------------	---------

Conductor connection

Connection method	Screw connection
Tightening torque	17.5 Nm ... 20 Nm
Screw thread	M8
	M10

Interfaces

Communication

Communication protocol	Serial Line Internet Protocol (SLIP)
Communication standard	RS-485
Connection method	RJ12
Transmission speed range	9600 bps ... 115200 bps (adjustable)

Dimensions

Item dimensions

Width	107.2 mm
Height	115.6 mm
Depth	66.75 mm

Environmental and real-life conditions

Ambient conditions

Degree of protection	IP20
Ambient temperature (operation)	-40 °C ... 80 °C
Ambient temperature (storage/transport)	-40 °C ... 85 °C
Altitude	≤ 2000 m
Max. permissible relative humidity (operation)	97.5 % (non-condensing)
Mechanical environment	M1
EMC environment	E2

Approvals

CE

Certificate	CE-compliant
-------------	--------------

Calibration law

Certificate	Conforms to calibration law
-------------	-----------------------------

EEM-PM157-SLP - Measuring device



1269236

<https://www.phoenixcontact.com/us/products/1269236>

UL data

Operating mode	Indoor use
----------------	------------

Standards and regulations

Standards/specifications	EN 50470-1
	EN 50470-3
Standards/specifications	IEC 62052-41
Standards/specifications	DIN EN 62052-11
Standards/specifications	VDE-AR-E 2418-3-100
Standards/specifications	EN 62053-41
Standards/specifications	OCMF 1.0
Standards/specifications	PTB-A 20.1
Standards/specifications	PTB-A 50.7

Mounting

Mounting type	NS 35 ...
Mounting position	Horizontal DIN rail

EEM-PM157-SLP - Measuring device

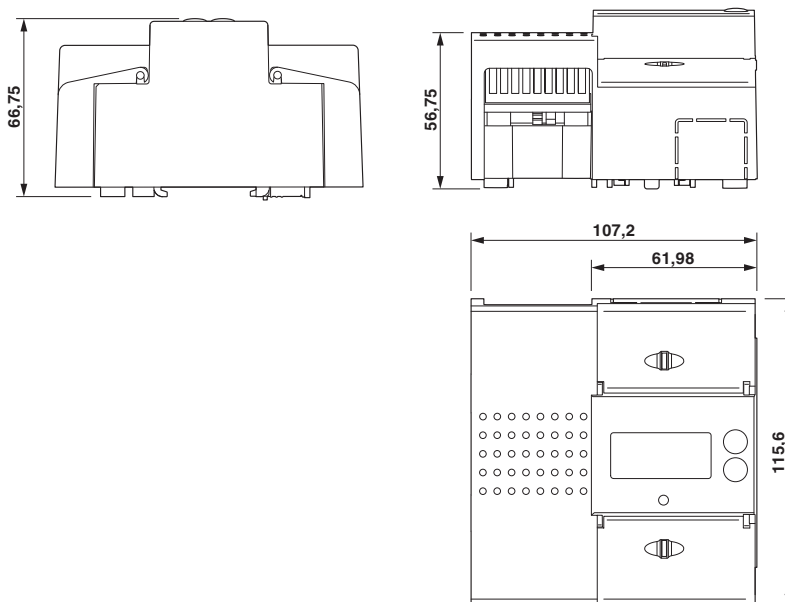


1269236

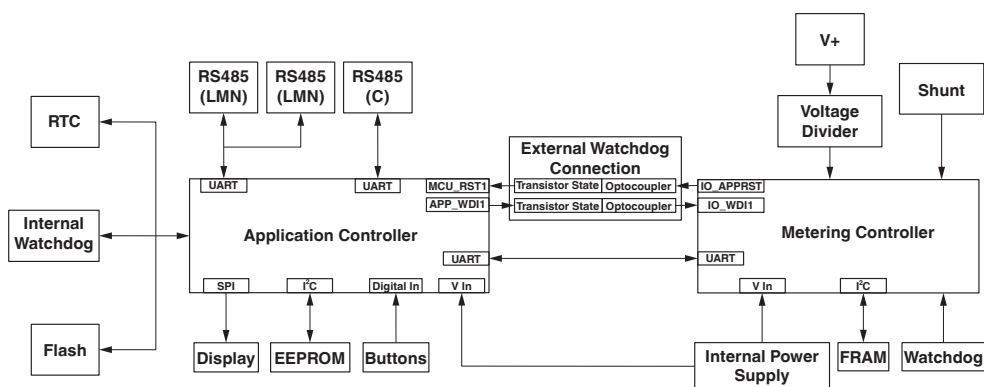
<https://www.phoenixcontact.com/us/products/1269236>

Drawings

Dimensional drawing



Block diagram



Block diagram

EEM-PM157-SLP - Measuring device



1269236

<https://www.phoenixcontact.com/us/products/1269236>

Approvals

🔗 To download certificates, visit the product detail page: <https://www.phoenixcontact.com/us/products/1269236>

PTB-BG

Approval ID: DE-23-M-PTB-0021

EEM-PM157-SLP - Measuring device



1269236

<https://www.phoenixcontact.com/us/products/1269236>

Classifications

ECLASS

ECLASS-13.0	27142330
ECLASS-15.0	27142330

ETIM

ETIM 10.0	EC002301
-----------	----------

UNSPSC

UNSPSC 21.0	41113600
-------------	----------

EEM-PM157-SLP - Measuring device



1269236

<https://www.phoenixcontact.com/us/products/1269236>

Environmental product compliance

EU RoHS

Fulfills EU RoHS substance requirements	Yes
Exemption	6(c), 7(c)-I

China RoHS

Environment friendly use period (EFUP)	EFUP-50
	An article-related China RoHS declaration table can be found in the download area for the respective article under "Manufacturer declaration". For all articles with EFUP-E, no China RoHS declaration table issued and required.

EU REACH SVHC

REACH candidate substance (CAS No.)	Lead(CAS: 7439-92-1)
SCIP	1957fd60-0c59-4233-a22e-74f113e41f68

Phoenix Contact 2026 © - all rights reserved

<https://www.phoenixcontact.com>

Phoenix Contact USA
586 Fulling Mill Road
Middletown, PA 17057, United States
(+717) 944-1300
info@phoenixcon.com