

HC-STA-B24/B16-CESFD-PL-BK - Housing



1252472

<https://www.phoenixcontact.com/us/products/1252472>

Please be informed that the data shown in this PDF document is generated from our online catalog. Please find the complete data in the user documentation. Our general terms of use for downloads are valid.



Sleeve housing B24, for double locking latch, material: PA, straight, height: 99.5 mm, cable gland: none, Adapter sleeve for the CES cable entry system, Can be optimally combined with modular contact inserts

Product description

Adapter sleeve for combining the CES cable entry system with the pluggability of a HEAVYCON housing. By combining the CES cable entry system and the adapter sleeve, several conductors can be conveniently inserted into a connector.

Your advantages

- Labeling option using 9 x 20 mm marking label
- Simple assembly of multiple cables in a HEAVYCON housing
- Halogen-free plastic
- Marking label can be attached

Commercial data

| | |
|--------------------------------------|---------------|
| Item number | 1252472 |
| Packing unit | 1 pc |
| Minimum order quantity | 1 pc |
| Sales key | BF67 |
| Product key | AF7CZX |
| GTIN | 4063151360610 |
| Weight per piece (including packing) | 221.33 g |
| Weight per piece (excluding packing) | 211.05 g |
| Customs tariff number | 85389099 |
| Country of origin | CN |

1252472

<https://www.phoenixcontact.com/us/products/1252472>

Technical data

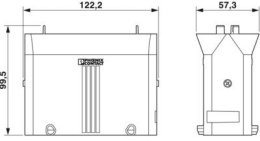
Notes

| | |
|---------|------------------------------|
| General | For module carrier frame B24 |
|---------|------------------------------|

Product properties

| | |
|---------------------|----------------------------|
| Product type | Housing with locking latch |
| Housing type | Sleeve housing |
| Type | B24 |
| Cable outlet | straight |
| Pg screw connection | none |

Dimensions

| | |
|---------------------|---|
| Dimensional drawing |  |
| Width | 57.3 mm |
| Height | 99.5 mm |
| Length | 122.2 mm |

Material specifications

| | |
|------------------|----|
| Housing material | PA |
|------------------|----|

Mechanical properties

Mechanical data

| | |
|--------------|-----|
| Locking type | Pin |
|--------------|-----|

Mounting

| | |
|---------------|--|
| Assembly note | The housing has to be extended by the B16 sealing frame with screw locking mechanism (Item No. 0801659). When combined with the sealing frame with screw locking mechanism, a simple assembly of multiple cables in a single HC housing is possible. |
|---------------|--|

Environmental and real-life conditions

Ambient conditions

| | |
|---------------------------------|-------------------|
| Degree of protection | IP54 |
| Ambient temperature (operation) | -40 °C ... 125 °C |

HC-STA-B24/B16-CESFD-PL-BK - Housing

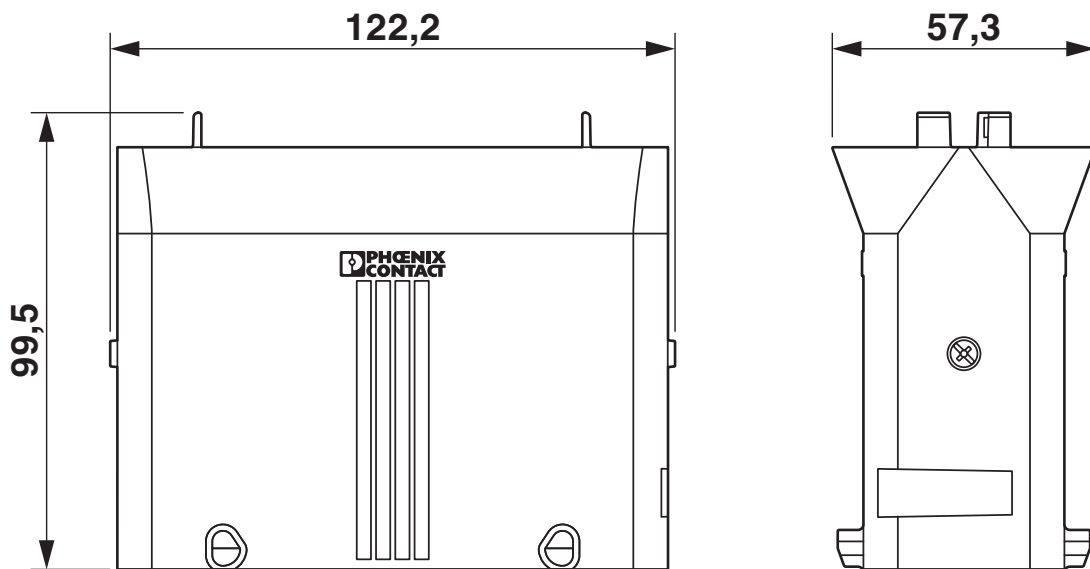
1252472

<https://www.phoenixcontact.com/us/products/1252472>



Drawings

Dimensional drawing



Dimensional drawing

HC-STA-B24/B16-CESFD-PL-BK - Housing



1252472

<https://www.phoenixcontact.com/us/products/1252472>

Approvals

To download certificates, visit the product detail page: <https://www.phoenixcontact.com/us/products/1252472>



UL Recognized

Approval ID: E255026



cUL Recognized

Approval ID: E255026

HC-STA-B24/B16-CESFD-PL-BK - Housing



1252472

<https://www.phoenixcontact.com/us/products/1252472>

Classifications

ECLASS

| | |
|-------------|----------|
| ECLASS-15.0 | 27440202 |
| ECLASS-13.0 | 27440202 |

ETIM

| | |
|-----------|----------|
| ETIM 10.0 | EC000437 |
|-----------|----------|

UNSPSC

| | |
|-------------|----------|
| UNSPSC 21.0 | 31261500 |
|-------------|----------|

HC-STA-B24/B16-CESFD-PL-BK - Housing



1252472

<https://www.phoenixcontact.com/us/products/1252472>

Environmental product compliance

EU RoHS

| | |
|---|--------------------|
| Fulfills EU RoHS substance requirements | Yes, No exemptions |
|---|--------------------|

China RoHS

| | |
|--|--|
| Environment friendly use period (EFUP) | EFUP-E |
| | No hazardous substances above the limits |

EU REACH SVHC

| | |
|-------------------------------------|----------------------------|
| REACH candidate substance (CAS No.) | No substance above 0.1 wt% |
|-------------------------------------|----------------------------|

Phoenix Contact 2026 © - all rights reserved
<https://www.phoenixcontact.com>

Phoenix Contact USA
586 Fulling Mill Road
Middletown, PA 17057, United States
(+717) 944-1300
info@phoenixcon.com