

# HC-STA-RJ45GC-BWSC-ELAL - Connector set



1249560

<https://www.phoenixcontact.com/us/products/1249560>

Please be informed that the data shown in this PDF document is generated from our online catalog. Please find the complete data in the user documentation. Our general terms of use for downloads are valid.



Connector set, number of positions: 8, CAT6, material: Die-cast aluminum, salt water resistant, Gender changer

## Commercial data

Item number	1249560
Packing unit	1 pc
Minimum order quantity	1 pc
Sales key	BF63
Product key	AF7AFX
GTIN	4063151354855
Weight per piece (including packing)	45 g
Weight per piece (excluding packing)	45 g
Customs tariff number	85366990
Country of origin	CN

# HC-STA-RJ45GC-BWSC-ELAL - Connector set



1249560

<https://www.phoenixcontact.com/us/products/1249560>

## Set consists of

### HC-STA-D07-BWSCM-EL-AL - Housing

1419250

<https://www.phoenixcontact.com/us/products/1419250>



Panel mounting base D7, with single locking latch, material: Die-cast aluminum, salt water resistant, protective cover material: PA, height: 25.5 mm, cable gland: none, protective cover: yes, Standard, for pin inserts

---

### HC-Q-I-RJ45 GC-F/F - Contact insert

1422590

<https://www.phoenixcontact.com/us/products/1422590>



Contact insert, number of positions: RJ45, size: D7, type : RJ45, Socket, 50 V, 1 A, application: Data, Gender changer

1249560

<https://www.phoenixcontact.com/us/products/1249560>

## Technical data

### Product properties

Product type	Connector set
Housing type	Panel mounting base
Series	HC-D
Application	Data
Type	D7
Number of positions	8
Connection profile	RJ45
Protective cover	yes

### Insulation characteristics

Overvoltage category	III
Degree of pollution	3

### Electrical properties

Rated voltage (III/3)	50 V
Rated surge voltage	0.8 kV
Rated current	1 A
Insulation resistance	100 MΩ
Nominal voltage $U_N$	50 V
Transmission characteristics (category)	CAT6

### Connection data

Conductor cross-section	0.14 mm <sup>2</sup> ... 2.5 mm <sup>2</sup>
	0.14 mm <sup>2</sup> ... 2.5 mm <sup>2</sup>

### Interfaces

Signal type/category	Ethernet CAT6
----------------------	---------------

### Material specifications

Material Protective cover	PA
Flammability rating according to UL 94	V0
Seal material	NBR
Housing material	Die-cast aluminum, salt water resistant
Contact material	Copper alloy
Contact surface material	Au
Contact carrier material	PC
Locking latch material	PA

### Cable/line

Signal type/category	Ethernet CAT6
----------------------	---------------

# HC-STA-RJ45GC-BWSC-ELAL - Connector set



1249560

<https://www.phoenixcontact.com/us/products/1249560>

## Environmental and real-life conditions

### Ambient conditions

Degree of protection	IP66
Impact strength	IK06
Ambient temperature (operation)	-40 °C ... 70 °C

## Mounting

Mounting type	Panel mounting
---------------	----------------

# HC-STA-RJ45GC-BWSC-ELAL - Connector set

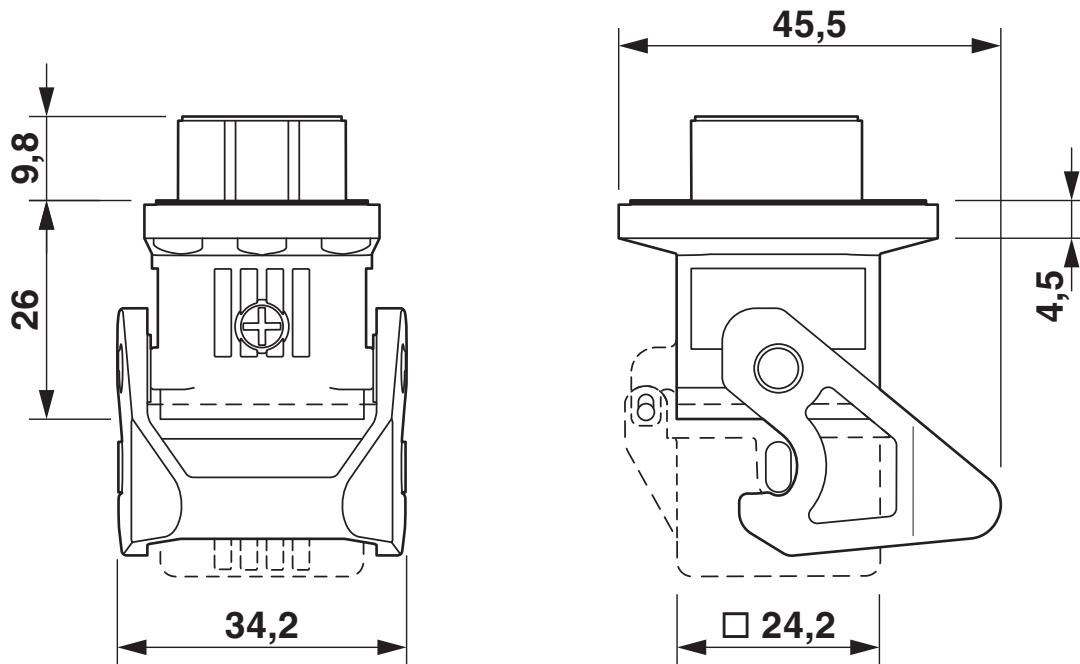


1249560

<https://www.phoenixcontact.com/us/products/1249560>

## Drawings

Dimensional drawing



Dimensional drawing

# HC-STA-RJ45GC-BWSC-ELAL - Connector set



1249560

<https://www.phoenixcontact.com/us/products/1249560>

## Classifications

### ECLASS

ECLASS-13.0	27440113
ECLASS-15.0	27440113

### ETIM

ETIM 10.0	EC002636
-----------	----------

### UNSPSC

UNSPSC 21.0	39121400
-------------	----------

# HC-STA-RJ45GC-BWSC-ELAL - Connector set



1249560

<https://www.phoenixcontact.com/us/products/1249560>

## Environmental product compliance

### EU RoHS

Fulfills EU RoHS substance requirements	Yes, No exemptions
-----------------------------------------	--------------------

### China RoHS

Environment friendly use period (EFUP)	EFUP-E
	No hazardous substances above the limits

### EU REACH SVHC

REACH candidate substance (CAS No.)	No substance above 0.1 wt%
-------------------------------------	----------------------------

Phoenix Contact 2026 © - all rights reserved  
<https://www.phoenixcontact.com>

Phoenix Contact USA  
586 Fulling Mill Road  
Middletown, PA 17057, United States  
(+717) 944-1300  
[info@phoenixcon.com](mailto:info@phoenixcon.com)