

HC-STA-RJ45GC-BWSC-PLRBK - Connector set



1249559

<https://www.phoenixcontact.com/us/products/1249559>

Please be informed that the data shown in this PDF document is generated from our online catalog. Please find the complete data in the user documentation. Our general terms of use for downloads are valid.

Connector set, number of positions: 8, CAT6, material: PA, Gender changer



Your advantages

- Lower costs than metal version
- Labeling option using 9 x 20 mm marking label
- Low weight
- Lower risk of condensation

Commercial data

Item number	1249559
Packing unit	1 pc
Minimum order quantity	1 pc
Sales key	BF63
Product key	AF7AFX
GTIN	4063151355029
Weight per piece (including packing)	39.6 g
Weight per piece (excluding packing)	39.5 g
Customs tariff number	85366990
Country of origin	CN

HC-STA-RJ45GC-BWSC-PLRBK - Connector set



1249559

<https://www.phoenixcontact.com/us/products/1249559>

Set consists of

HC-STA-D07-BWSCM-PL-BK - Housing

1419278

<https://www.phoenixcontact.com/us/products/1419278>



Panel mounting base D7, with single locking latch, material: PA, protective cover material: PA, height: 25.5 mm, cable gland: none, protective cover: yes, Standard, for pin inserts

HC-Q-I-RJ45 GC-F/F - Contact insert

1422590

<https://www.phoenixcontact.com/us/products/1422590>



Contact insert, number of positions: RJ45, size: D7, type : RJ45, Socket, 50 V, 1 A, application: Data, Gender changer

1249559

<https://www.phoenixcontact.com/us/products/1249559>

Technical data

Product properties

Product type	Connector set
Housing type	Panel mounting base
Series	HC-D
Application	Data
Type	D7
Sensor type	Ethernet
Number of positions	8
Connection profile	RJ45
Protective cover	yes

Insulation characteristics

Overvoltage category	III
Degree of pollution	3

Electrical properties

Rated voltage (III/3)	50 V
Rated surge voltage	0.8 kV
Rated current	1 A
Insulation resistance	100 MΩ
Nominal voltage U_N	50 V
Transmission characteristics (category)	CAT6

Interfaces

Signal type/category	Ethernet CAT6
----------------------	---------------

Material specifications

Material Protective cover	PA
Flammability rating according to UL 94	V0
Seal material	NBR
Housing material	PA
Contact material	Copper alloy
Contact surface material	Au
Contact carrier material	PC
Locking latch material	PA

Cable/line

Signal type/category	Ethernet CAT6
External cable diameter	4 mm ... 7 mm

Environmental and real-life conditions

Ambient conditions

HC-STA-RJ45GC-BWSC-PLRBK - Connector set



1249559

<https://www.phoenixcontact.com/us/products/1249559>

Degree of protection	IP66
Impact strength	IK06
Ambient temperature (operation)	-40 °C ... 70 °C

Mounting

Mounting type	Panel mounting
---------------	----------------

HC-STA-RJ45GC-BWSC-PLRBK - Connector set

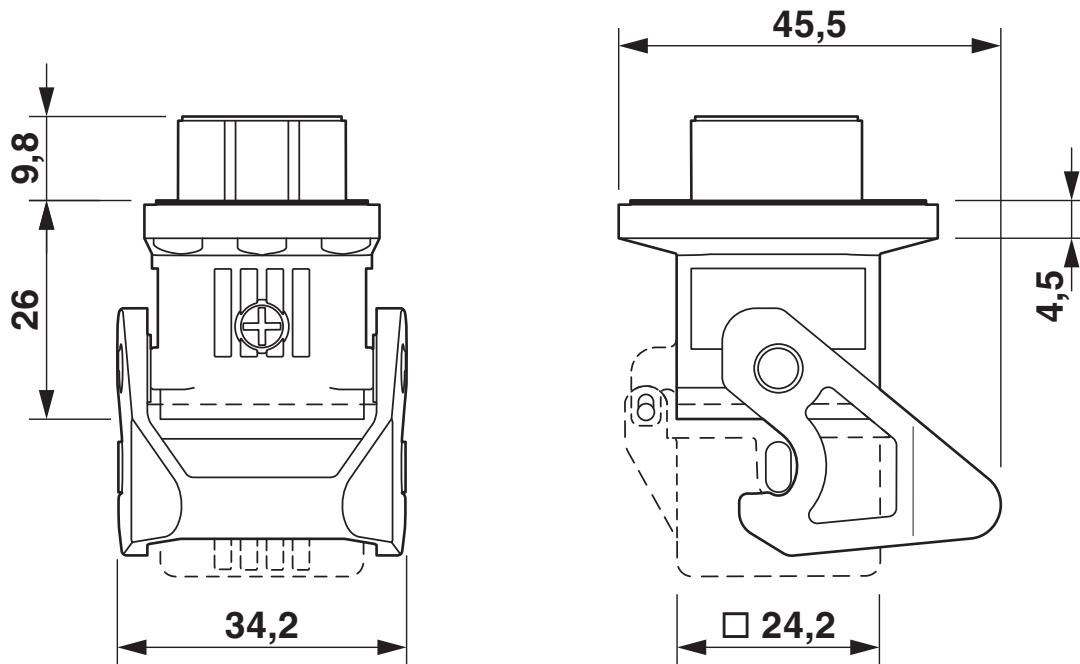


1249559

<https://www.phoenixcontact.com/us/products/1249559>

Drawings

Dimensional drawing



Dimensional drawing

HC-STA-RJ45GC-BWSC-PLRBK - Connector set



1249559

<https://www.phoenixcontact.com/us/products/1249559>

Classifications

ECLASS

ECLASS-13.0	27440113
ECLASS-15.0	27440113

ETIM

ETIM 10.0	EC002636
-----------	----------

UNSPSC

UNSPSC 21.0	39121400
-------------	----------

HC-STA-RJ45GC-BWSC-PLRBK - Connector set



1249559

<https://www.phoenixcontact.com/us/products/1249559>

Environmental product compliance

EU RoHS

Fulfills EU RoHS substance requirements	Yes, No exemptions
---	--------------------

China RoHS

Environment friendly use period (EFUP)	EFUP-E
	No hazardous substances above the limits

EU REACH SVHC

REACH candidate substance (CAS No.)	No substance above 0.1 wt%
-------------------------------------	----------------------------

Phoenix Contact 2026 © - all rights reserved
<https://www.phoenixcontact.com>

Phoenix Contact USA
586 Fulling Mill Road
Middletown, PA 17057, United States
(+717) 944-1300
info@phoenixcon.com