

HC-STA-RJ45PC-HT-M20-PLRBK - Connector set



1249556

<https://www.phoenixcontact.com/us/products/1249556>

Please be informed that the data shown in this PDF document is generated from our online catalog. Please find the complete data in the user documentation. Our general terms of use for downloads are valid.

Connector set, material: PA, cable outlet: straight, with slotted seal, with adapter for patch cables



Your advantages

- Lower costs than metal version
- Labeling option using 9 x 20 mm marking label
- Low weight
- Lower risk of condensation

Commercial data

Item number	1249556
Packing unit	1 pc
Minimum order quantity	1 pc
Sales key	BF63
Product key	AF7AFX
GTIN	4063151353667
Weight per piece (including packing)	31.2 g
Weight per piece (excluding packing)	31 g
Customs tariff number	85366990
Country of origin	CN

HC-STA-RJ45PC-HT-M20-PLRBK - Connector set



1249556

<https://www.phoenixcontact.com/us/products/1249556>

Set consists of

HC-Q-I-RJ45-AD-PC-M - Contact insert

1077120

<https://www.phoenixcontact.com/us/products/1077120>



Contact insert, number of positions: RJ45, size: D7, type : RJ45, Pin, 50 V, 1 A, application: Data, Adapter for patch cables

HC-STA-D07-HHFS-1TGM20-PL-BK - Housing

1419255

<https://www.phoenixcontact.com/us/products/1419255>



Sleeve housing D7, for single locking latch, material: PA, cable outlets: 1, straight, 1x M20, height: 77.6 mm, cable gland: with, Standard

1249556

<https://www.phoenixcontact.com/us/products/1249556>

Technical data

Notes

General	Connectors may be operated only when there is no load/voltage.
---------	--

Product properties

Product type	Connector set
Series	HC-D
Type	D7
Type of the screw connection	1x M20
Cable outlet	straight

Insulation characteristics

Degree of pollution	3
---------------------	---

Material specifications

Flammability rating according to UL 94	V0
Seal material	NBR
Housing material	PA
Contact carrier material	PC

Cable/line

External cable diameter	4 mm ... 7 mm
-------------------------	---------------

Mechanical properties

Mechanical data

Type of the screw connection	1x M20
------------------------------	--------

Environmental and real-life conditions

Ambient conditions

Degree of protection	IP66
Impact strength	IK06
Ambient temperature (operation)	-25 °C ... 60 °C

Mounting

Mounting type	Latching with lower housing part
---------------	----------------------------------

HC-STA-RJ45PC-HT-M20-PLRBK - Connector set

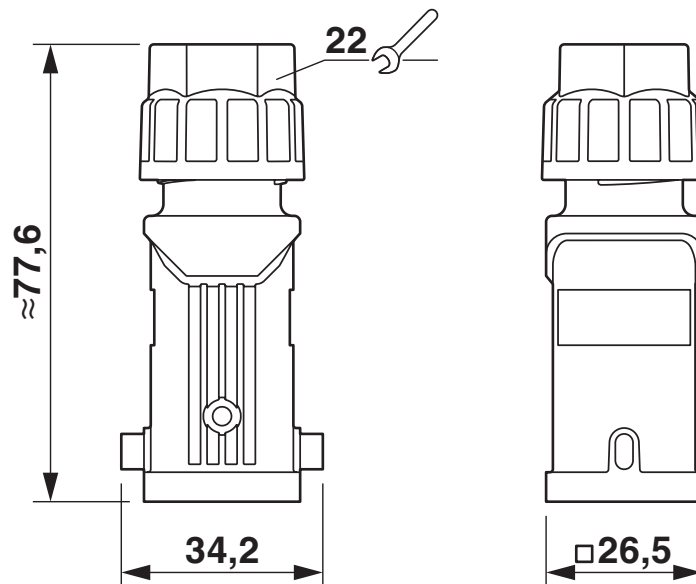


1249556

<https://www.phoenixcontact.com/us/products/1249556>

Drawings

Dimensional drawing



Dimensional drawing

HC-STA-RJ45PC-HT-M20-PLRBK - Connector set



1249556

<https://www.phoenixcontact.com/us/products/1249556>

Classifications

ECLASS

ECLASS-13.0	27440113
ECLASS-15.0	27440113

ETIM

ETIM 10.0	EC002636
-----------	----------

UNSPSC

UNSPSC 21.0	39121400
-------------	----------

HC-STA-RJ45PC-HT-M20-PLRBK - Connector set



1249556

<https://www.phoenixcontact.com/us/products/1249556>

Environmental product compliance

EU RoHS

Fulfills EU RoHS substance requirements	Yes, No exemptions
---	--------------------

China RoHS

Environment friendly use period (EFUP)	EFUP-E
	No hazardous substances above the limits

EU REACH SVHC

REACH candidate substance (CAS No.)	No substance above 0.1 wt%
-------------------------------------	----------------------------

Phoenix Contact 2026 © - all rights reserved
<https://www.phoenixcontact.com>

Phoenix Contact USA
586 Fulling Mill Road
Middletown, PA 17057, United States
(+717) 944-1300
info@phoenixcon.com